

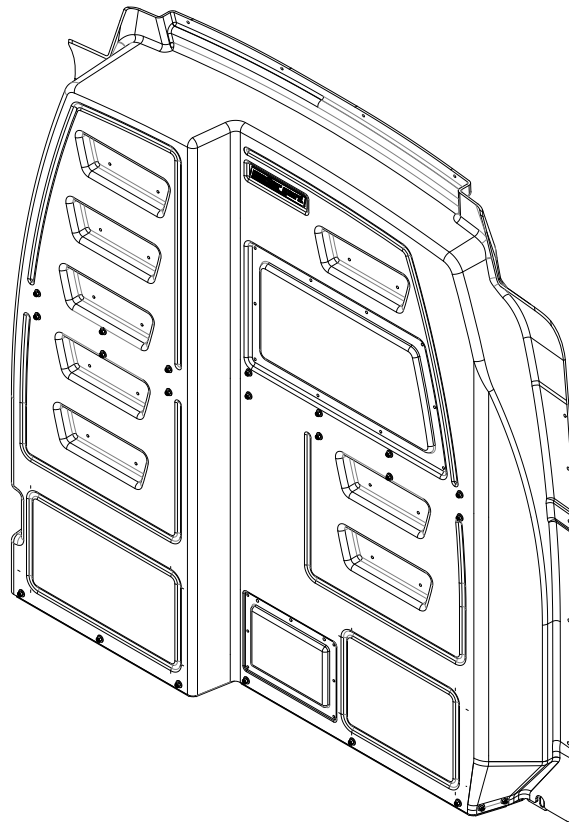
WWW.WEATHERGUARD.COM



VAN STORAGE SOLUTIONS  
FOR THE WAY YOU WORK™

**CAB/MAX™**  
COMPOSITE BULKHEAD

## INSTALLATION INSTRUCTIONS for MID & HIGH ROOF FORD TRANSIT COMPOSITE BULKHEAD



### MODELS 96310-3-01 AND 96320-3-01

Weather Guard / KNAACK  
420 E. Terra Cotta Ave.  
Crystal Lake, IL 60014 USA

800-456-7865 (Toll Free)  
800-334-2981 (Fax)  
Knaack.OrderEntry@wernerco.com

Weather Guard / KNAACK  
9133 Leslie St. Unit 105  
Richmond Hill, ON L4B4N1

888-562-2251 (Toll Free)  
888-456-8460 (Fax)  
Knaack.OrderEntry.Canada@wernerco.com

WWW.WEATHERGUARD.COM

**ATTENTION: PLEASE READ AND UNDERSTAND ALL INSTRUCTIONS AND WARNINGS BEFORE ASSEMBLING, INSTALLING OR USING THIS PRODUCT.**

## INSTALLATION GUIDELINES

- Installing your WEATHER GUARD® Composite Bulkhead for the Mid & High Roof Ford Transit is very clear cut following these instructions.
- Before cutting or drilling in the B-pillar, verify the location of the seat belt mechanism and electrical cables to prevent damaging vital components.
- Always wear protective eyewear to keep debris out of your eyes when installing WEATHER GUARD® Van Products.
- Tighten all M6 hardware to 76 in-lb when ready.
- A Window Accessory (96906-3-01) and a Dog Hatch™ Door Accessory (96908-3-01) are also available for this product. If installing either of these accessories, it is recommended that they be installed to the bulkhead before installing the bulkhead into the van.
- Additional Accessory Panels (96905-3-01) are also available.
- **This product is designed and intended for use on all wheelbases of Mid Roof (96310-3-01) and High Roof (96310-3-01 & 96320-3-01) Ford Transit vans.**

## OPERATION GUIDELINES

- Any modifications made to this product, or use of this product for any other purpose than its intended use, could create a hazardous condition that can cause serious personal injury or property damage.
- **At the end of the first week of use, check all of the fasteners for proper tightness and then check every three months thereafter.**

## HARDWARE KIT

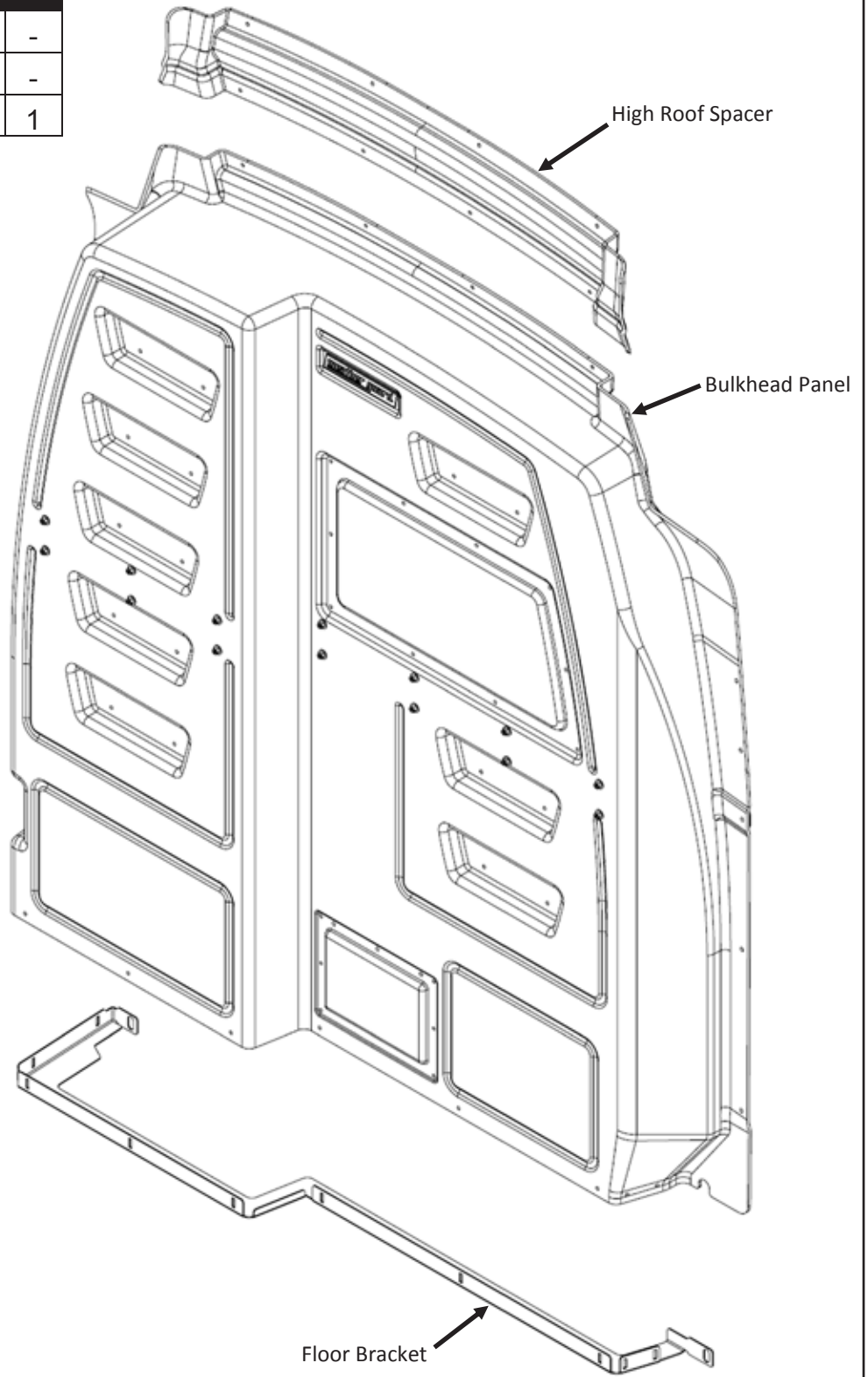
DESCRIPTION	96310-3-01	96320-3-01
	M6-1.0 Blind Fastener	9
M6-1.0 Nylon Lock Nut	10	4
M6-1.0 x 20mm Carriage Bolt	10	-
M6-1.0 x 20mm Bolt	-	4
M6-1.0 x 30mm Bolt	13	-
M6-1.0 x 50mm Bolt	1	-
1/4" Washer	23	4
Blind Fastener Installation Tool	1	-

## TOOLS REQUIRED

Ratchet  
 10mm Socket  
 13mm Socket  
 T30 Torx key/socket  
 Socket Extension(s)  
 10mm Wrench  
 9/16" Wrench  
 Drill  
 1/8" Drill Bit  
 5/16" Drill Bit  
 3/8" Drill Bit  
 Torque wrench

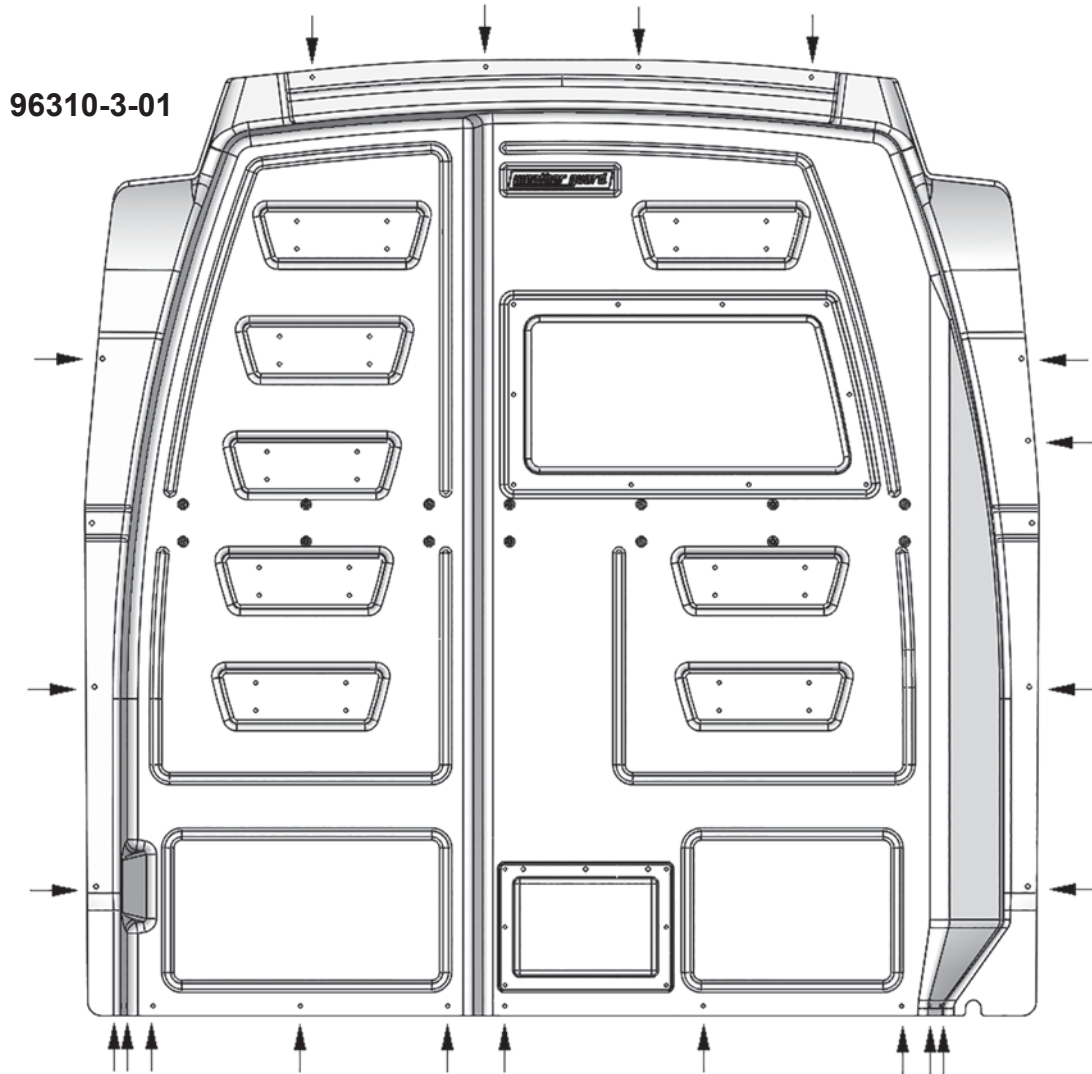
# PARTS LIST

DESCRIPTION	96310-3-01	96320-3-01
Floor Bracket	1	-
Bulkhead Panel	1	-
High Roof Spacer	-	1



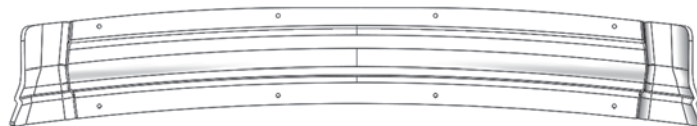
## BULKHEAD PREPARATION INSTRUCTIONS

**STEP 1.** Drill 5/16" holes in the bulkhead panel at the dimples along the sides, top, and bottom of the panel.



**STEP 1a.** If installing in a High Roof van, drill 5/16" holes in the High Roof Spacer at all 8 dimple locations.

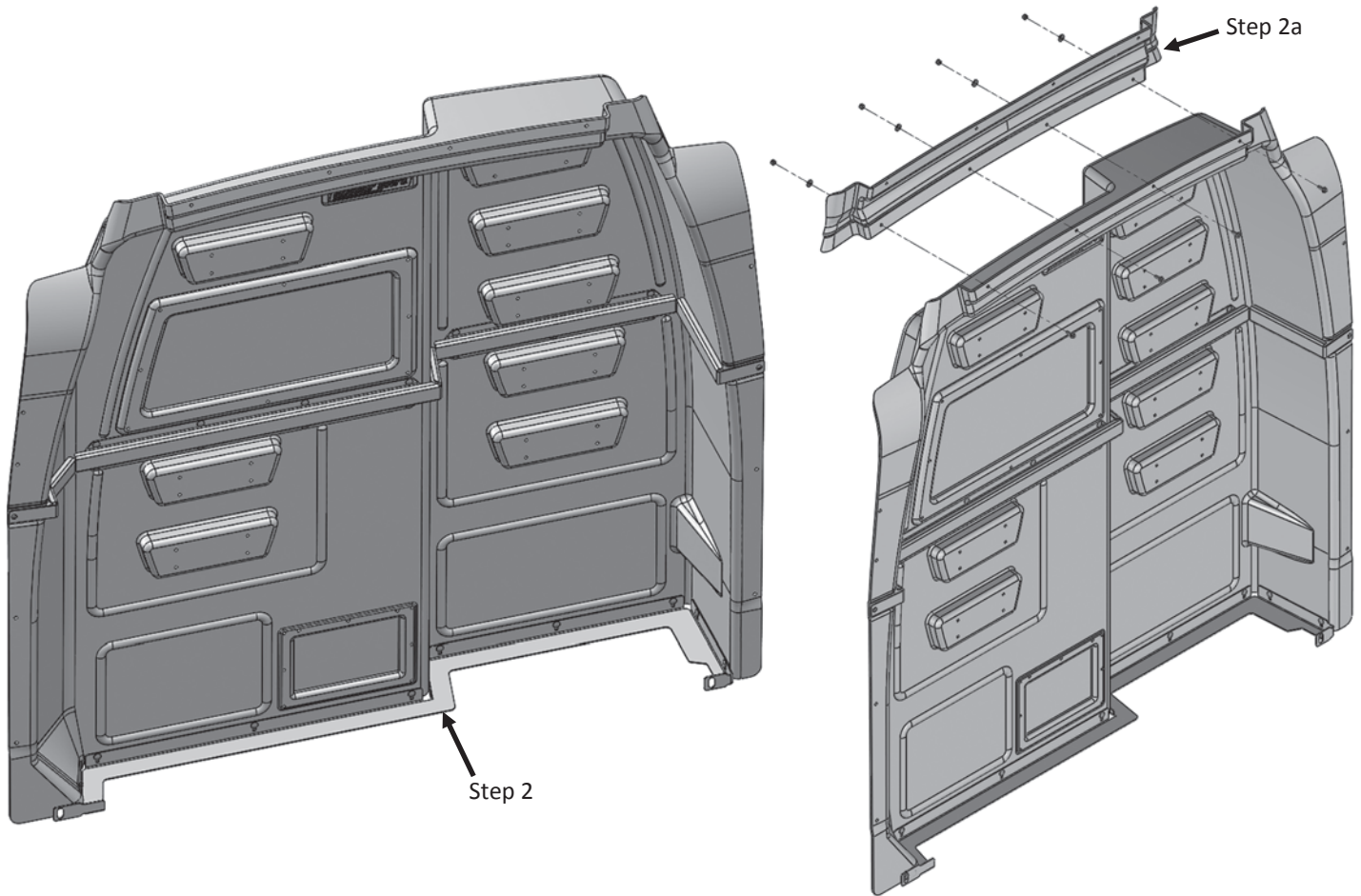
**96320-3-01**



## BULKHEAD & VAN PREPARATION INSTRUCTIONS

**STEP 2.** Loosely install the floor bracket to the bulkhead panel with 10 M6 carriage bolts, washers, and nylon lock nuts.

**STEP 2a.** If installing in a High Roof van, attach the High Roof Spacer to the panel using 4 M6 x 20mm bolts, washers, and nylon lock nuts.



**STEP 3.** Remove the D-Rings and Grab Handle from the B-pillar of the van (Keep for later use).

**STEP 3a.** If the van is equipped with a wall liner, the front bracket on the driver side will need to be removed from the B-Pillar behind the liner (see right image below).



Step 3—D-Rings



Step 3—Grab Handle

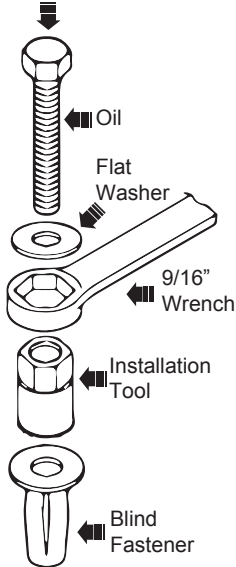


Step 3a—Front Liner Bracket

## VAN PREPARATION INSTRUCTIONS

**STEP 4.** Install 4 blind fasteners in the designated holes in the driver side B-pillar and 1 blind fastener in the designated hole in the passenger side B-Pillar (Some of the B-pillar holes are too small and will need to be drilled out to 3/8" first).

Use 10mm socket



### INSTALLATION PROCEDURE USING BLIND FASTENERS

Place a drop of oil on the M6-1.0 x 50mm bolt before assembling as shown on left.

Place the Blind Fastener in the hole and use a 10mm socket and driver to tighten the bolt until the Blind Fastener is fully seated.

When setting the bolt, it will start out tight. As the Blind Fastener "bulbs" out it will get easier, until it bottoms out or sets.

Make sure the Blind Fastener and the installation tool do not slip during the installation.



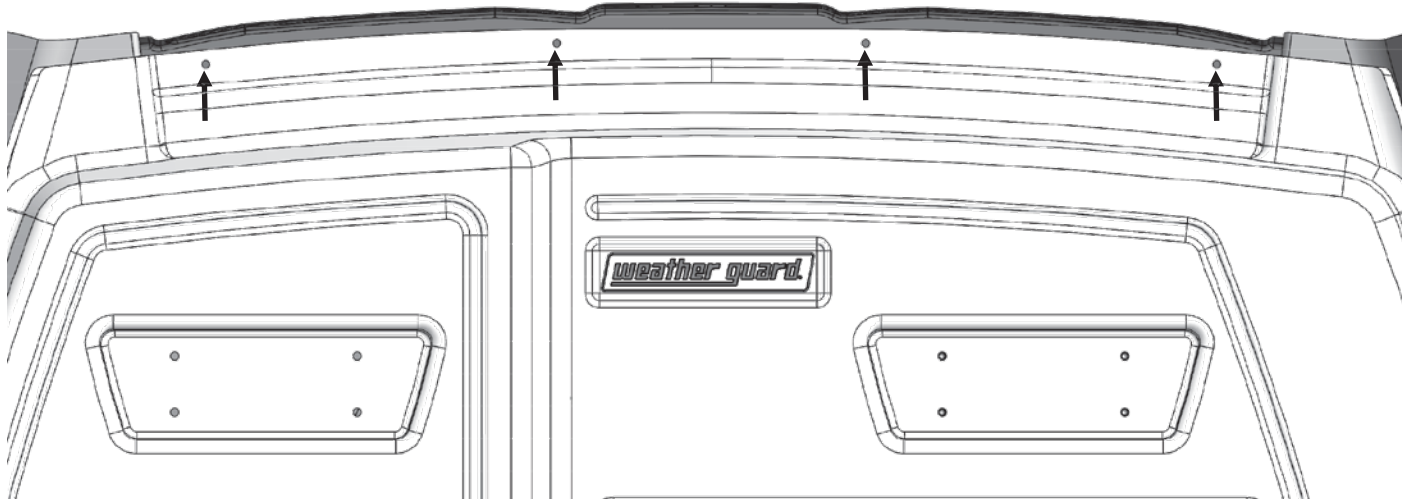
## VAN PREPARATION INSTRUCTIONS

**STEP 5.** Place the Bulkhead into the van against the B-pillar and loosely bolt the bulkhead in place using the holes that are in line with the reinforcement bracket (second from the top on the driver side and third from top on the passenger side)

**Note:** It may be easiest to press the driver side against the B-pillar first and attach its reinforcement bracket bolt, and then press the passenger side against the B-pillar and attach its reinforcement bracket bolt.



**STEP 6.** Mark the top bulkhead hole locations in the roof bow.



**STEP 7.** Remove the two bolts and pull the Bulkhead back out of the van or push it out of the way into the back of the van.

**STEP 8.** Drill 1/8" pilot holes in the marked locations in the roof bow and then re-drill with a 3/8" drill bit and install blind fasteners in them.

## BULKHEAD INSTALLATION INSTRUCTIONS

**STEP 9.** Set the Bulkhead back in place against the B-pillar of van and bolt in place as done in Step 5.

**STEP 10.** Loosely bolt the Grab Handle back in place over the Bulkhead using the OEM hardware.



**STEP 11.** Loosely bolt the D-Rings back in place through the floor bracket.



Driver Side D-Ring (Cab Side of Bulkhead)



Passenger Side D-Ring (Cargo Side of Bulkhead)

**STEP 12.** Bolt the Bulkhead to the B-pillar and roof bow using M6 x 30mm bolts and flat washers. Tighten these bolts and the Grab Handle bolts to 76 in-lbs.

**STEP 13.** While keeping the floor bracket down flat against the floor/floor liner, tighten the D-Rings to 37 ft-lbs.

**STEP 14.** Tighten the nuts that attach the floor bracket to the bulkhead panel to 76 in-lbs.



 **WARNING**

This product can reduce the driver's ability to clearly see roadways, vehicular or pedestrian traffic and other objects through the rear and side windows of the vehicle, which can cause an accident. Extra precautions should be taken when driving a vehicle with this product. Make all adjustments necessary to ensure maximum visibility, including but not limited to, changing mirror and seating positions. State and local laws may prohibit obstruction of windows in a moving vehicle.

These instructions are to be followed using the parts and fasteners supplied for proper installation. Any modifications or improper installation of this product will create a hazardous condition that could result in death, serious personal injury and/or property damage.

 **CAUTION**

Prior to drilling, so as not to cut electric wires, fuel lines, brake lines, etc., check behind and underneath drilling and mounting locations. To keep debris out of your eyes when checking the underside of the vehicle, or when drilling, always wear protective eye wear. Failure to heed this warning will result in death or serious injury.

**- NOTICE -**

Any modification or unintended use of this product shall immediately void all manufacturer's warranties. Manufacturer disclaims all liability for injuries to persons or property resulting from any modification to, or unintended use of this product.

**WERNER CO. LIMITED LIFETIME WARRANTY FOR WEATHER GUARD® PRODUCTS**

WEATHER GUARD® Products — Limited Lifetime Warranty (Purchased on or after 1/1/2009)

WERNER CO. (the "Manufacturer") warrants to the original purchaser only that WEATHER GUARD® Truck and Van Products (the "WEATHER GUARD® Product") will be free from defects in material and workmanship from the date of purchase and continuing for the expected lifetime of the WEATHER GUARD® Product. A copy of the original sales receipt must be supplied to the Manufacturer at the time a warranty claim is made. This warranty terminates if the original purchaser transfers the WEATHER GUARD® Product to any other person.

**What is Covered**

All WEATHER GUARD® Products identified above that are purchased on or after January 1, 2009.

**What We Will Do to Correct Problems**

Subject to the limitations and exclusions described in this limited warranty, the Manufacturer will remedy defects in materials or workmanship by providing one of the following remedies at its option and without charge to the original purchaser for parts or labor: (a) repairing the defective portion of the WEATHER GUARD® Product or (b) replacing the entire WEATHER GUARD® Product. In addition, the manufacturer may elect at its option, not to repair or replace the WEATHER GUARD® Product, but rather issue to the original purchaser a refund equal to the purchase price paid for the WEATHER GUARD® Product or a credit to be used toward the purchase of new WEATHER GUARD® Product.

**What is Not Covered**

This limited warranty expressly excludes:

- Defects caused by normal wear and tear, cosmetic rust, scratches, accidents, unlawful vehicle operation, or modification to the product, or any types or repair of a WEATHER GUARD® Product other than those authorized or provided by the Manufacturer.
- Defects resulting from conditions beyond the Manufacturer's control including, but not limited to misuse, overloading, or failure to assemble, mount or use the WEATHER GUARD® Product in accordance with the Manufacturer's written instructions or guidelines included with the WEATHER GUARD® Product or made available to the original purchaser.
- Damage to the contents of the box or vehicle.
- TO THE EXTENT PERMITTED BY LAW, IN NO EVENT SHALL THE MANUFACTURER BE LIABLE FOR ANY INCIDENTAL, SPECIAL, INDIRECT, OR CONSEQUENTIAL DAMAGES, INCLUDING ANY ECONOMIC LOSS, WHETHER RESULTING FROM NON-PERFORMANCE, USE, MISUSE OR INABILITY TO USE THE WEATHER GUARD® PRODUCT OR THE MANUFACTURER'S NEGLIGENCE.

**No Other Express Warranty Applies**

This Limited Lifetime Warranty is the sole and exclusive warranty for WEATHER GUARD® Products. No employee, agent, dealer, or other person is authorized to alter this warranty or make any other warranty on behalf of WERNER CO.

**Notification Procedures**

If the WEATHER GUARD® Product does not conform with the terms of this limited warranty, the original owner must promptly notify the Manufacturer in writing upon discovery of the nonconformity. In order to receive the remedies under this limited warranty, the warranty claim must describe the nature of the nonconformity, and a copy of the original sales receipt, invoice, bill or other proof of purchase must accompany the claim. Repairs or modifications made to the WEATHER GUARD® Product by other than the Manufacturer or its authorized agent will nullify this limited warranty. Coverage under this limited warranty is conditioned at all times upon the owner's compliance with these required notification and repair procedures. Warranty claims must include reciprocal contact information and may be made via certified mail to:

**WERNER CO. ATTN: Warranty Claims**

420 E. Terra Cotta Avenue Crystal Lake, IL 60014

**If you have any questions, please call toll free at 1-800-456-7865.**

©2019 WERNER CO.

**WERNERCO™**