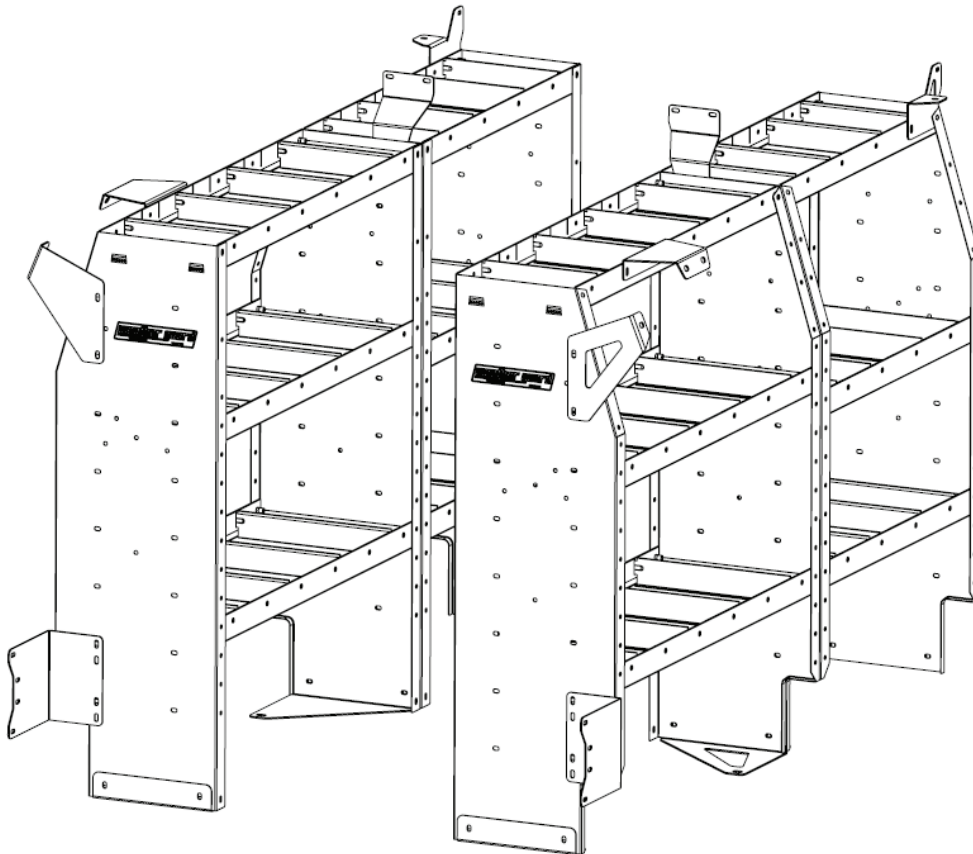




VAN STORAGE SOLUTIONS
FOR THE WAY YOU WORK™

Assembly and Installation Instructions for FORD TRANSIT CONNECT No-Drill Shelving Mounting Kit 9751-3-01, 975106-3-01, and 975107-3-01



Weather Guard / KNAACK
420 E. Terra Cotta Ave.
Crystal Lake, IL 60014 USA

800-456-7865 (Toll Free)
800-334-2981 (Fax)
Knaack.OrderEntry@wernerco.com

Weather Guard / KNAACK
9133 Leslie St. Unit 105
Richmond Hill, ON L4B4N1

888-562-2251 (Toll Free)
888-456-8460 (Fax)
Knaack.OrderEntry.Canada@wernerco.com

ATTENTION: PLEASE READ AND UNDERSTAND ALL INSTRUCTIONS AND WARNINGS BEFORE ASSEMBLING, INSTALLING OR USING THIS PRODUCT.

⚠ PLAN YOUR VAN (TIPS FOR FASTER INSTALLATION)

- Follow these instructions to install your WEATHER GUARD® van shelving inside a Ford Transit Connect van.
- Using these mounting brackets you will be able to install the van shelving using pre-existing weld nuts and mounting holes.
- Take into consideration any REDZONE end panel mounting accessories to be used and the desired location. The shelves can be easily adjusted.
- Before drilling for the blind fasteners, check for electrical wiring and air-bag system components.

HARDWARE KIT

9751-3-01

| DESCRIPTION | QTY |
|---|-----|
| M6-1.0 x 16mm Hex Head Bolt | 26 |
| M10-1.5 x 20mm Hex Head Bolt | 4 |
| M10-1.5 x 40mm Hex Head Bolt | 2 |
| M6-1.0 x 50mm Hex Head Bolt (Black Oxide) | 1 |
| M6-1.0 Nylon Lock Nut | 18 |
| Floor Mounting Spacer | 2 |
| Flat Washer | 18 |
| M6-1.0 Blind Fastener | 4 |
| Blind Fastener Installation Tool | 1 |

975106-3-01 and 975107-3-01

| DESCRIPTION | QTY |
|---|-----|
| M6-1.0 x 16mm Hex Head Bolt | 20 |
| M10-1.5 x 20mm Hex Head Bolt | 2 |
| M10-1.5 x 40mm Hex Head Bolt | 2 |
| M6-1.0 x 50mm Hex Head Bolt (Black Oxide) | 1 |
| M6.3-1.8 x 19mm Self-Tapping Screw | 1 |
| M6-1.0 Nylon Lock Nut | 16 |
| Floor Mounting Spacer | 2 |
| Flat Washer | 17 |
| M6-1.0 Blind Fastener | 2 |
| Blind Fastener Installation Tool | 1 |

TOOLS REQUIRED

| | |
|----------------|---------------|
| 10mm Socket | 10mm Wrench |
| 13mm Socket | 13mm Wrench |
| 17mm Socket | 9/16" Wrench |
| T40 TORX Bit | 1" Hole Saw |
| Ratchet Driver | Torque Wrench |
| Marker | Level |

PARTS LIST

9751-3-01

| DESCRIPTION | QTY |
|--------------------------------|-----|
| Driver Side Mid Mounting Foot | 1 |
| Curb Side Mid Mounting Foot | 1 |
| Driver Side Mid Upper Bracket | 1 |
| Curb Side Mid Upper Bracket | 1 |
| Driver Side Rear Upper Bracket | 1 |
| Curb Side Rear Upper Bracket | 1 |
| Rear Mounting Bracket | 2 |
| Rear Upper Bracket | 2 |

975106-3-01

| DESCRIPTION | QTY |
|----------------------------------|-----|
| Front Mounting Foot | 1 |
| Driver Side Front Upper Bracket | 1 |
| Driver Side Mid Mounting Bracket | 1 |
| Driver Side Mid Upper Bracket | 1 |
| Driver Side Rear Upper Bracket | 1 |
| Rear Mounting Bracket | 1 |
| Rear Upper Bracket | 1 |

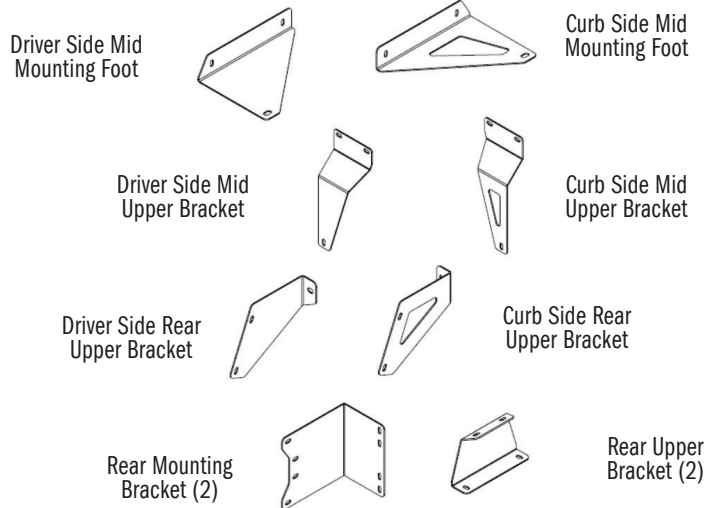
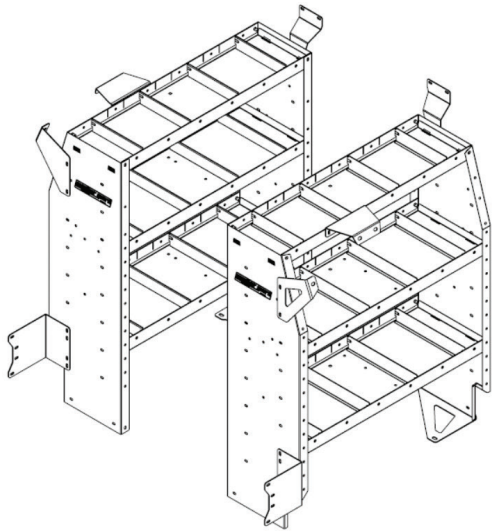
975107-3-01

| DESCRIPTION | QTY |
|--------------------------------|-----|
| Front Mounting Foot | 1 |
| Curb Side Front Upper Bracket | 1 |
| Curb Side Mid Mounting Bracket | 1 |
| Curb Side Mid Upper Bracket | 1 |
| Curb Side Rear Upper Bracket | 1 |
| Rear Mounting Bracket | 1 |
| Rear Upper Bracket | 1 |

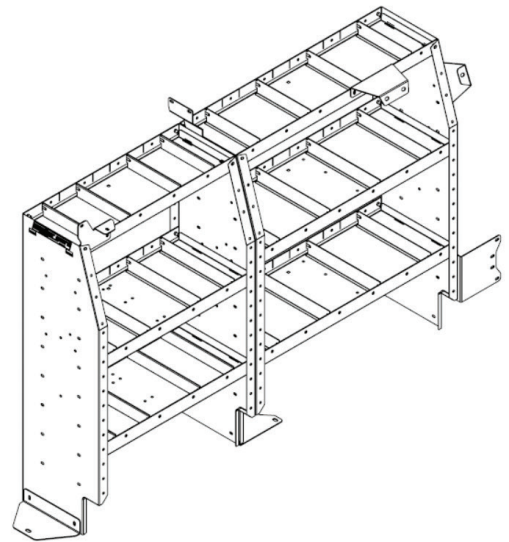
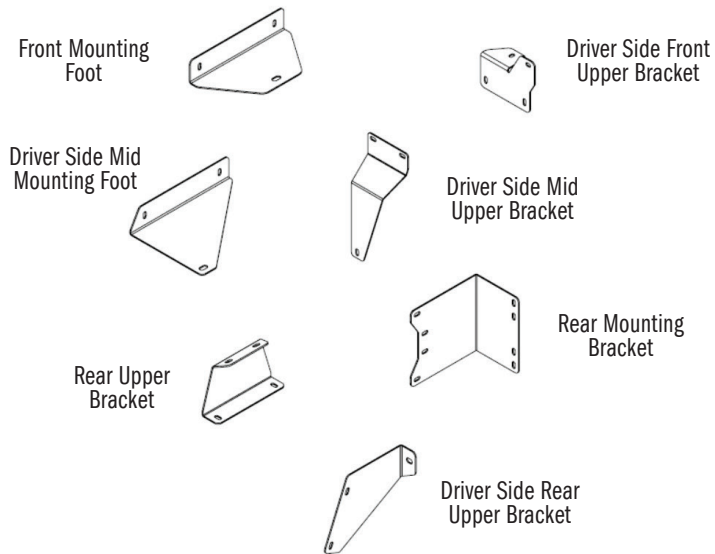
⚠ CAUTION

Be safe - always wear protective eyewear to keep debris out of your eyes when installing WEATHER GUARD® Van Products.

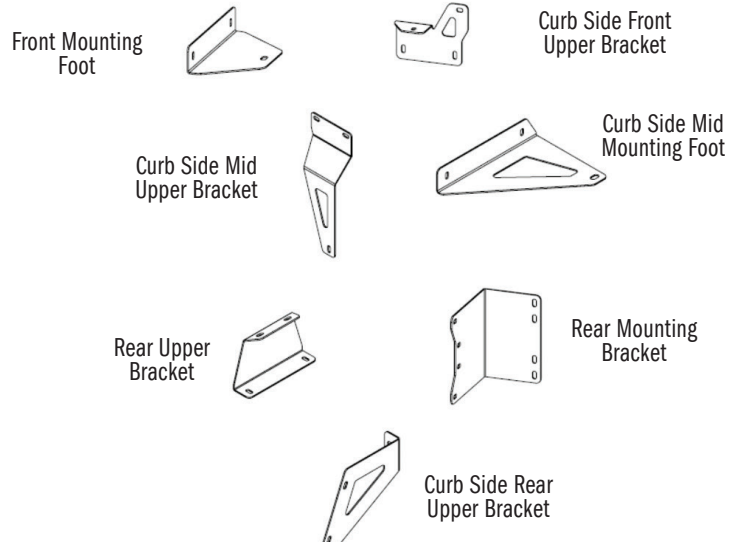
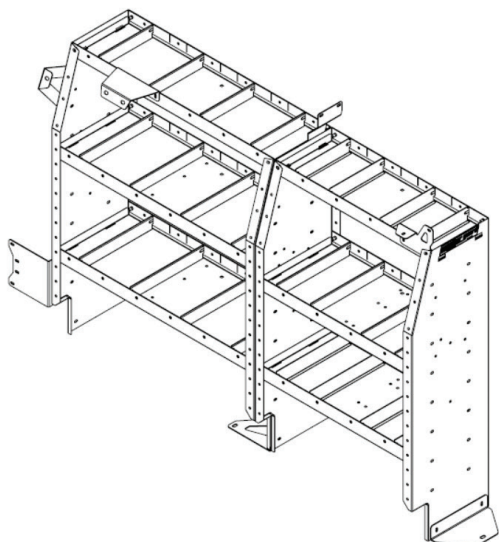
9751-3-01 Rear Shelving Mounting Kit for Ford Transit Connect LWB



975106-3-01 Driver Side Shelving Mounting Kit for Ford Transit Connect LWB



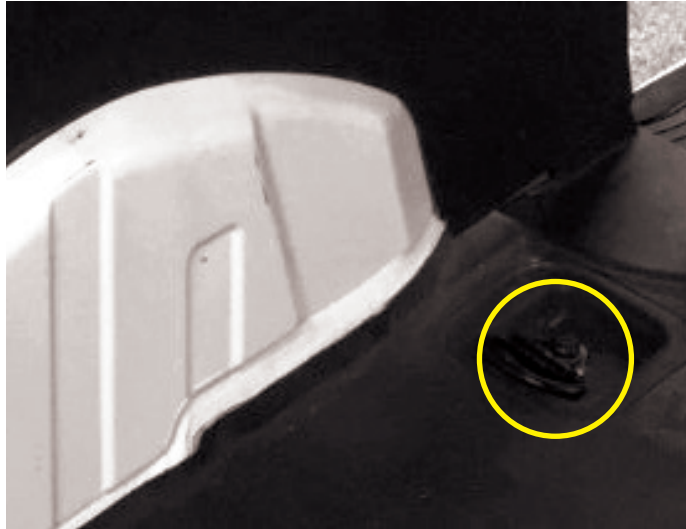
975107-3-01 Curb Side Shelving Mounting Kit for Ford Transit Connect LWB



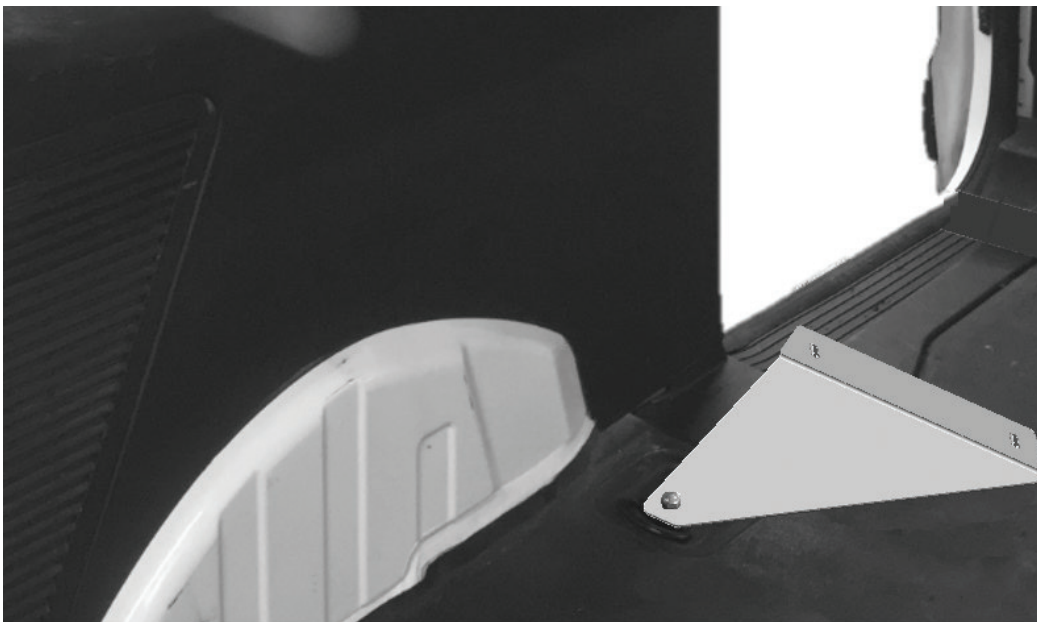
9751-3-01 REAR SHELVING MOUNTING KIT FOR FORD TRANSIT CONNECT LWB

Using these mounting brackets you will be able to install a 36" wide van shelving unit on the driver side of a Ford Transit Connect and a 36" wide can shelving unit on the curb side using pre-existing weld nuts and mounting holes. WEATHER GUARD® van shelving and accessories provide flexibility in customizing the storage space for the needs of tradesman and professionals.

STEP 1. Using the T40 Torx bit and a ratchet or driver, remove the front tie down hooks from the van floor.

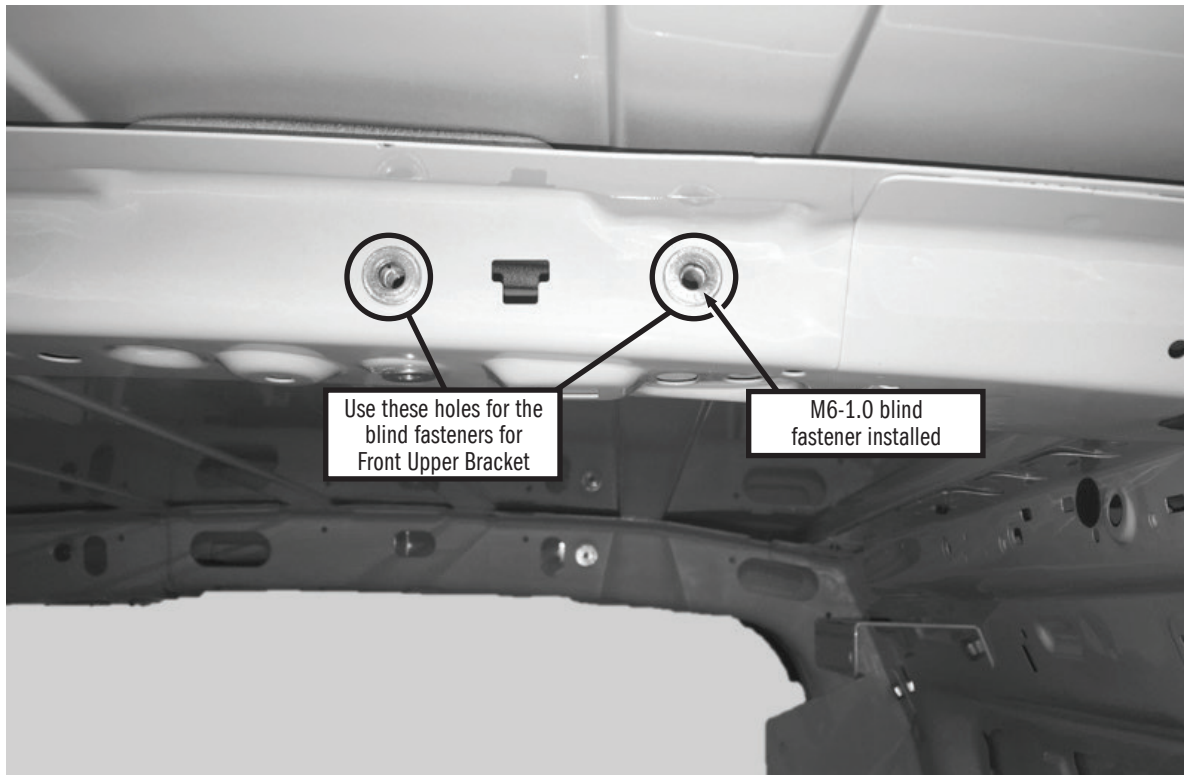


STEP 2. Starting on the driver side, mount the Driver Side Mid Mounting Foot to the van floor using (1) M10-1.5 x 40mm bolt and (1) 12.7mm thick floor spacer. Use the 17mm socket and driver to loosely attach the mounting foot. **Do not completely tighten at this time, allowing the foot to pivot about the mounting bolt.** Repeat with the Curb Side Front Mounting Foot.

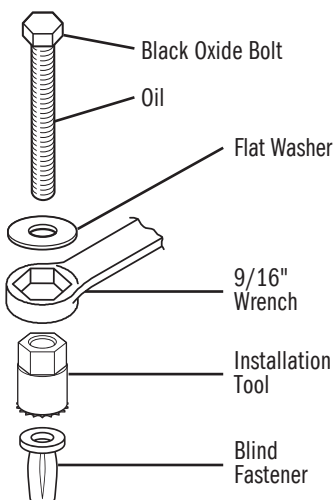


REAR SHELVING INSTALLATION INSTRUCTIONS (9751-3-01, 975106-3-01, and 975107-3-01)

STEP 3. The Driver Side Mid Upper Bracket for the 36" wide shelf units attach to the van roof bow with two blind fasteners. Referring to the picture below, locate the holes in the roof bow for the blind fastener. Follow the instructions below and install the M6 blind fastener in these holes on both the driver and curb sides as well when installing 9751-3-01.



INSTALLATION PROCEDURE USING BLIND FASTENERS



Place a drop of oil on the black oxide bolt before assembling as shown on right. Place the Blind Fastener in the hole and use a 10mm socket and driver to tighten the black hex bolt until the blind fastener is fully sealed.

When setting black hex bolt, it will start out hard. As the Blind Fastener “bulbs” out it will get easier, until it bottoms out or sets.

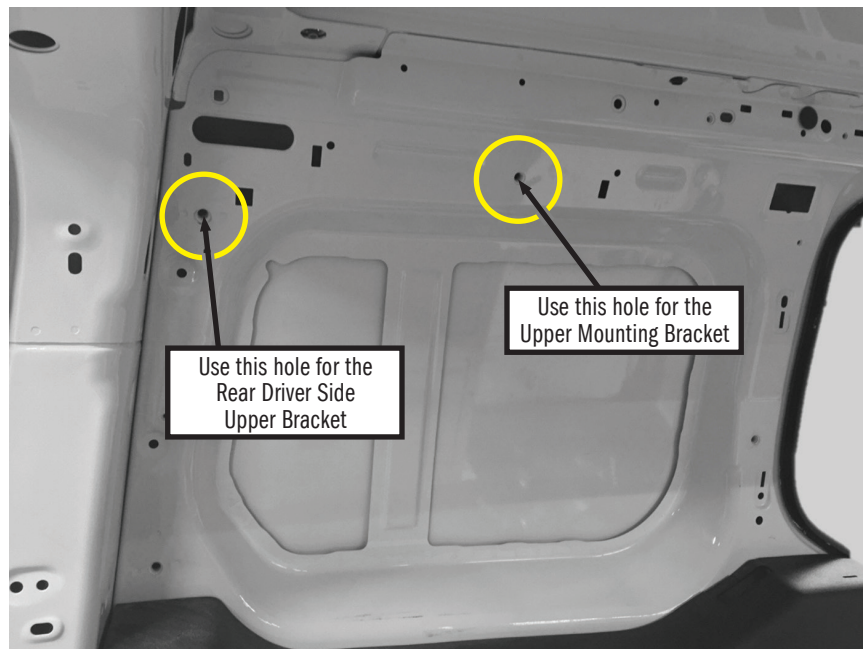
Make sure the Blind Fastener and Installation Tool do not turn during installation.

Before drilling for blind fasteners, check to make sure you won't be damaging wiring, gas lines, brake lines or other critical vehicle systems.

Too much pressure while drilling or setting the blind fasteners may cause dimples in the body panel around the holes.

REAR SHELVING INSTALLATION INSTRUCTIONS (9751-3-01, 975106-3-01, and 975107-3-01)

STEP 4. Identify the M6 weld nuts in the wall of the Transit Connect to install the mounting brackets.

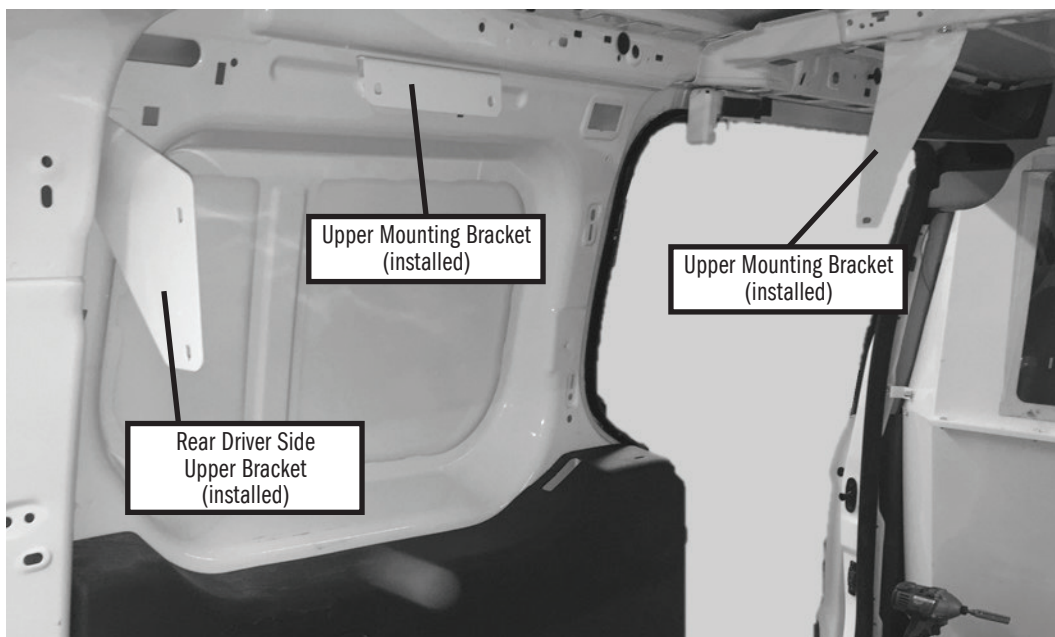


Attach one Upper Mounting Bracket to the weld nut in the center of the side panel using (1) M6-1.0 x 16mm bolt and (1) flat washer with a 10mm socket and driver.

Attach the Rear Driver Side Upper Bracket to the weld nut in panel closest to the door using (1) M6-1.0 x 16mm bolt and (1) flat washer with a 10mm socket and driver.

Attach the Front Driver Side Upper Bracket to the blind fastener installed in Step 3 using (1) M6-1.0 x 16mm bolt and (1) flat washer with a 10mm socket and driver.

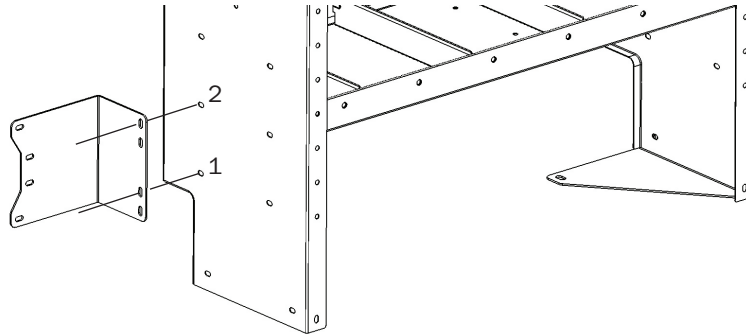
Do not completely tighten the M6 bolts yet, allowing some flexibility for installing the shelf unit.



REAR SHELVING INSTALLATION INSTRUCTIONS (9751-3-01, 975106-3-01, and 975107-3-01)

STEP 5. Attach the Rear Mounting Bracket to the end panels facing the rear door using (2) M6-1.0 x 16mm bolts, (2) flat washers, and (2) M6 Lock Nuts.

Insert the M6 bolts through the upper pair of slots in the bracket and into the first and second set of holes on the end panels as shown in the figure. Repeat with the other shelf unit.



STEP 6. Place the 36" wide shelf unit in the van and fit it to the mounting brackets and mounting foot.

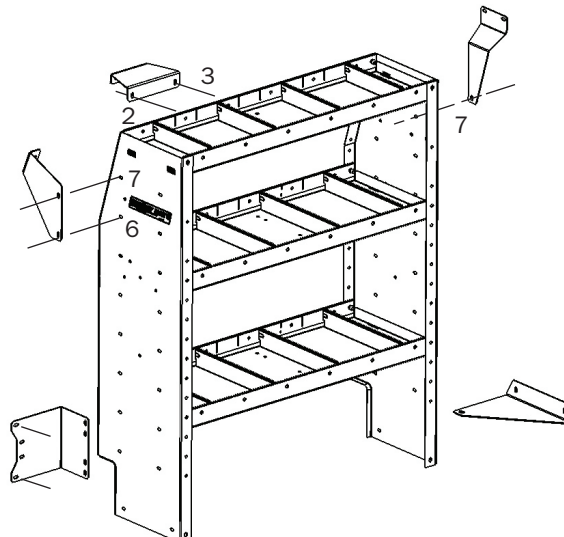
Using (2) M6-1.0 x 16mm bolts, (2) flat washers, and (2) M6-1.0 lock nuts, attach the Driver Side Mid Mounting Foot to front end panel with the 10mm socket and wrench. Be sure to position the mounting foot on the outside of the end panel. Do not completely tighten yet. **Skip this step when installing front 28" shelving unit for 975106-3-01 and/or 975107-3-01.**

Using (1) M6-1.0 x 16mm bolt, (1) flat washer, and (1) M6-1.0 lock nut, attach the Driver Side Mid Upper Bracket to the front end panel with the 10mm socket and wrench. Do not completely tighten yet. **Skip this step when installing front 28" shelving unit for 975106-3-01 and/or 975107-3-01.**

Using (2) M6-1.0 x 16mm bolts, (2) flat washers, and (2) M6-1.0 lock nuts, attach the Rear Upper Bracket to the top shelf with the 10mm socket and wrench. Do not completely tighten yet.

Using (2) M6-1.0 x 16mm bolts, (2) flat washers, and (2) M6-1.0 lock nuts, attach the Rear Upper Bracket to rear end panel with the 10mm socket and wrench. Do not completely tighten yet.

Using (2) M6-1.0 x 16mm bolts attach the Rear Mounting Bracket to the van with the 10mm socket and wrench. Do not completely tighten yet.



REAR SHELVING INSTALLATION INSTRUCTIONS (9751-3-01, 975106-3-01, and 975107-3-01)

STEP 7. Check for shelf unit alignment and straightness and after making any adjustments, tighten the M6-1.0 bolts and lock nuts to 10 ft-lbs. using the 10mm socket, a driver and the torque wrench. Then using the 17mm socket and a driver, tighten the M10-1.5 bolts to 15 ft-lbs.

The installation of WEATHER GUARD® Driver Side Rear Shelving Mounting into the Ford Transit Connect LWB is now complete.

Repeat the Steps 1 through 7 for the Curb Side shelving unit.

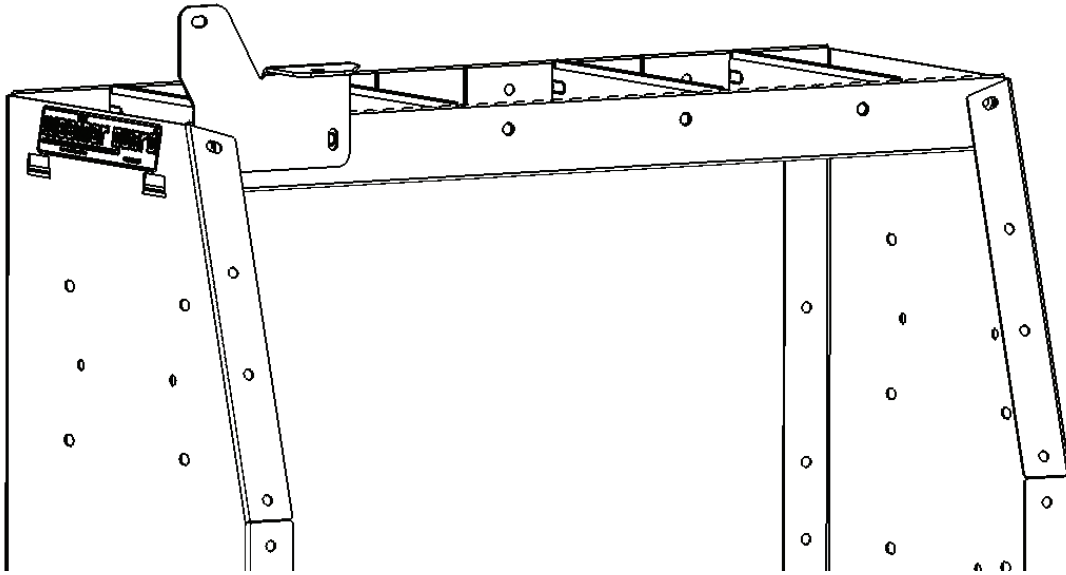


FRONT SHELVING INSTALLATION INSTRUCTIONS (975106-3-01 and 975107-3-01)

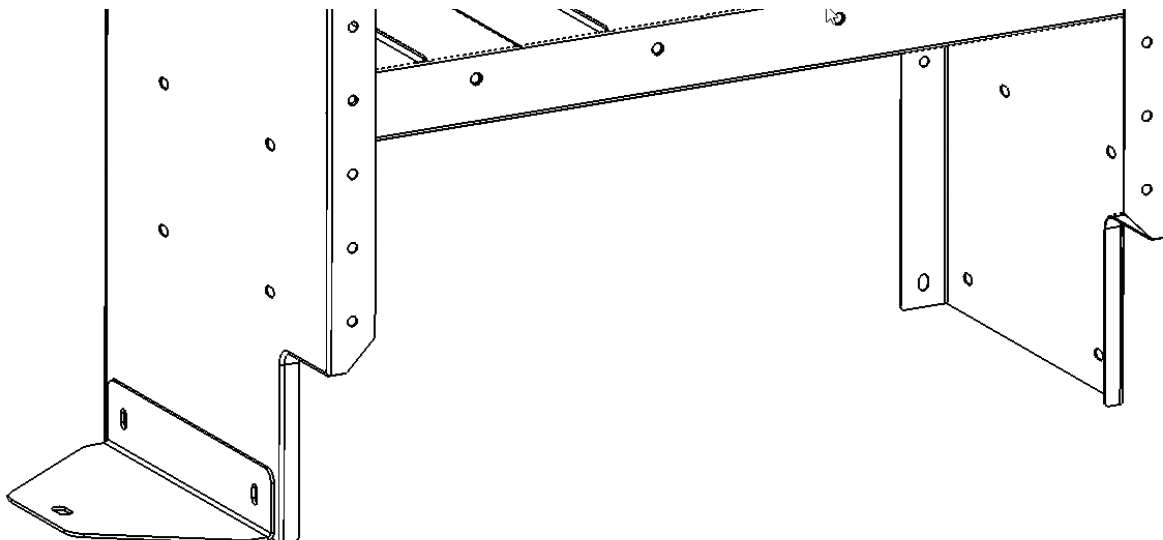
STEP 8. The following steps will apply to driver side front shelf installation. Passenger side installation will mirror the driver side installation using the passenger side specific bracket and a common front mounting foot.

Complete Steps 1 through 6 except the fastening of Mid Upper Bracket and Mid Mounting foot.

STEP 9. Slip the Driver Side Front Upper Bracket between the top shelf and the end panel closest to the front of the vehicle as shown below. Use the 1/4"-20 x 3/4" bolt provided with the shelf to fasten the end panel, bracket, and the shelf together. Make sure that the bracket is installed straight. Use the M6-1.0 x 16mm bolt, nylon lock nut, and a washer to fasten the bracket to the shelf.

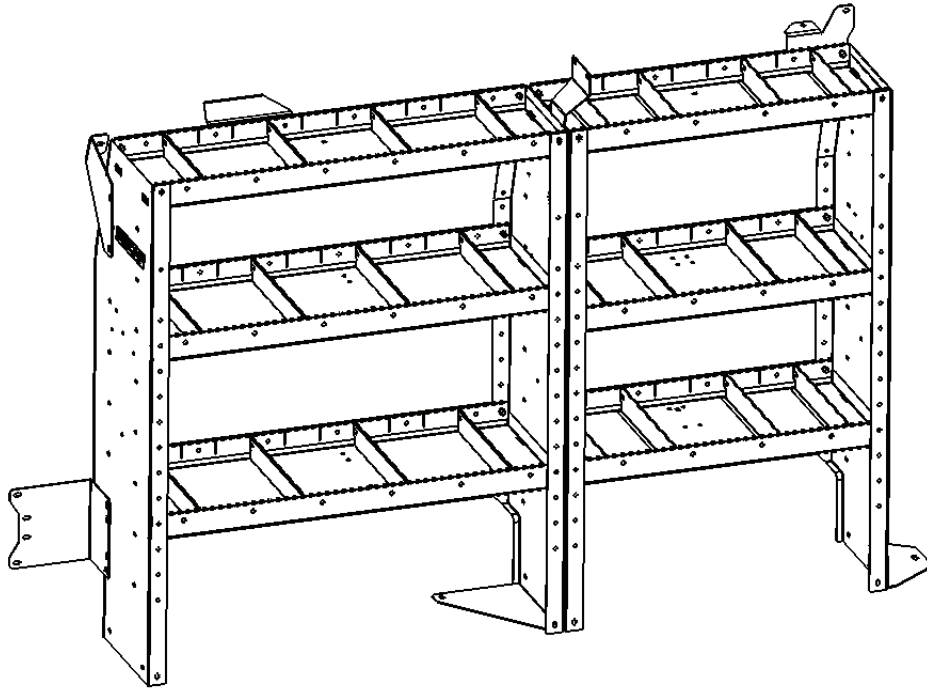


STEP 10. Install the Front Mounting Foot on the same end panel using (2) M6-1.0 x 16mm bolts, (2) flat washers, and (2) M6-1.0 lock nuts.



FRONT SHELVING INSTALLATION INSTRUCTIONS (975106-3-01 and 975107-3-01)

STEP 11. Remove the foam cover above the sliding door to expose the sheet metal. Remove the front tie down hook using the T40 Torx bit and a ratchet or driver. Place the 28" shelving unit inside the van and line it up next to the semi-installed 36" rear shelving unit. Attach the two units through the Mid Upper Bracket and Mid Mounting Foot using (3) M6-1.0 x 16mm bolts, (3) flat washers, and (3) M6-1.0 lock nuts. Place a 1/2" floor mounting spacer under the Front Mounting Foot and install the M10-1.5 x 40mm bolt to secure the mounting foot to the floor.



STEP 12. The flat part of the Front Upper Bracket will line up to an existing hole and the bent tab of the Front Upper Bracket will line up to an untapped weldnut. Through-bolt the flat part to the existing hole using M6-1.0 x 16mm bolt, nylon lock nut, and a washer and tighten. Install the M6.3-1.8 x 19mm Self-Tapping Screw through the untapped weldnut. Do not overtighten.



FRONT SHELVING INSTALLATION INSTRUCTIONS (975106-3-01 and 975107-3-01)

STEP 13. Check for shelf unit alignment and straightness and after making any adjustments, tighten the M6-1.0 bolts and lock nuts to 10 ft-lbs. using the 10mm socket, a driver and the torque wrench. Then using the 17mm socket and a driver, tighten the M10-1.5 bolts to 15 ft-lbs.

The installation of WEATHER GUARD® Driver Side Front Shelving Mounting Kit 9751-3-01 into the Ford Transit Connect LWB is now complete.

Repeat the Steps 8 through 12 for the Curb Side shelving unit.

ACCESSORIES AND REPLACEMENT PARTS

| PART NO. | Description |
|-----------|--|
| 9122-3-01 | 28" x 10.5" Accessory Shelf |
| 9123-3-01 | 36" x 10.5" Accessory Shelf |
| 9142-3-01 | 28" x 13.5" Accessory Shelf |
| 9143-3-01 | 36" x 13.5" Accessory Shelf |
| 9602-3-01 | 28" x 14.5" Accessory Back Panel |
| 9602-3-02 | 28" x 8" Accessory Back Panel |
| 9603-3-01 | 36" x 14.5" Accessory Back Panel |
| 9603-3-02 | 36" x 8" Accessory Back Panel |
| 9702-3-02 | 28" Accessory Retainer Lip |
| 9703-3-02 | 36" Accessory Retainer Lip |
| 72828 | Transit Connect Bolt Kit for Rear Shelf Mounting Kit |
| 72829 | Transit Connect Bolt Kit for Side Shelf Mounting Kit |

⚠ WARNING

This product is only intended and safe for use in storing and transporting small tools, equipment and other similar materials. These instructions are to be followed using the parts and fasteners supplied for proper installation. Any modifications or improper installation of this product will create a hazardous condition that could result in death, serious personal injury and/or property damage.

All floor mounting bolts near the fuel tank area should be installed from the underside of the vehicle, to guard against the fuel tank being punctured in the event of a collision. This would mean not using Blind Fasteners in this area. Holes in this area should be 5/16". Ensure ample space in roof ribs and sidewall ribs for mounting screws so as not to puncture exterior roof or wall.

Do not install this product where it could interfere with deployment of air bags. Failure to comply could result in death or serious body injury.

- NOTICE -

Any modification or unintended use of this product shall immediately void all manufacturers warranties. Manufacturer disclaims all liability for injuries to persons or property resulting from any modification to, or unintended use of this product.

KNAACK LLC LIMITED LIFETIME WARRANTY FOR WEATHER GUARD® PRODUCTS

WEATHER GUARD® Products - Limited Lifetime Warranty (Purchased on or after 1/1/2009)

KNAACK LLC (the "Manufacturer") warrants to the original purchaser only that WEATHER GUARD® Truck and Van Products (the "WEATHER GUARD® Product") will be free from defects in material and workmanship from the date of purchase and continuing for the expected lifetime of the WEATHER GUARD® Product. A copy of the original sales receipt must be supplied to the Manufacturer at the time a warranty claim is made. This warranty terminates if the original purchaser transfers the WEATHER GUARD® Product to any other person.

What is Covered

All WEATHER GUARD® Products identified above that are purchased on or after January 1, 2009.

What We Will Do To Correct Problems

Subject to the limitations and exclusions described in this limited warranty, the Manufacturer will remedy defects in materials or workmanship by providing one of the following remedies at its option and without charge to the original purchaser for parts or labor: (a) repairing the defective portion of the WEATHER GUARD® Product or (b) replacing the entire WEATHER GUARD® Product. In addition, the Manufacturer may elect at its option, not to repair or replace the WEATHER GUARD® Product, but rather issue to the original purchaser a refund equal to the purchase price paid for the WEATHER GUARD® Product or a credit to be used toward the purchase of a new WEATHER GUARD® Product.

What is Not Covered

This limited warranty expressly excludes:

Defects caused by normal wear and tear, cosmetic rust, scratches, accidents, unlawful vehicle operation, or modification to the product, or any types or repair of a WEATHER GUARD® Product other than those authorized or provided by the Manufacturer.

Defects resulting from conditions beyond the Manufacturer's control including, but not limited to misuse, overloading, or failure to assemble, mount or use the WEATHER GUARD® Product in accordance with the Manufacturer's written instructions or guidelines included with the WEATHER GUARD® Product or made available to the original purchaser.

Damage to the contents of the box or vehicle.

TO THE EXTENT PERMITTED BY LAW, IN NO EVENT SHALL THE MANUFACTURER BE LIABLE FOR ANY INCIDENTAL, SPECIAL, INDIRECT, OR CONSEQUENTIAL DAMAGES, INCLUDING ANY ECONOMIC LOSS, WHETHER RESULTING FROM NONPERFORMANCE, USE, MISUSE OR INABILITY TO USE THE WEATHER GUARD® PRODUCT OR THE MANUFACTURER'S NEGLIGENCE.

No Other Express Warranty Applies

This Limited Lifetime Warranty is the sole and exclusive warranty for WEATHER GUARD® Products. No employee, agent, dealer, or other person is authorized to alter this warranty or make any other warranty on behalf of KNAACK LLC.

Notification Procedures

If the WEATHER GUARD® Product does not conform with the terms of this limited warranty, the original owner must promptly notify the Manufacturer in writing upon discovery of the nonconformity. In order to receive the remedies under this limited warranty, the warranty claim must describe the nature of the nonconformity, and a copy of the original sales receipt, invoice, bill or other proof of purchase must accompany the claim. Repairs or modifications made to the WEATHER GUARD® Product by other than the Manufacturer or its authorized agent will nullify this limited warranty. Coverage under this limited warranty is conditioned at all times upon the owner's compliance with these required notification and repair procedures. Warranty claims must include reciprocal contact information and may be made via certified mail to:

KNAACK LLC
ATTN: Warranty Claims
420 E. Terra Cotta Avenue
Crystal Lake, IL 60014

If you have any questions, please call toll free at 1-800-456-7865

© 2018 Wernerco

