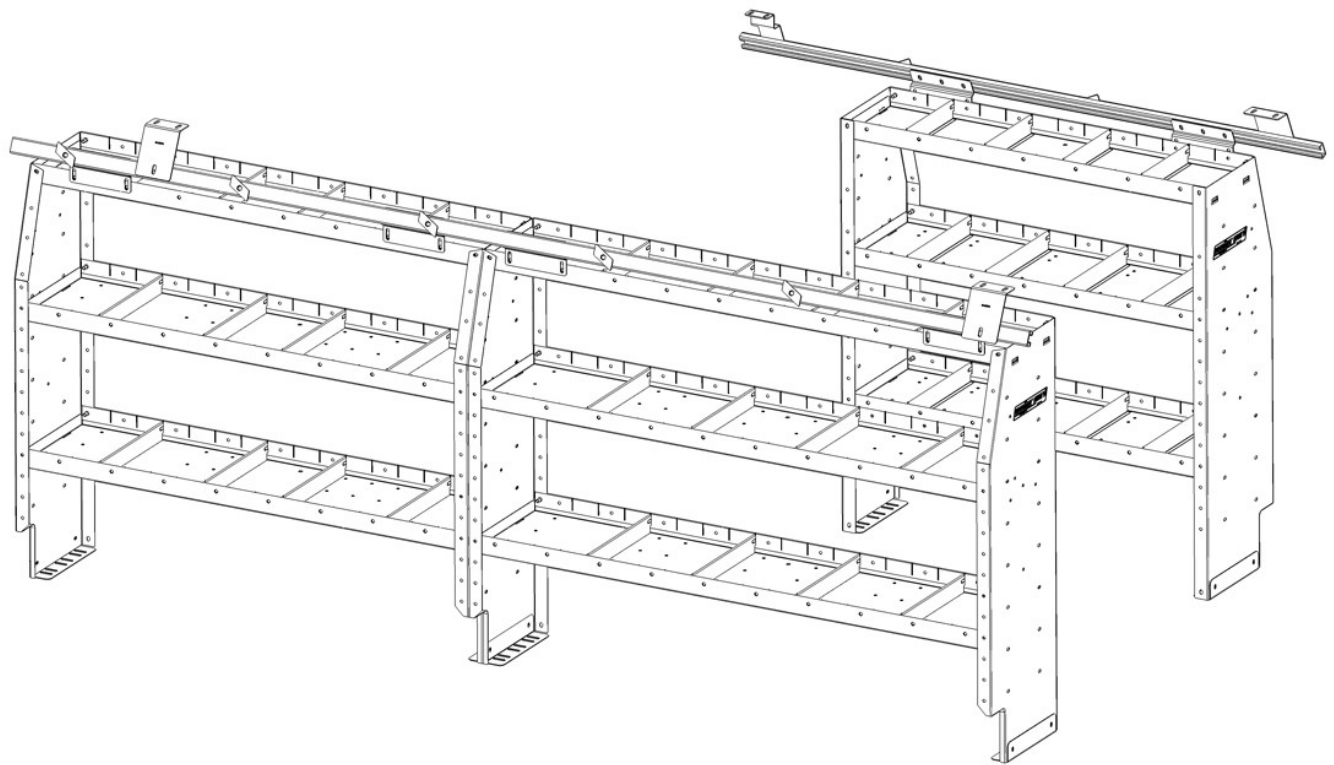




VAN STORAGE SOLUTIONS
FOR THE WAY YOU WORK™

INSTALLATION INSTRUCTIONS for CHEVY/GMC EXPRESS/SAVANA SHELVING MOUNTING KIT



Weather Guard / KNAACK
420 E. Terra Cotta Ave.
Crystal Lake, IL 60014 USA

800-456-7865 (Toll Free)
800-334-2981 (Fax)
Knaack.OrderEntry@wernerco.com

Weather Guard / KNAACK
9133 Leslie St. Unit 105
Richmond Hill, ON L4B4N1

888-562-2251 (Toll Free)
888-456-8460 (Fax)
Knaack.OrderEntry.Canada@wernerco.com

**ATTENTION: PLEASE READ AND UNDERSTAND ALL INSTRUCTIONS AND WARNINGS
BEFORE ASSEMBLING, INSTALLING OR USING THIS PRODUCT.**



PLAN YOUR VAN (TIPS FOR FASTER INSTALLATION)

- Follow these instructions to install your WEATHER GUARD® van shelving inside a Chevy Express or GMC Savana van.
- Using these mounting brackets you will be able to install the van shelving using the van's vertical wall ribs.
- Take into consideration any REDZONE end panel mounting accessories to be used and the desired location. The shelves can be easily adjusted.

HARDWARE KIT

Description	Quantity
1/4"-20 Blind Fastener	8
5/16"-18 x 1/2" Button Head Bolt	4
Mounting Plate	16
5/16"-18 x 1-1/4 Button Head Bolt	7
1/4"-20 x 3/4" Bolt	20
5/16"-18 x 1" Carriage Bolt	16
1/4"-20 Nylon Lock Nut	12
5/16"-18 Nylon Lock Nut	20
1/4" Washer	20
Blind Fastener Install Tool	1
1/4"-20 x 2-1/4" Bolt	1
5/16" Washer	31
Cap Rect. Red 3/4x1-5/8x1	4

TOOLS REQUIRED

3/16" Allen Wrench	Electric drill
7/16" Socket	Punch
7/16" Wrench	Hammer
1/2" Socket	1/4" drill bit
1/2" Wrench	3/8" drill bit
9/16" Wrench	Torque wrench
Level	1" hole saw
Marker	

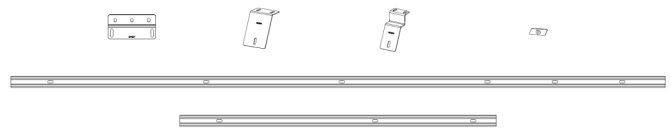
CAUTION

Be safe—always wear protective eyewear to keep debris out of your eyes when installing WEATHER GUARD® van products.

PARTS LIST

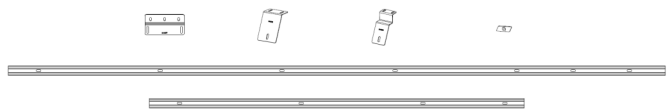
975401-3-01 135" WB Express/Savana

Description	Quantity
Shelf Bracket (common)	6
Support Bracket (common)	3
PS Front Support Bracket (common)	1
Plate (common)	5
Driver Side Mounting Channel (97.125")	1
Pass. Side Mounting Channel (47")	1



975402-3-01 155" WB Express/Savana

Description	Quantity
Shelf Bracket (common)	6
Support Bracket (common)	3
PS Front Support Bracket (common)	1
Plate (common)	7
Driver Side Mounting Channel (116.75")	1
Pass. Side Mounting Channel (66.625")	1



* Images not to scale.

MOUNTING KIT ASSEMBLY AND INSTALLATION INSTRUCTIONS

- The mounting channels will bolt to the vertical ribs & upper lip of the van wall using a combination of plates, brackets, and blind fasteners.
- There are two mounting channels, the longer one will mount to the driver side of the van and the shorter one will mount to the passenger side.

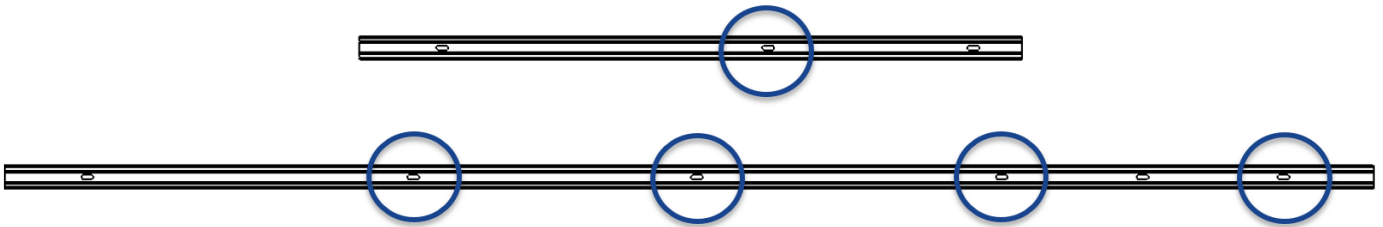
STEP 1. Assemble Plates to the Channels

- Attach the rib mounting plates to the channel by placing a 1-1/4" long 5/16-18 bolt with a 5/16" washer through the slot in the channel and just barely threading the bolt into the nut on the plate as shown.

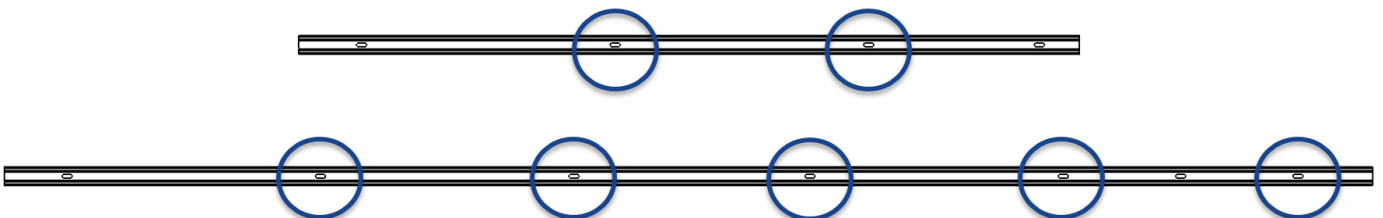


- The plates should be installed to the channels in each of the slots marked below.

135" Wheelbase Channel Plate Locations



155" Wheelbase Channel Plate Locations



MOUNTING KIT ASSEMBLY AND INSTALLATION INSTRUCTIONS

STEP 2. Install 3 of the 4 Support Brackets.

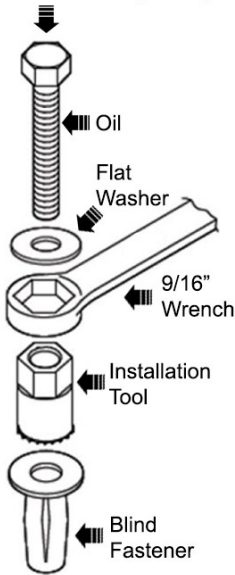


- On the front passenger side of the van, butt the left side of the front passenger bracket (20-00279) against the overlapping sheet metal edge on the upper lip. Align the front edge of the bracket against the start of the bend in the upper lip. Mark the hole locations.
- On the rear passenger side of the van, butt the right side of the other bracket (20-00278) against the overlapping sheet metal edge on the upper lip. Align the front edge of the bracket against the start of the bend in the upper lip. Mark the hole locations. Mirror this step at the rear of the driver side.
- Use a punch to indent the marked locations to drill out for blind fastener installation.
- Before drilling for blind fasteners, check to make sure you won't be damaging wiring, gas lines, or other critical vehicle systems.
- Too much pressure while drilling or setting the blind fasteners may cause dimples in the body panel around the install location.
- Use 1/4" drill bit to make pilot holes.
- Use 3/8" drill bit on pilot holes
- Install blind fasteners using procedure shown on the next page.
- Install each bracket using two 1/4"-20" bolts and washers to the blind fasteners. Tighten the bolts enough to hold the bracket up against the van lip, but leave them loose enough that the bracket can still move in and out along the slots.

MOUNTING KIT ASSEMBLY AND INSTALLATION INSTRUCTIONS

INSTALLATION PROCEDURE USING BLIND FASTENERS

Use 13mm socket (M8)
or 7/16" socket (1/4-20)



Place a drop of oil on the M8-1.25 x 55mm or 1/4-20 x bolt before assembling as shown on left.

Place the Blind Fastener in the hole and use a 13mm when installing M8 Blind Fastener or 7/16" socket when installing 1/4-20 Blind Fastener and driver to tighten the bolt until the Blind Fastener is fully seated.

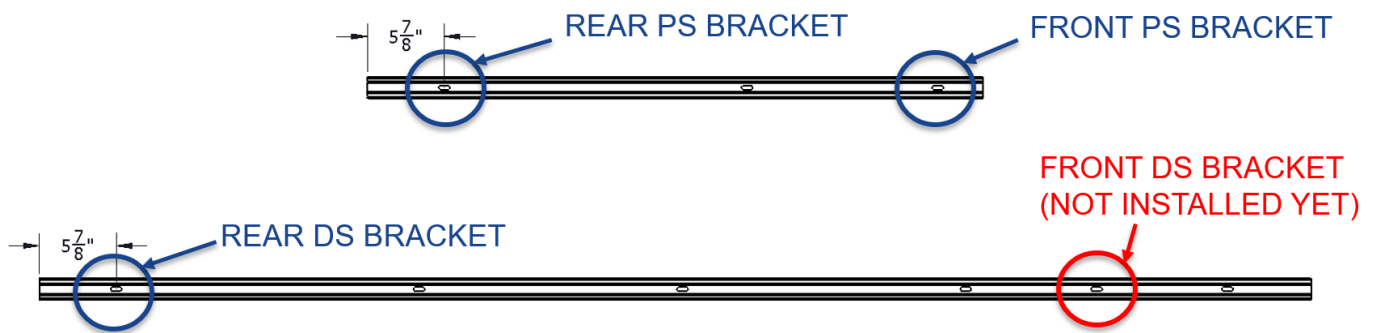
When setting the bolt, it will start out tight. As the Blind Fastener "bulbs" out it will get easier, until it bottoms out of sets.

Make sure the Blind Fastener and the installation tool do not slip during the installation.

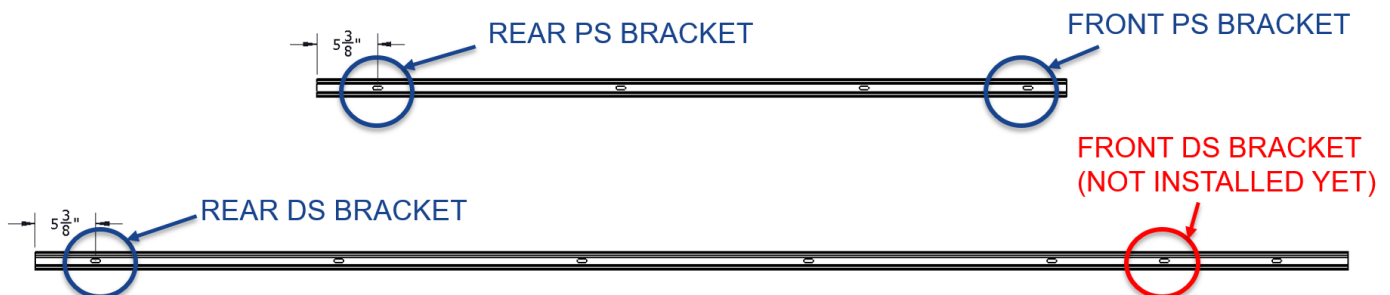
STEP 3. Channel Placement

- Slots that are 5-3/8" (155" Wheelbase) or 5-7/8" (135" Wheelbase) from the end of the channel attach to the previously-installed rear bracket on each side of the van.
- The slot at the other end of the passenger side (shorter) channel attaches to the previously installed front bracket.
- The second slot from the other end of the driver side (longer) channel will attach to the front bracket that still needs to be installed at this point.

135" Wheelbase Channel Placement



155" Wheelbase Channel Plate Locations



MOUNTING KIT ASSEMBLY AND INSTALLATION INSTRUCTIONS

- When placing the channels into place, keep the plates oriented vertically along the length of the uppermost slots in the wall ribs.
- Jostle the plates through the slots so that they sit within the ribs.



- Once the plates are all within the wall ribs, the ends of the channels can be attached loosely to the support brackets that were installed earlier. Use the 1/2" long 5/16-18 bolts, 5/16-18 nylon lock nuts, and a washer on each side. Tighten until the channel is held against the bracket, but leave it loose enough to move along the slots.



MOUNTING KIT ASSEMBLY AND INSTALLATION INSTRUCTIONS

STEP 4. Install Front Driver Side Bracket

- On the driver side, align the slot of the remaining bracket (20-00278) with the remaining slot in the channel. Loosely attach the bracket to the channel with a 1/2" long 5/16-18 bolt, 5/16-18 nylon lock nut, and a washer on each side. Hold the bracket up against the upper lip and align the front edge of the bracket against the start of the bend in the upper lip. Mark the hole locations. Drill a hole & install a blind fastener at each location as before (Step 2).
- Install the bracket using two 1/4-20 bolts and washers to the blind fasteners. Tighten the bolts enough to hold the bracket up against the van lip, but leave them loose enough that the bracket can still move in and out along the slots.



STEP 5. Channel Installation

- While holding the channel against the wall ribs, level the channel horizontally.
- When the channel is level, tighten the bolt and nut at the front bracket and the bolt and nut at the rear bracket. Torque to 15 ft-lbs.
- Tighten the plate bolts while holding the plate turned as far clockwise as possible so that it grabs the inner lip of the wall rib. Torque to 15 ft-lbs.



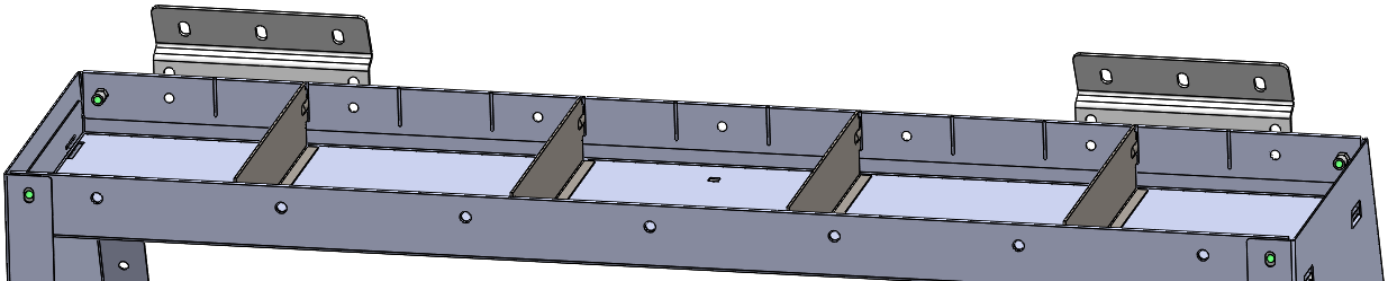
- Once all the bolts in the channel are tight, tighten the bolts holding the brackets to the upper lip of the van. Torque to 76 in-lbs.

MOUNTING KIT ASSEMBLY AND INSTALLATION INSTRUCTIONS

- STEP 6.** Position pre-assembled (minus mounting feet) shelving inside the van. Plan out positioning of the shelves and accessories relative to bulkhead and wheel well.



- STEP 7.** Two shelf units next to each other on driver side should be bolted together through the end panels using 1/4-20x3/4" bolts, washers, and nylon lock nuts.
- STEP 8.** Assemble two mounting brackets to the back of the top shelf lip on outer-most position shown below using two 1/4-20 x 3/4" bolts, washers, and nylon lock nuts. Do not torque them down at this point.

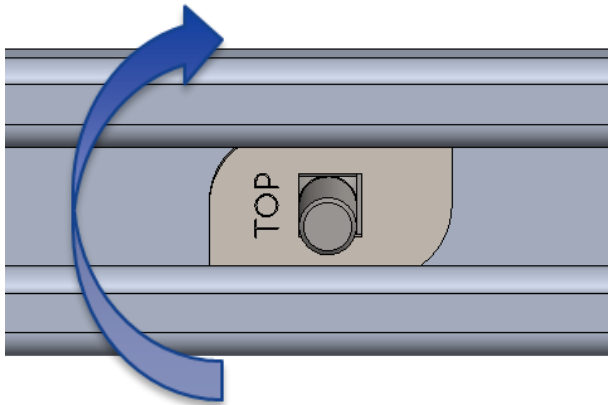


- STEP 9.** Position the carriage bolt plate such that you can read the word "TOP" and insert 5/16-18 carriage bolt from the bottom of the plate. Note: using a piece of masking tape (or equivalent) on back of the plate to lightly hold the carriage bolt to the plate may allow easier installation. You will need four plates per shelving unit plus two for each side (driver/passenger) for the end straps.



MOUNTING KIT ASSEMBLY AND INSTALLATION INSTRUCTIONS

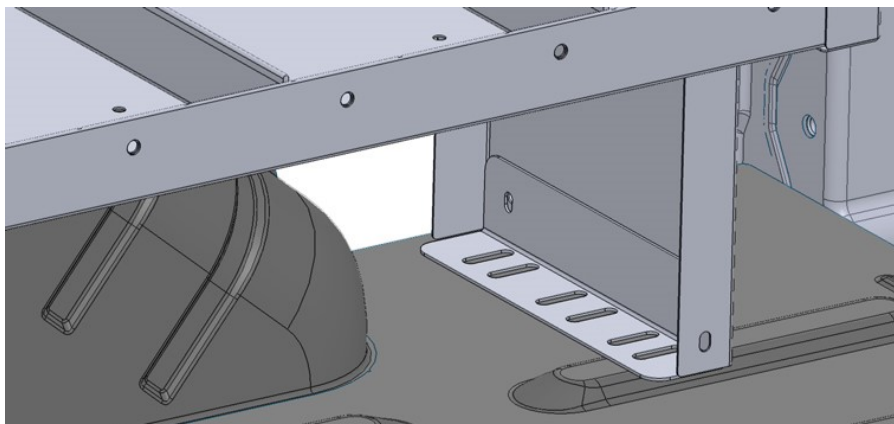
- STEP 10.** Insert the carriage bolt/plate assemblies through the mounting channel and rotate 90 degrees clockwise. Ten will be used on driver side and six will be used on passenger side when installing standard configuration of two and one shelving for driver side and passenger side, respectively.



- STEP 11.** Position the shelves and carriage bolts/plates in desired location and fasten the shelves to the carriage bolt/plate using 5/16-18 nylon lock nuts and washers using 1/2" socket. Fine tune the position and alignment of the shelves in desired location. Torque them down to 13 ft-lbs.



- STEP 12.** Place the mounting foot to the inside of the end panel and mark drilling points. Use a spacer when mounting on uneven surface as shown below. Use a 1" hole saw if the van is equipped with floor mats. Use a 1/4" drill bit for pilot and 3/8" drill for 1/4-20 blind fasteners. Install 1/4-20 blind fasteners on the floor. Refer to blind fastener instruction on page 5. **Always be sure to make sure you won't be damaging wiring, gas lines, or other critical vehicle systems when drilling.**



MOUNTING KIT ASSEMBLY AND INSTALLATION INSTRUCTIONS

STEP 13. Slip the mounting foot from the other side of the end panel and install using 1/4-20 x 3/4" bolts, washers, and nylon lock nuts. Install to floor blind fasteners using 1/4-20 x 1-1/2" bolts. Repeat steps 12 and 13 until all mounting feet are installed. Note that you only need to use one mounting foot where the driver side shelves join.



STEP 14. Torque down the 1/4-20 x 3/4" bolts, washers, and nylon lock nuts installed in **STEP 8** to 76 in-lbs.



MOUNTING KIT ASSEMBLY AND INSTALLATION INSTRUCTIONS

- STEP 15.** Loosely assemble L-bracket for the end straps to the carriage bolt/plate assembled in **STEP 9**. Use washer and 5/16-18 nylon lock nut using 1/2" socket. The face of the L-bracket that is perpendicular to the mounting channel may face front or rear of the van depending on the shelf size and configuration.



- STEP 16.** Install the end strap to the L-bracket using 1/4-20 x 3/4" bolt, washer, and nylon lock nut using 7/16" wrench and socket. Position the strap such that it is inline with the end panel. Align the end strap to one of the holes on the end panel and secure it using 1/4-20 x 3/4" bolt, washer, and nylon lock nut. Make sure all components are aligned and tighten.



- STEP 17.** Make sure all shelves are aligned and make sure all bolts and nuts are properly torqued to spec. use 76 in-lbs for 1/4-20 hardware and 13 ft-lbs for 5/16-18 hardware.

! WARNING

This product is only intended and safe for use in storing and transporting small tools, equipment and other similar materials. These instructions are to be followed using the parts and fasteners supplied for proper installation. Any modifications or improper installation of this product will create a hazardous condition that could result in death, serious personal injury and/or property damage.

All floor mounting bolts near the fuel tank area should be installed from the underside of the vehicle, to guard against the fuel tank being punctured in the event of a collision. This would mean not using Blind Fasteners in this area. Holes in this area should be 5/16". Ensure ample space in roof ribs and sidewall ribs for mounting screws so as not to puncture exterior roof or wall.

Do not install this product where it could interfere with deployment of air bags. Failure to comply could result in death or serious body injury.

- NOTICE -

Any modification or unintended use of this product shall immediately void all manufacturers warranties. Manufacturer disclaims all liability for injuries to persons or property resulting from any modification to, or unintended use of this product.

KNAACK LLC LIMITED LIFETIME WARRANTY FOR WEATHER GUARD® PRODUCTS

WEATHER GUARD® Products — Limited Lifetime Warranty (Purchased on or after 1/1/2009)

Knaack LLC (the "Manufacturer") warrants to the original purchaser only that WEATHER GUARD® Truck and Van Products (the "WEATHER GUARD® Product") will be free from defects in material and workmanship from the date of purchase and continuing for the expected lifetime of the WEATHER GUARD® Product. A copy of the original sales receipt must be supplied to the Manufacturer at the time a warranty claim is made. This warranty terminates if the original purchaser transfers the WEATHER GUARD® Product to any other person.

What is Covered

All WEATHER GUARD® Products identified above that are purchased on or after January 1, 2009.

What We Will Do to Correct Problems

Subject to the limitations and exclusions described in this limited warranty, the Manufacturer will remedy defects in materials or workmanship by providing one of the following remedies at its option and without charge to the original purchaser for parts or labor: (a) repairing the defective portion of the WEATHER GUARD® Product or (b) replacing the entire WEATHER GUARD® Product. In addition, the manufacturer may elect at its option, not to repair or replace the WEATHER GUARD® Product, but rather issue to the original purchaser a refund equal to the purchase price paid for the WEATHER GUARD® Product or a credit to be used toward the purchase of new WEATHER GUARD® Product.

What is Not Covered

This limited warranty expressly excludes:

- Defects caused by normal wear and tear, cosmetic rust, scratches, accidents, unlawful vehicle operation, or modification to the product, or any types or repair of a WEATHER GUARD® Product other than those authorized or provided by the Manufacturer.
- Defects resulting from conditions beyond the Manufacturer's control including, but not limited to misuse, overloading, or failure to assemble, mount or use the WEATHER GUARD® Product in accordance with the Manufacturer's written instructions or guidelines included with the WEATHER GUARD® Product or made available to the original purchaser.
- Damage to the contents of the box or vehicle.
- TO THE EXTENT PERMITTED BY LAW, IN NO EVENT SHALL THE MANUFACTURER BE LIABLE FOR ANY INCIDENTAL, SPECIAL, INDIRECT, OR CONSEQUENTIAL DAMAGES, INCLUDING ANY ECONOMIC LOSS, WHETHER RESULTING FROM NON-PERFORMANCE, USE, MISUSE OR INABILITY TO USE THE WEATHER GUARD® PRODUCT OR THE MANUFACTURER'S NEGLIGENCE.

No Other Express Warranty Applies

This Limited Lifetime Warranty is the sole and exclusive warranty for WEATHER GUARD® Products. No employee, agent, dealer, or other person is authorized to alter this warranty or make any other warranty on behalf of Knaack LLC.

Notification Procedures

If the WEATHER GUARD® Product does not conform with the terms of this limited warranty, the original owner must promptly notify the Manufacturer in writing upon discovery of the nonconformity. In order to receive the remedies under this limited warranty, the warranty claim must describe the nature of the nonconformity, and a copy of the original sales receipt, invoice, bill or other proof of purchase must accompany the claim. Repairs or modifications made to the WEATHER GUARD® Product by other than the Manufacturer or its authorized agent will nullify this limited warranty. Coverage under this limited warranty is conditioned at all times upon the owner's compliance with these required notification and repair procedures. Warranty claims must include reciprocal contact information and may be made via certified mail to:

Knaack LLC ATTN: Warranty Claims

420 E. Terra Cotta Avenue Crystal Lake, IL 60014

If you have any questions, please call toll free at 1-800-456-7865.

©2017 Knaack LLC

