



**VAN STORAGE SOLUTIONS**  
FOR THE WAY YOU WORK™

# INSTALLATION MANUAL

**TANK RACKS 9862-3-01, 9863-3-01, 9864-3-01**

WWW.WEATHERGUARD.COM

**ATTENTION: PLEASE READ AND UNDERSTAND ALL INSTRUCTIONS AND WARNINGS BEFORE ASSEMBLING, INSTALLING OR USING THIS PRODUCT.**

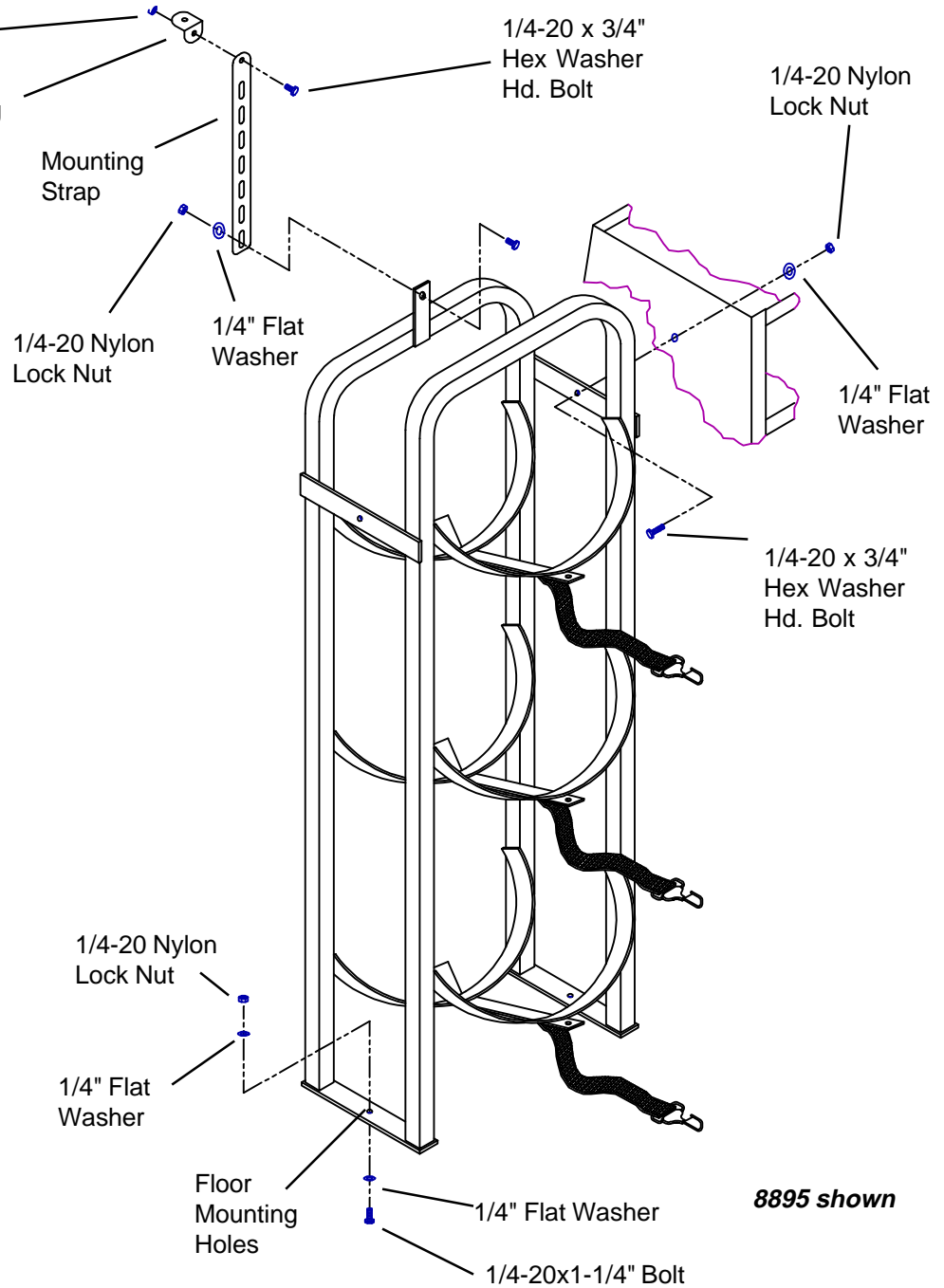
## IMPORTANT BEFORE YOU BEGIN

Read these instructions and warnings completely before installing.

## BOLT KIT

Bolt Kit #32-8895 has been provided with your rack. Check this bolt kit to be sure the following parts are included:

Quan.	Description
2	1/4-20 x 1-1/4" Hex Head Bolt
3	1/4-20 x 3/4" Hex Washer Hd. Bolt
6	1/4" Flat Washer
5	1/4-20 Nylon Lock Nut
2	1/4" Lock Washer
2	1/4-20 Blind Fastener
1	1/4-20 x 2-1/4" Bolt (Black Oxide)
1	Installation Tool
1	12" Mounting Strap
1	Mounting Angle



## TOOLS REQUIRED

- Electric Drill
- 9/32" & 13/32" Drill Bits
- 7/16" Wrenches (2)
- 9/16" Wrench 1

## PARTS LIST

- 1- Tank Rack
- 1- Bolt Kit



## INSTALLATION INSTRUCTIONS

1. Place a freon tank in the top cradle, and set the Rack into position. If a freon tank is not available, place the Rack 4-1/2" away from the van wall at the top of the rack, or any other obstruction at the rear of the Rack. Mark the two floor mounting holes. If positioning the Rack next to another unit, mark the side hole in the bracket on the Rack. Remove the tank.

2. A wall Mounting Strap and a Mounting Angle are provided. The Mounting Strap may be bent to any shape and/or used with the Mounting Angle. The Mounting Strap should be attached to the upper portion of the unit in a manner that would minimize movement of the unit both front to rear and side to side.

### CAUTION

To keep debris out of your eyes when checking the underside of the vehicle, or when drilling, always wear protective eyewear.

### CAUTION

Prior to drilling, so as not to cut or puncture fuel tanks, fuel lines, brake lines, electric wires, etc., check under vehicle for locations.

3. Drill all marked holes (9/32"), except the hole for the mounting strap (13/32"), which will use a Blind Fastener for mounting. See Blind Fastener installation instructions.

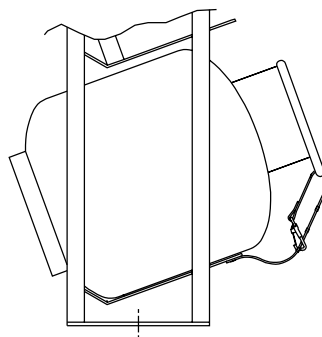
### WARNING

All floor mounting bolts near the gas tank area should be installed from the underside of the vehicle, to guard against the gas tank being punctured in the event of a collision.

4. Once holes are drilled, fasten the tank rack to the floor.

**NOTE:** One extra Blind Fastener and one extra lock washer have been provided for use in areas where standard fasteners can't be used, such as heat shields and support channels.

5. Bolt the Rack to the unit beside it (if applicable) then bolt the Mounting Strap to the vehicles channel.

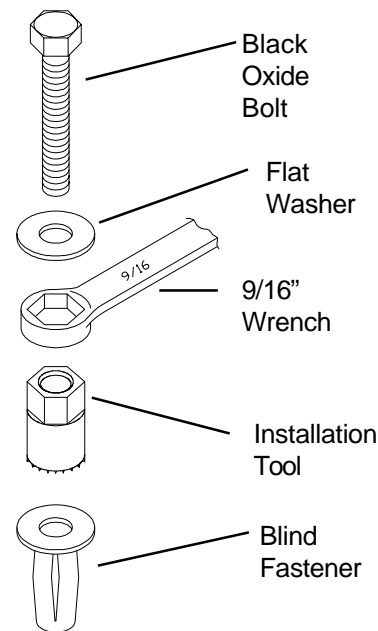


### WARNING

Freon tanks must be strapped in place, so as not to become a projectile during sharp turns, or in the event of a collision. If the straps are not used, it could result in serious personal injury or property damage.

## INSTALLATION PROCEDURE USING BLIND FASTENERS

Place a drop of oil on the black oxide bolt before assembling as shown below. Place the Blind Fastener in the hole and use a 1/2" or 7/16" wrench to tighten black hex bolt until the blind fastener is fully seated. When setting black hex bolt, it will start out hard. As the Blind Fastener "bulbs" out it will get easier, until it bottoms out or sets. Make sure the Blind Fastener and Installation Tool do not turn during installation.



### - NOTICE -

Any modification or unintended use of this product shall immediately void all manufacturers warranties. Manufacturer disclaims all liability for injuries to persons or property resulting from any modification to, or unintended use of this product.



**! DANGER**

Danger of explosion. Do not use this product for storing or transporting flammables, explosives, hazardous materials, or hazardous waste, such as containers of gasoline, solvents, gun powder, dynamite, propane tanks, acetylene tanks and cutting torches. Failure to heed this warning will result in death or serious injury.

**! WARNING**

This product is only intended and safe for use in storing and transporting small tools, equipment and other similar materials. These instructions are to be followed using the parts and fasteners supplied for proper installation. Any modifications or improper installation of this product will create a hazardous condition that could result in death, serious personal injury and/or property damage.

All floor mounting bolts near the fuel tank area should be installed from the underside of the vehicle, to guard against the fuel tank being punctured in the event of a collision. This would mean not using Blind Fasteners in this area. Holes in this area should be 5/16". Ensure ample space in roof ribs and sidewall ribs for mounting screws so as not to puncture exterior roof or wall.

Do not install this product where it could interfere with deployment of air bags. Failure to comply could result in death or serious body injury.

**! CAUTION**

Prior to drilling, so as not to cut electric wires, fuel lines, brake lines, etc., check behind and underneath drilling and mounting locations. To keep debris out of your eyes when checking the underside of the vehicle, or when drilling, always wear protective eye wear. Failure to heed this warning will result in death or serious injury.

**- NOTICE -**

Any modification or unintended use of this product shall immediately void all manufacturers warranties. Manufacturer disclaims all liability for injuries to persons or property resulting from any modification to, or unintended use of this product.

**KNAACK LLC LIMITED LIFETIME WARRANTY FOR WEATHER GUARD PRODUCTS®**

WEATHER GUARD® Products — Limited Lifetime Warranty

(Purchased on or after 1/1/2009)

Knaack LLC (the "Manufacturer") warrants to the original purchaser only that WEATHER GUARD® Truck and Van Products (the "WEATHER GUARD® Product") will be free from defects in material and workmanship from the date of purchase and continuing for the expected life time of the WEATHER GUARD® Product. A copy of the original sales receipt must be supplied to the Manufacturer at the time a warranty claim is made. This warranty terminates if the original purchaser transfers the WEATHER GUARD® Product to any other person.

**What is Covered**

All WEATHER GUARD® Products identified above that are purchased on or after January 1, 2009.

**What We Will Do to Correct Problems**

Subject to the limitations and exclusions described in this limited warranty, the Manufacturer will remedy defects in materials or workmanship by providing one of the following remedies at its option and without charge to the original purchaser for parts or labor: (a) repairing the defective portion of the WEATHER GUARD® Product or (b) replacing the entire WEATHER GUARD® Product. In addition, the manufacturer may elect at its option, not to repair or replace the WEATHER GUARD® Product, but rather issue to the original purchaser a refund equal to the purchase price paid for the WEATHER GUARD® Product or a credit to be used toward the purchase of new WEATHER GUARD® Product.

**What is Not Covered**

This limited warranty expressly excludes:

- Defects caused by normal wear and tear, cosmetic rust, scratches, accidents, unlawful vehicle operation, or modification to the product, or any types or repair of a WEATHER GUARD® Product other than those authorized or provided by the Manufacturer.
- Defects resulting from conditions beyond the Manufacturer's control including, but not limited to misuse, overloading, or failure to assemble, mount or use the WEATHER GUARD® Product in accordance with the Manufacturer's written instructions or guidelines included with the WEATHER GUARD® Product or made available to the original purchaser.
- Damage to the contents of the box or vehicle.
- TO THE EXTENT PERMITTED BY LAW, IN NO EVENT SHALL THE MANUFACTURER BE LIABLE FOR ANY INCIDENTAL, SPECIAL, INDIRECT, OR CONSEQUENTIAL DAMAGES, INCLUDING ANY ECONOMIC LOSS, WHETHER RESULTING FROM NONPERFORMANCE, USE, MISUSE OR INABILITY TO USE THE WEATHER GUARD® PRODUCT OR THE MANUFACTURER'S NEGLIGENCE.

**No Other Express Warranty Applies**

This Limited Lifetime Warranty is the sole and exclusive warranty for WEATHER GUARD® products. No employee, agent, dealer, or other person is authorized to alter this warranty or make any other warranty on behalf of Knaack LLC.

**Notification Procedures**

If the WEATHER GUARD® Product does not conform with the terms of this limited warranty, the original owner must promptly notify the Manufacturer in writing upon discovery of the nonconformity. In order to receive the remedies under this limited warranty, the warranty claim must describe the nature of the nonconformity, and a copy of the original sales receipt, invoice, bill or other proof of purchase must accompany the claim. Repairs or modifications made to the WEATHER GUARD® Product by other than the Manufacturer or its authorized agent will nullify this limited warranty. Coverage under this limited warranty is conditioned at all times upon the owner's compliance with these required notification and repair procedures. Warranty claims must include reciprocal contact information and may be made via certified mail to:

Knaack LLC  
ATTN: Warranty Claims  
420 E. Terra Cotta Avenue Crystal Lake, IL 60014

If you have any questions, please call toll free at 1-800-456-7865.  
©2013 Knaack LLC

