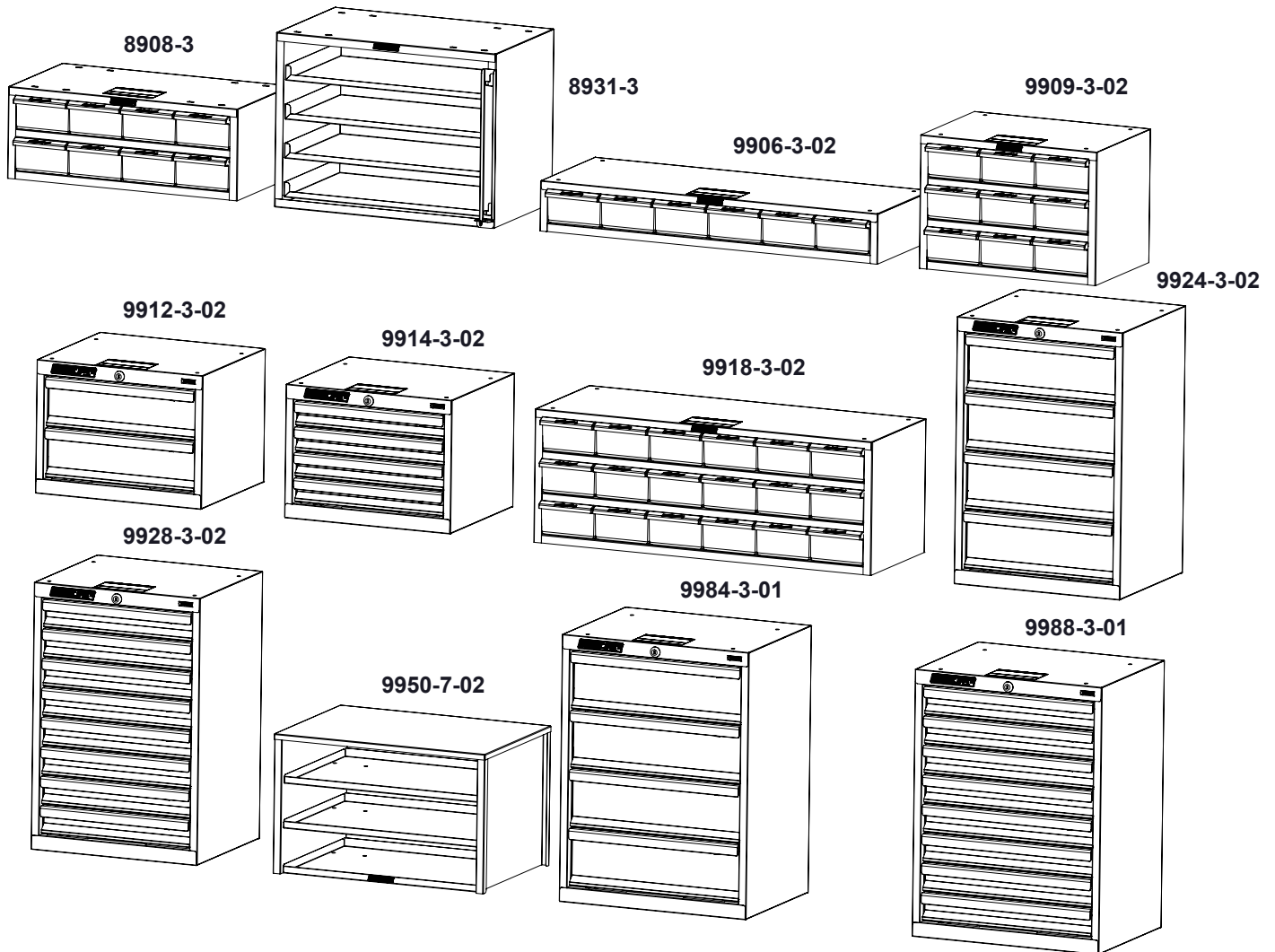




VAN STORAGE SOLUTIONS
FOR THE WAY YOU WORK™

Installation Instructions for Accessory Cabinets and Drawers



Weather Guard / KNAACK
420 E. Terra Cotta Ave.

800-456-7865 (Toll Free)
800-334-2981 (Fax)

Weather Guard / KNAACK
9133 Leslie St. Unit 105
Richmond Hill, ON L4B4N1

888-562-2251 (Toll Free)
888-456-8460 (Fax)
Knaack.OrderEntry.Canada@WernerCo.com

ATTENTION: PLEASE READ AND UNDERSTAND ALL INSTRUCTIONS AND WARNINGS BEFORE ASSEMBLING, INSTALLING OR USING THIS PRODUCT.

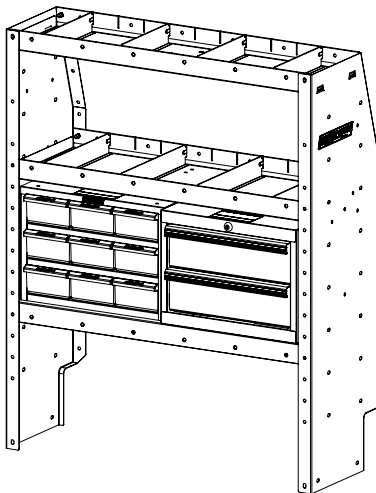


PLAN YOUR VAN (TIPS FOR FASTER INSTALLATION)

- Plan the placement of your accessories before installing them, some accessories may be easier to install before mounting the shelving into the van.
- Install REDZONE end panel mounted accessories before shelf mounted accessories.
- WEATHER GUARD® van shelves and accessory cabinets/drawers have pre-punched mounting holes for quick installation.
- Use power tools to speed up the installation process.
- Before drilling for the blind fasteners, check for electrical wiring and air-bag system components.
- 8908-3, 8931-3, 9906-3-02, 9909-3-02, 9912-3-02, 9914-3-02, 9918-3-02, and 9950-7-02 can be mounted on the shelf with the shelf installed right-side-up or upside down depending on your needs.
- 9906-3-02 and 9918-3-02 are compatible with shelves 36" and wider.
- Tall units 9924-3-02, 9928-3-02, 9984-3-01, and 9988-3-01 are designed to be floor mounted.

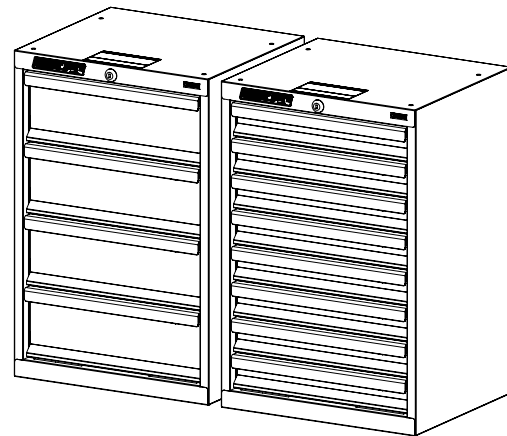
HARDWARE KIT FOR SHELF MOUNT

DESCRIPTION	QTY.
Shelf Divider Cover	2
1/4"-20 Whiz-nut	4
1-4"-20 x 3/4" Bolt	4
1-4"-20 x 3" Bolt	4
Retainer washer	4
Spacers	4



HARDWARE KIT FOR FLOOR MOUNT

DESCRIPTION	QTY.
1/4"-20 Blind Fastener	4
1/4"-20 Nylon Lock Nut	4
1/4" Flat Washer	6
1/4"-20 x 2-1/4" Bolt	1
1/4"-20 x 1-1/4" Bolt	4
Blind Fastener Install Tool	1



CAUTION

Be safe—always wear protective eyewear to keep debris out of your eyes when installing WEATHER GUARD® van products.

HARDWARE KIT FOR FLOOR MOUNT

7/16" Socket	Ratchet
7/16" Wrench	1/8" Drill Bit
9/16" Wrench	3/8" Drill Bit
Impact Driver	1" Hole Saw

INSTALLATION INSTRUCTIONS FOR SHELF MOUNTING

- Flip the shelf upside-down and directly mount the accessories to the shelf when dedicating a shelf for cabinets and/or drawers using 1/4"-20 x 3/4" bolts and 1/4"-20 whiz-nuts.
- Install the cabinets and/or drawers following the instructions below when unoccupied shelf space is needed for additional storage.
- Drawer and bin units will require removal of the bottom drawer or the bins that are directly above the pre-punched mounting holes.

STEP 1. Determine where you will locate your accessory cabinets on the shelf and identify the four mounting holes needed to attach it to the shelf. Make sure you have enough vertical clearance for the cabinet.

STEP 2. With the shelf in the normal assembled orientation, insert four retaining washers into holes in bottom surface of the shelf.

STEP 3. Working from the underside of the shelf, insert four 1/4"-20 x 3" bolts upwards through the holes in the shelf and the retaining washers such that most of the bolt is through the shelf.

STEP 4. Place the four Nylon Spacers over the bolts. Bolts should be roughly level with the top of the spacer.

STEP 5. Insert two shelf dividers (included with the Weather Guard shelf unit) into slots underneath where the cabinet accessory will be installed. Cut the Edge Guard to fit the two dividers and press in place.

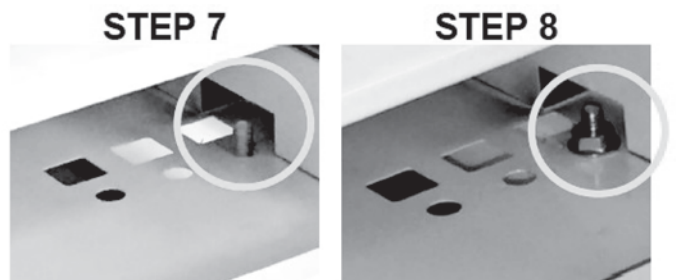
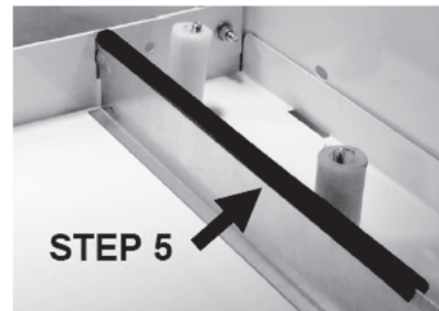
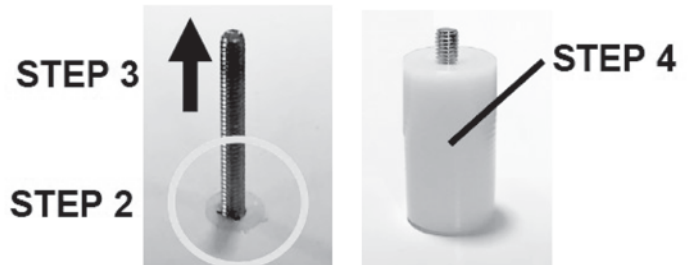
The dividers will prevent parts, tools, or debris from getting stuck under the cabinet.

STEP 6. Remove the bottom drawer or row of bins from the cabinet accessory.

STEP 7. Place the cabinet on to the spacers and dividers and push the bolts through the mounting holes in the bottom of the cabinet.

STEP 8. Thread the Whiz-nuts on to the bolts and securely tighten the bolts to the shelf with the nuts.

STEP 9. Replace the bottom drawer of bins in the cabinet.



The hardware kit includes mounting spacers and hardware to attach cabinets to 13-1/2" deep or 16" deep Weather Guard van shelving as shown. Cabinets can also be mounted directly to an inverted shelf when dedicating a shelf for cabinets and drawers.

INSTALLATION INSTRUCTIONS FOR FLOOR MOUNTING

- Check the fit of floor mounted accessories and shelf units in the can before drilling holes in the floor.
- Review the vehicle manufacturer's body builder guide to make sure your desired mounting location is in accordance.
- It is always better to through-bolt when possible.
- If stacking units, it is recommended to secure the upper unit to the side wall of the vehicle as well as the shelves.
- Use the widest possible mounting holes to maximize stability.

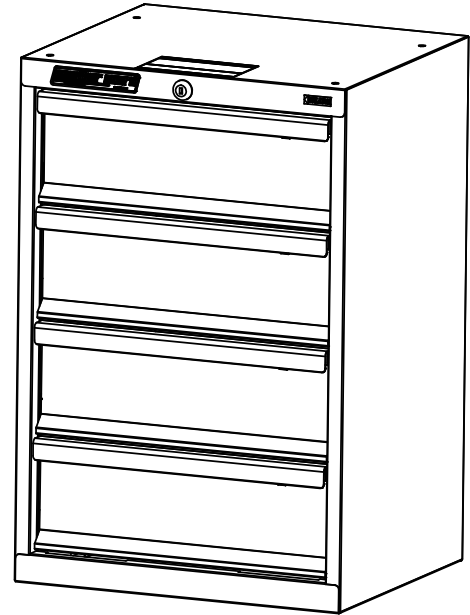
STEP 1. Place the drawer unit in position and mark through the holes in the floor of the cabinet.

STEP 2. Remove the drawer unit and drill the locations with a 3/8" drill bit. It will help to drill a pilot hole using a 1/8" drill bit.

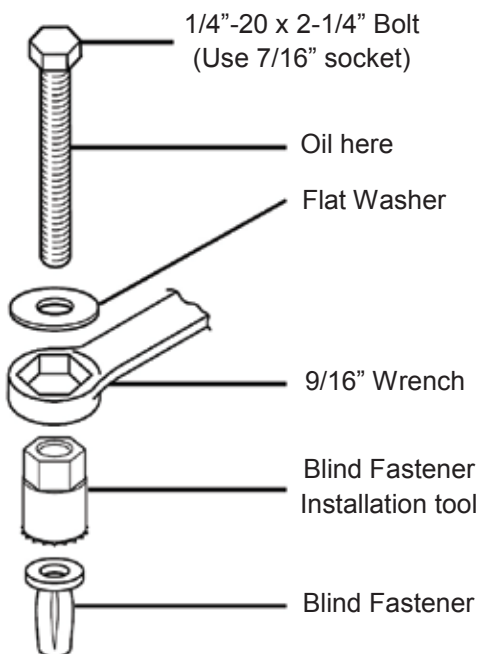
STEP 3. Mount the drawer unit using the provided hardware. ***Through-bolting the drawer unit will provide the most stable installation.*** Install the blind fasteners when through-bolting is not an option.

STEP 4. Tighten the hardware.

STEP 5. Re-install the bottom drawer.



INSTALLATION INSTRUCTIONS FOR BLIND FASTENERS



- It will help keeping the assembly cooler by placing a drop of oil on the 1/4"-20 x 2-1/4" bolt before assembling as shown.
- Place the blind fastener in the hole and use a 7/16" socket and driver to tighten the bolt until the blind fastener is fully seated.
- When setting the bolt, it will start out tight and will get easier as the blind fastener "bulbs" out until it bottoms out.
- Make sure the blind fastener and the installation tool do not slip during the process.

WARNING

This product is only intended and safe for use in storing and transporting small tools, equipment and other similar materials. These instructions are to be followed using the parts and fasteners supplied for proper installation. Any modifications or improper installation of this product will create a hazardous condition that could result in death, serious personal injury and/or property damage.

All floor mounting bolts near the fuel tank area should be installed from the underside of the vehicle, to guard against the fuel tank being punctured in the event of a collision. This would mean not using Blind Fasteners in this area. Holes in this area should be 5/16". Ensure ample space in roof ribs and sidewall ribs for mounting screws so as not to puncture exterior roof or wall.

Do not install this product where it could interfere with deployment of air bags. Failure to comply could result in death or serious body injury.

- NOTICE -

Any modification or unintended use of this product shall immediately void all manufacturers warranties. Manufacturer disclaims all liability for injuries to persons or property resulting from any modification to, or unintended use of this product.

KNAACK LLC LIMITED LIFETIME WARRANTY FOR WEATHER GUARD® PRODUCTS

WEATHER GUARD® Products - Limited Lifetime Warranty (Purchased on or after 1/1/2009)

KNAACK LLC (the "Manufacturer") warrants to the original purchaser only that WEATHER GUARD® Truck and Van Products (the "WEATHER GUARD® Product") will be free from defects in material and workmanship from the date of purchase and continuing for the expected lifetime of the WEATHER GUARD® Product. A copy of the original sales receipt must be supplied to the Manufacturer at the time a warranty claim is made. This warranty terminates if the original purchaser transfers the WEATHER GUARD® Product to any other person.

What is Covered

All WEATHER GUARD® Products identified above that are purchased on or after January 1, 2009.

What We Will Do To Correct Problems

Subject to the limitations and exclusions described in this limited warranty, the Manufacturer will remedy defects in materials or workmanship by of the following remedies at its option and without charge to the original purchaser for parts or labor: (a) repairing the defective portion of the WEATHER GUARD® providing one Product or (b) replacing the entire WEATHER GUARD® Product. In addition, the Manufacturer may elect at its option, not to repair or replace the WEATHER GUARD® Product, but rather issue to the original purchaser a refund equal to the purchase price paid for the WEATHER GUARD® Product or a credit to be used toward the purchase of a new WEATHER GUARD® Product.

What is Not Covered

This limited warranty expressly excludes:

Defects caused by normal wear and tear, cosmetic rust, scratches, accidents, unlawful vehicle operation, or modification to the product, or any types or repair of a WEATHER GUARD® Product other than those authorized or provided by the Manufacturer.

Defects resulting from conditions beyond the Manufacturer's control including, but not limited to misuse, overloading, or failure to assemble, mount or use the WEATHER GUARD® Product in accordance with the Manufacturer's written instructions or guidelines included with the WEATHER GUARD® Product or made available to the original purchaser.

Damage to the contents of the box or vehicle.

TO THE EXTENT PERMITTED BY LAW, IN NO EVENT SHALL THE MANUFACTURER BE LIABLE FOR ANY INCIDENTAL, SPECIAL, INDIRECT, OR CONSEQUENTIAL DAMAGES, INCLUDING ANY ECONOMIC LOSS, WHETHER RESULTING FROM NONPERFORMANCE, USE, MISUSE OR INABILITY TO USE THE WEATHER GUARD® PRODUCT OR THE MANUFACTURER'S NEGLIGENCE.

No Other Express Warranty Applies

This Limited Lifetime Warranty is the sole and exclusive warranty for WEATHER GUARD® Products. No employee, agent, dealer, or other person is authorized to alter this warranty or make any other warranty on behalf of KNAACK LLC.

Notification Procedures

If the WEATHER GUARD® Product does not conform with the terms of this limited warranty, the original owner must promptly notify the Manufacturer in writing upon discovery of the nonconformity. In order to receive the remedies under this limited warranty, the warranty claim must describe the nature of the nonconformity, and a copy of the original sales receipt, invoice, bill or other proof of purchase must accompany the claim. Repairs or modifications made to WEATHER GUARD® Product by other than the Manufacturer or its authorized agent will nullify this limited warranty. Coverage under this limited warranty is conditioned at all times upon the owner's compliance with these required notification and repair procedures. Warranty claims must include reciprocal contact information and may be made via certified mail to:

KNAACK LLC
ATTN: Warranty Claims
420 E. Terra Cotta Avenue
Crystal Lake, IL 60014

If you have any questions, please call toll free at 1-800-456-7865

© 2018 Wernerco

