

FAMILY OWNED AND OPERATED SINCE 1933



Hannay Reels®
The reel leader.

Cable Reels



**You
Can't Buy
A Better
Reel**

Rescue and HazMat Operations • Agriculture
Grounds Maintenance and MRO • Electric Tools
Video Inspection • Portable Lighting • Broadcast/Entertainment
Auxiliary Leads for Power Generation • Hoist and Crane Operations
• Static Grounding • Utility Grounding

www.hannay.com

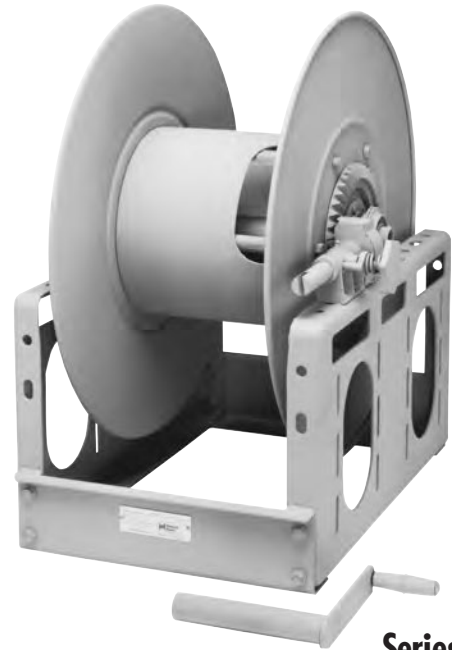
Pride in workmanship • Reels built to order • Consistent quality • Service with integrity • Value for your dollar



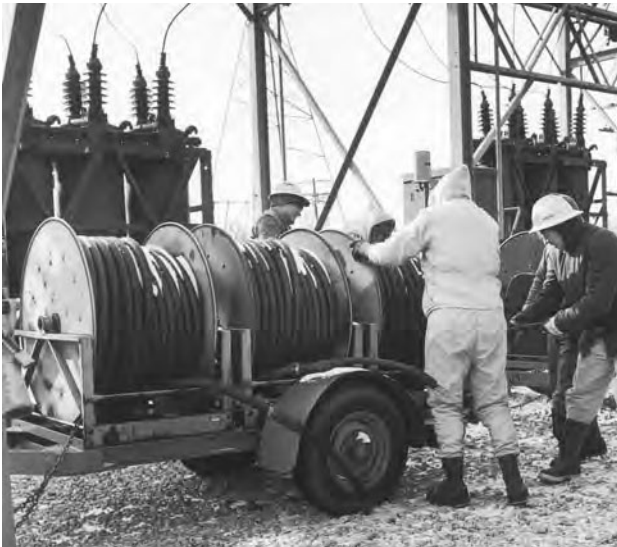
MANUAL AND POWER REWIND REELS

For storage only. No live connections.

- Heavy-duty reels.
- 4-1/2" x 4-1/2" (114.3 mm x 114.3 mm) opening in the drum.
- Many optional configurations available.
- Gear driven crank rewind; or chain and sprocket drive powered by electric, compressed air, or hydraulic motor.
- Auxiliary crank rewind is available on power reels.
- Crank rewind reels supplied with pinion brake.
- Power rewind standard with a comet brake.
- Consult factory for other brakes and locking devices.
- Rollers and roller mounting brackets are accessory items. Specify roller position.
- Divider discs available. Specify spacing.
- Drum diameters other than the standard are available.
- Note: larger drum diameter reduces reel capacity.



Series C
Standard
Configuration
Shown



For decades electrical utilities all across America have relied on rugged Hannay cable storage reels to protect high-voltage cable from damage.

Hannay Spring Powered Reels have the reliability you can count on. See page 8.





Parts Drawing – ISO 71

Model Number For Power Rewind See Note 5	Cable Capacity of Reel <u>feet</u> m.			Approx. Weight Crank Rewind <u>lb.</u> kg.		Reel Dimensions*** <u>inches</u> mm.									
	O.D. (in) O.D. (mm)	3/4" 19	1" 25	NET	SHIP	A	B	D	E	F CRANK	F POWER	G	H	X	Y
C20-19-21		250 76	150 46	66 30	101 46	17 432	11.5 292	20.5 521	18.75 476	20 508	24.5 622	21.5 546	12.12 308	9 229	16.75 425
C26-19-21		350 107	200 61	78 35	113 51	23 584	17.5 445	20.5 521	18.75 476	26 660	30.5 775	21.5 546	12.12 308	15 381	16.75 425
C20-23-24		–	250 76	73 33	108 49	17 432	11.5 292	20.5 521	22.75 578	20 508	24.5 622	23.5 597	12.12 308	9 229	16.75 425
C28-23-24		–	475 145	89 40	124 56	25.5 648	20 508	20.5 521	22.75 578	28.5 724	33 838	23.5 597	12.12 308	17.5 445	16.75 425
C20-25-26		–	325 99	86 39	121 55	17 432	11.5 292	25.5 648	24.75 629	20 508	24.5 622	27.88 708	15.5 394	9 229	21.75 552
C24-25-26		–	450 137	94 943	129 59	21 533	15.5 394	25.5 648	24.75 629	24 610	28.5 724	27.88 708	15.5 394	13 330	21.75 552
C18-30-31		–	375 114	90 41	125 57	15 381	9.5 241	25.5 648	28.75 730	18 457	22.5 572	29.88 759	15.5 394	7 178	21.75 552

Notes:

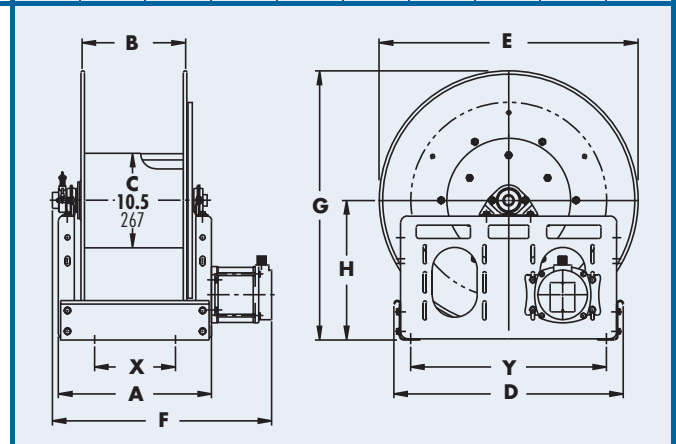
- Specifications subject to change.
- Upon request, reels can be supplied with drum lengths other than shown and with disc sizes in other diameters.
- Dimensions reflect pressed frames.
- Weights shown in chart are for crank rewind models. Add these amounts for power rewind models.

	Net (lbs.)/kg	Ship (lbs.)/kg
Electric	40/18.1	40/18.1
Hydraulic	20/9.1	20/9.1
Air	20/9.1	20/9.1

- When ordering power rewind models, prefix model number with:
A = Air Rewind E = Electric Rewind HD = Hydraulic Rewind
(Air rewind reels are supplied with control valve and 18" air hose;
12v and 24v DC rewind reels are supplied with switch and solenoid; 115v AC
rewind reels are not supplied with switch but can be ordered separately;
hydraulic rewind reels are not supplied with control valve.)

6. Be sure to check dimensions and weights prior to ordering.

***x,y indicate mounting holes



C3200/C1500

MANUAL AND POWER REWIND STORAGE REELS

For storage only. No live connections.

Series C3200

- 4-1/2" x 4-1/2" (114.3 mm x 114.3 mm) drum opening.
- Disc rewind or optional removable direct crank rewind.
- Spring actuated pin lock.

Series C1500

- 1-1/8" x 2-3/8" (28.6 mm x 60.3 mm) drum opening.
- Direct crank is permanently attached.
- Removable crank optional.
- Also available chain and sprocket rewind powered by electric, compressed air or hydraulic motor.
- Spring actuated pin lock.
- Adjustable Cam-lock drag brake.
- Consult factory for other brakes or locking devices.
- Rollers and roller mounting brackets are accessory items. Specify roller position.
- Divider discs are available, specify spacing of discs.
- Consult factory for other drum diameters.
- Note: larger drum diameter reduces reel capacity.



Series C3200
Standard Configuration shown

Shown with
Optional
Crank Handle



Series C1500
Shown with Optional Slotted Divider Disc



Series C1500
Standard Configuration shown

C3200/C1500

Parts Drawing: Series C3200 – ISO 117; Series C1500 – ISO 179

Model Number For Power Rewind See Note 5	Cable Capacity of Reel feet m.					Approx. Weight Crank Rewind ⁴ lb. kg.		Reel Dimensions*** inches mm.									
	O.D. (in) O.D. (mm)	1/4" 6	1/2" 13	3/4" 19	1" 25	NET	SHIP	A	B	C	E CRANK	E PWR	F CRANK	F PWR	G	H	X
C3216-25-26	-	-	-	350 107	150 46	81 37	123 56	13 330	7.5 191	10.5 267	24.75 629	-	20 508	-	27.88 708	15.5 394	7.75 197
C3218-25-26	-	-	-	450 137	200 61	85 39	127 58	15 381	9.5 241	10.5 267	24.75 629	-	22 559	-	27.88 708	15.5 394	7 178
C3222-25-26	-	-	-	700 213	300 91	93 42	135 61	19 483	13.5 343	10.5 267	24.75 629	-	26 660	-	27.88 708	15.5 394	11 279
C3230-25-26	-	-	-	500 152	300 91	113 51	155 70	27.5 699	22 559	10.5 267	24.75 629	-	34.5 876	-	27.88 708	15.5 394	19.5 495
C1512-17-18	-	900 274	200 61	-	-	22 10	53* 24	9 229	4 102	6 152	16.5 419	19 483	15.5 394	14.5 368	18.12 460	9.88 251	7.5 191
C1514-17-18	-	1300 369	300 91	-	-	23 10	68* 31	11 279	6 152	6 152	16.5 419	19 483	17.5 445	16.5 419	18.12 460	9.88 251	9.5 241
C1516-17-18	-	-	400 122	-	-	24 11	68* 31	13 330	8 203	6 152	16.5 419	19 483	19.5 495	18.5 470	18.12 460	9.88 251	11.5 292
C1520-17-18	-	-	650 198	-	-	25 11	80* 36	17 432	12 305	6 152	16.5 419	19 483	23.5 597	22.5 572	18.12 460	9.88 251	15.5 394
C1526-17-18	-	-	900 274	-	-	31 14	98* 44	23 584	18 457	6 152	16.5 419	19 483	29.5 749	28.5 724	18.12 460	9.88 251	21.5 546
C1530-17-18	-	-	1000 305	-	-	33 15	110* 50	27 686	22 559	6 152	16.5 419	19 483	33.5 851	32.5 826	18.12 460	9.88 251	25.5 648

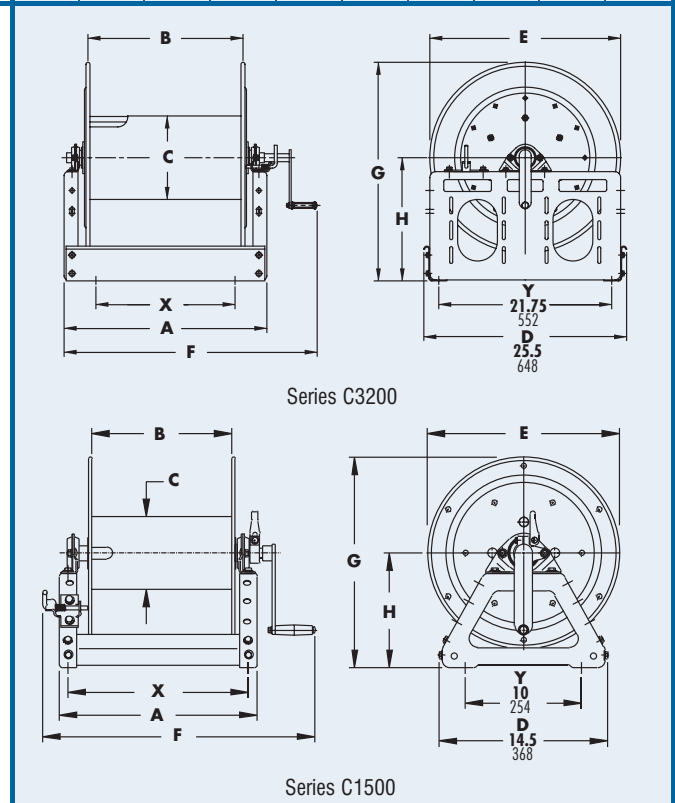
Notes:

- Specifications subject to change.
- Upon request, reels can be supplied with drum lengths other than shown.
- Dimensions reflect pressed frames.
- Weights shown in chart for C1500 series are for crank rewind models. Add these amounts for power rewind models.

	Net (lbs.)/kg	Ship (lbs.)/kg
Electric	18/8.2	18/8.2
Hydraulic	15/6.8	15/6.8
Air	15/6.8	15/6.8

- When ordering power rewind models (C1500 only), prefix model number with:
A = Air Rewind E = Electric Rewind HD = Hydraulic Rewind
(Air rewind reels are supplied with control valve and 18" air hose; 12v and 24v DC rewind reels are supplied with switch and solenoid; 115v AC rewind reels are not supplied with switch but can be ordered separately; hydraulic rewind reels are not supplied with control valve.)
- Series C3200 requires 3-1/2" clearance to remove crank handle.
- Subtract 5" from 'F' dimension for disc rewind on C3200 Series.
- Manual rewind available in RT or LB configurations only.
- 9. Be sure to check dimensions and weights prior to ordering.**

* Dimensional weight applies when shipped as a parcel package (via FedEx or UPS ground).
***x,y indicate mounting holes





MANUAL AND POWER REWIND REELS

To handle live electric cable.

- 3-conductor 45 amp 600 volt collector assembly with #8 gauge wiring.
- Double brushes per circuit. Brushes are copper graphite, copper alloy rings.
- Additional conductors or higher amperage (up to 100 amps) are available at extra cost, must be specified. (300 amps possible with custom design).
- Silver collector assemblies are available.
- Rollers and roller mounting brackets are accessory items. Specify roller position.

Series CR1600

- Removable direct crank rewind.
- Adjustable Cam-lock drag brake.

Series ECR1600*

- Optional drag brake is available.
- Some roller options may prohibit the use of our molded chain guard.

Series CR6600

- Gear-driven crank rewind.

Series ECR6600

- Chain and sprocket drive powered by electric, compressed air, or hydraulic motor.
- Auxiliary rewind and pinion brake standard.
- Consult factory for other brakes.
- Optional chain guards are available upon request..



Optional External Mounting Brackets

Part No. 9906.0025
Available for CR1600 & ECR1600 Models



Series CR1600 (Manual Rewind)
Left Top Shown (Standard Configuration is Right Top)



Series ECR1600 (Power Rewind)
Standard Configuration shown



Series ECR6600 (Power Rewind)
Optional Left Top Configuration shown

* For CR reels with minimized height or depth requirements refer to our Rescue Reels catalog H0503-R



ELFCR1600 shown

Choose an ELFCR Model when
Height of reel must be minimized



ESFCR1600 shown

Choose an ESFCR Model when
Depth of reel must be minimized



Parts Drawing: Series CR1600 – ISO 76, Series CR6600 – ISO 45

Model Number	Cable Capacity of Reel feet m.						Approx. Weight Crank Rewind lb. kg.		Reel Dimensions*** inches mm.												
	GA./NO. OF CONDUCTORS						NET	SHIP	A	B	C	D	E CRANK	E PWR.	F CRANK	F PWR.	G	H	X	Y	
	14/3	12/3	10/3	8/3	12/4	10/4															
	O.D. (in)	.530	.600	.690	.750	.750															
	O.D. (mm)	14	15	18	19	19															
CR1614-17-18		225 69	175 53	100 30	– –	100 30	30 14	68* 31	11 279	6 152	6 152	14.5 368	16.5 419	19 483	21.75 552	17.5 445	18.12 460	9.88 251	9.5 241	10 254	
CR1616-17-18		300 91	200 61	150 46	– –	150 46	32 15	68* 31	13 330	8 203	6 152	14.5 368	16.5 419	19 483	23.75 603	19.5 495	18.12 460	9.88 251	11.5 292	10 254	
CR1618-17-18		350 107	275 84	200 61	– –	200 61	33 15	80* 36	15 381	10 254	6 152	14.5 368	16.5 419	19 483	25.75 654	21.5 546	18.12 460	9.88 251	13.5 343	10 254	
CR1620-17-18		450 137	350 107	250 76	– –	250 76	34 15	80* 36	17 432	12 305	6 152	14.5 368	16.5 419	19 483	27.75 705	23.5 597	18.12 460	9.88 251	15.5 394	10 254	
CR6614-19-20		200 61	150 46	100 30	– –	– –	113 51	148 67	11 279	5.5 140	10.5 267	20.5 521	22 559	22 559	16 406	16 406	21.5 546	12.12 308	5.75 146	16.75 425	
CR6614-23-24		– –	300 91	225 69	175 53	– –	120 54	155 70	11 279	5.5 140	10.5 267	20.5 521	23 584	23 584	16 406	16 406	23.5 597	12.12 308	5.75 146	16.75 425	
CR6614-25-26		– –	350 107	250 76	200 61	– –	133 60	168 76	11 279	5.5 140	10.5 267	25.5 648	24.75 629	24.75 629	16 406	16 406	27.88 708	15.5 394	5.75 146	21.75 552	

Notes:

- Specifications subject to change.
- Upon request, reels can be supplied with drum lengths other than shown and with disc sizes in other diameters.
- Dimensions reflect pressed frames.
- Weights shown in chart are for crank rewind models. Add these amounts for power rewind models.

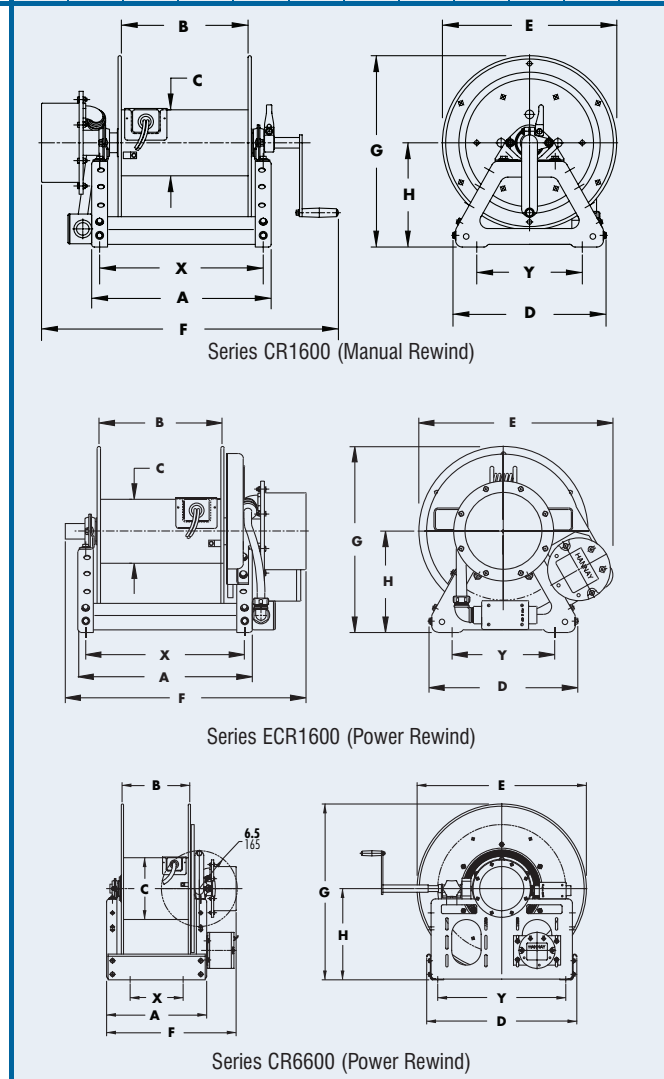
Series CR1600	Net (lbs.)/kg	Ship (lbs.)/kg
Electric	18/8.2	18/8.2
Hydraulic	15/6.8	15/6.8
Air	15/6.8	15/6.8
Series CR6600	Net (lbs.)/kg	Ship (lbs.)/kg
Electric 1/3HP	18/8.2	18/8.2
Hydraulic	20/9.1	20/9.1
Air	20/9.1	20/9.1

- When ordering power rewind models, prefix model number with:
A = Air Rewind E = Electric Rewind (Series CR1600 & CR6600)
EP= Electric Rewind (Series CR6600) HD = Hydraulic Rewind
(Air rewind reels are supplied with control valve and 18" air hose;
12v and 24v DC rewind reels are supplied with switch and solenoid; 115v AC
rewind reels are not supplied with switch but can be ordered separately;
hydraulic rewind reels are not supplied with control valve.)
- Add 2-1/8" to "A" dimension when using external mounting brackets on CR1600, ECR1600 series reels.
- When ordering reels with a 4-conductor, add 2" to F dimensions.

8. Be sure to check dimensions and weights prior to ordering.

* Dimensional weight applies when shipped as a parcel package (via FedEx or UPS ground).

***x,y indicate mounting holes



SCR700/NSCR700

SPRING REWIND REELS

To handle live electric cable.

- Heavy-duty spring motor.
- Non sparking ratchet.
- Declutching arbor.
- Consult factory for constant tension applications.
- 3-conductor 45 amp 600 volt collector assembly with #8 gauge wiring.
- Double brushes per circuit. Brushes are copper graphite with copper alloy rings.
- Additional conductors or higher amperage (up to 300 amps) available, consult factory.
- Silver collector available.
- Supplied with a 4-way roller assembly. Roller position must be specified.
- A cable stop should be used.
- For vertical lift, stretch and/or crane installation, consult factory for proper spring specifications.



Series SCR700
Standard Configuration shown



Series NSCR700
Standard Configuration shown

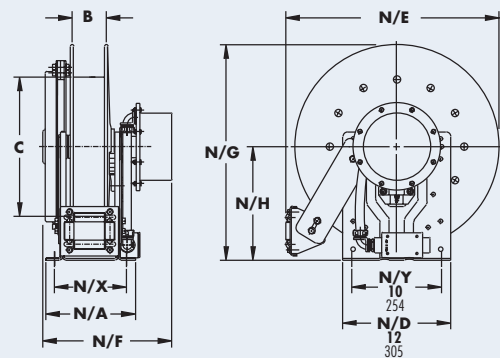
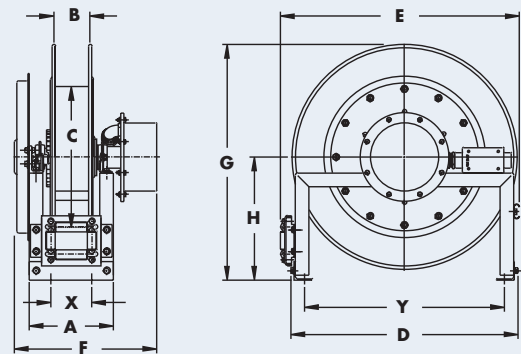
SCR700/NSCR700

Parts Drawing: Series SCR700 – ISO 49, Series NSCR700 – ISO 164

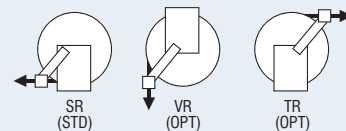
Model Number	Cable Capacity of Reel feet m.					Approx. Weight lb. kg.		Roller Assembly	Reel Dimensions*** inches mm.															
	GA./NO. OF CONDUCTORS					NET	SHIP		A	N/A	B	C	D	E	N/E	F	N/F	G	N/G	H	N/H	X	N/X	Y
	14/3	12/3	10/3	8/3	O.D.																			
	.530" 14mm	.600" 15mm	.690" 18mm	.750" 19mm																				
NSCR715-14-16C	35 11	25 8	-	-	59 27	74 34	N203	-	9 229	3 76	8 203	-	-	17.62 448	-	13.75 349	-	16.12 409	-	9.12 232	-	7 178	-	
NSCR715-16-17C	40 12	35 11	-	-	62 28	77 35	N203	-	9 229	3 76	10.5 267	-	-	18.5 470	-	13.75 349	-	17 432	-	9.12 232	-	7 178	-	
NSCR715-19-20J	50 15	50 15	50 15	50 15	74 34	109 49	N204	8.25 210	9 229	3 76	10.5 267	18 457	19.5 495	20.75 527	15.25 387	13.75 349	19.75 502	20 508	10.38 264	10.62 270	3.5 89	7 178	15 381	
NSCR716-23-24B	75 23	75 23	75 23	75 23	99 45	134 61	N204	9.25 235	10 254	4 102	15.5 394	23.25 591	24.38 619	23.75 603	16.25 413	14.75 375	23.88 607	24 610	12.5 318	12.62 321	4.5 114	8 203	20.25 514	
NSCR716-23-24G	100 30	100 30	-	-	105 48	140 64	N204	9.25 235	10 254	4 102	15.5 394	23.25 591	24.38 619	23.75 603	16.25 413	14.75 375	23.88 607	24 610	12.5 318	12.62 321	4.5 114	8 203	20.25 514	
SCR716-30-31-20A	120 37	120 37	120 37	120 37	127 58	162 73	R204	9.25 235	-	4 102	20 508	28.5 724	29.62 752	-	17 432	-	31.38 797	-	17 432	-	4.5 114	-	25.25 641	

Notes:

1. Specifications subject to change.
 2. For reels with 4-conductor 45 amp collector assemblies, add 2" to "F" dimension.
 3. Reel models and capacities shown are for standard drag applications; for vertical lift applications consult factory.
 4. Other sizes from standard components, available upon request.
 5. Be sure to check dimensions and weights prior to ordering.
 6. Roller assembly is supplied on standard models.
- ***x,y indicate mounting holes



Roller Positions Available



SCR10-17-19

SPRING REWIND REELS

To handle live electric cable.

- Heavy-duty spring motor.
- Non sparking ratchet assembly.
- Declutching arbor.
- 3-conductor 30 amp.
- 6 foot power source.
- 15 amp, 3 prong straight blade plug provided standard. (Twistlock plug is optional).
- Cable stop should be used.



Standard Configuration shown



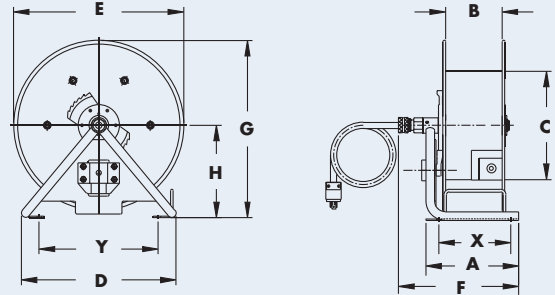
P/N 9939.0004
Optional Roller Mounting Bracket for the SCR 10-17-19 reel

Parts Drawing – ISO 46

Model Number	Cable Capacity of Reel				Approx. Weight		Reel Dimensions***									
	feet				lb.		inches									
	m.				kg.		mm.									
O.D. (in) O.D. (mm)	GA./NO. OF CONDUCTORS			NET	SHIP	A	B	C	D	E	F	G	H	X	Y	
	.390	.530	.600													
SCR10-17-19	70	70	75	42	52*	9.25	6.5	10.5	15	16.5	11.75	17.12	8.94	7	11.25	
	21	21	23	19	24	235	165	267	381	419	298	435	227	178	286	

Notes:

1. Specifications subject to change.
 2. Be sure to check dimensions and weights prior to ordering.
- *When shipped as a parcel package (via FedEx or UPS ground).
***x,y indicate mounting holes



Model SCR10-17-19

LC/CR

PORTABLE ELECTRIC CABLE REELS



LC16-10-11

For:

- Extension Cord
- Broadcast Cable

Model LC16-10-11

- Waterproof duplex.
- Receptacle for 3-pronged plug.
- Twist lock duplex is available.
- Adjustable Cam-lock drag brake.

Series CR

- Compact, lightweight, rugged construction.
- 3-conductor 30 amp collector ring.
- 6-foot power source lead of 12/3 cable.
- 15 amp 3-prong straight blade plug (twist lock optional).
- Adjustable Cam-lock drag brake.

Rewind:

- Crank rewind permanent.



CR Series

For:

- Industrial
- Broadcast
- Agricultural
- Fire and Rescue

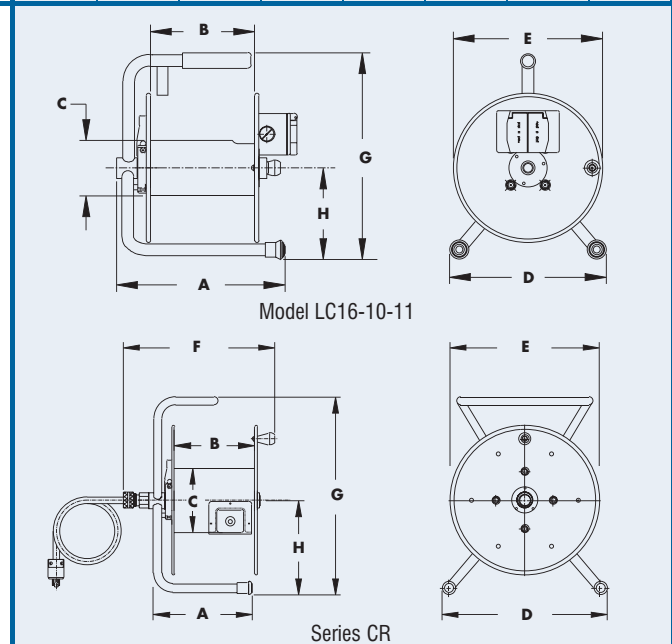
Parts Drawing: Model LC16-10-11 – ISO 120, Series CR – ISO 156

Model Number	Cable Capacity of Reel				Approx. Weight		Reel Dimensions							
	feet m.				lb. kg.		inches mm.							
	GA./NO. OF CONDUCTORS				NET	SHIP	A	B	C	D	E	F	G	H
O.D. (in) O.D. (mm)	16/3 .39 10	14/3 .53 13	12/3 .60 15											
LC16-10-11	275 84	125 38	100 30	14 6	17* 8	11.75 298	7.5 190	4 102	11.88 302	10.75 273	12.25 311	15 381	6.88 175	
CR16-14-16	400 122	200 61	150 46	24 11	58* 26	9.25 235	7.5 190	6 152	15.5 394	14 356	14.5 368	18.5 470	8.88 226	
CR16-17-18	650 198	300 91	250 76	28 13	58* 26	9.25 235	7.5 190	6 152	15.5 394	16.5 419	14.5 368	18.5 470	8.88 226	

Notes:

1. Specifications subject to change.
2. Be sure to check dimensions and weights prior to ordering.

*Dimensional weight applies when shipped as a parcel package (via FedEx or UPS ground).



Optional 15-amp 3prong straight blade receptacle recessed in drum.
Part No: 9955.0090



PORTABLE STORAGE REELS

No live connections.

Model C16-10-11

- Small, lightweight, durable.
- Adjustable Cam-lock drag brake.
- Optional Storage Drum Extension.

Model C20-14-16

- Strong, portable.
- Adjustable Cam-lock drag brake.
- Permanent crank rewind.
- Optional pin lock available.
- Optional Storage Drum Extension.



C16-10-11-DE
(DE = Drum Extension)



C16-10-11

- For:
- Broadcast Cable
 - Extension Cord
 - Rope



C20-14-16

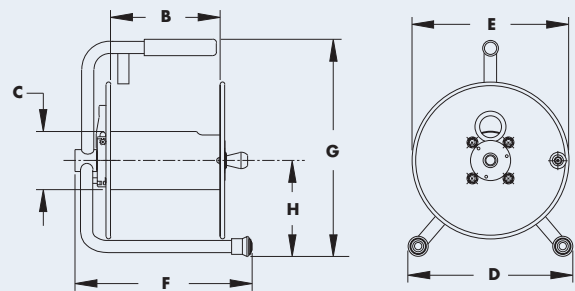
- For:
- Broadcast Cable
 - Extension Cord
 - Forestry Fire Hose
 - Rope

Parts Drawing: Model C16-10-11 – ISO 88, Model C20-14-16 – ISO 121

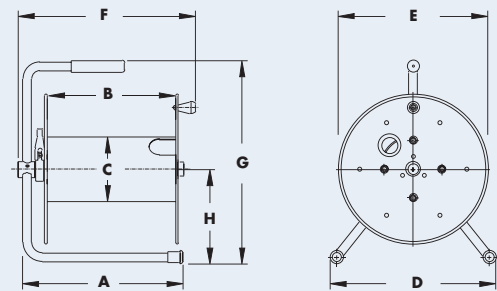
Model Number	Cable Capacity of Reel			Approx. Weight		Reel Dimensions*							
	feet			lb.		inches							
	m.			kg.		mm.							
	GA./NO. OF CONDUCTORS			NET	SHIP	A	B	C	D	E	F	G	H
	16/3	14/3	12/3										
C16-10-11	275	125	100	10	17*	—	7.5	4	11.88	10.75	12.25	14.75	6.88
	84	38	30	5	8	—	191	102	302	273	311	375	175
C20-14-16	—	350	250	18	58*	15	12	6	15.5	14	16.75	19	8.62
	—	107	76	8	26	381	305	152	394	356	425	483	219
C16-10-11-DE	280	130	105	10	17*	11.5	7.5	4	11.88	10.75	14.25	14.75	6.88
	85	40	32	5	8	292	191	102	302	273	362	375	175
C20-14-16-DE	—	355	255	18	58*	15	12	6	15.5	14	18.75	19	8.62
	—	108	78	8	26	381	305	152	394	356	476	483	219

Notes:

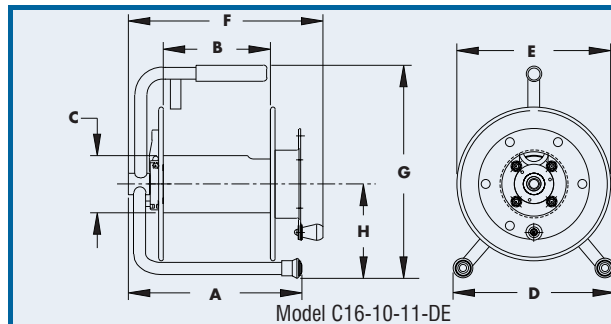
1. Specifications subject to change.
 2. These storage reels have no live connections.
 3. Be sure to check dimensions and weights prior to ordering.
- *Dimensional weight applies when shipped as a parcel package (via FedEx or UPS ground).



Model C16-10-11



Model C20-14-16

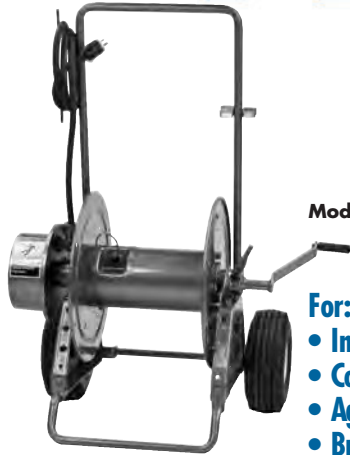


Model C16-10-11-DE

AT1300/4300

PORTABLE CABLE REEL ON WHEELS

Model AT1300.



Model AT1300

For:

- Industrial Maintenance
- Construction
- Agriculture
- Broadcast
- Grounds Maintenance

- Removable direct crank rewind reel.
- Adjustable Cam-lock drag brake.
- 3 conductor 45 amp collector ring is standard.
- 6-foot power source lead of 10/3 cable.
- 15 amp 3-prong straight blade (twist lock optional).
- Additional conductors available, consult factory.
- Direct offset rewind crank.

ALUMINUM HAND TRUCK

Model 4300-AL. P/N 9906.0795

For portability of hose and cable reels.



- Large pneumatic tires.
- Reel permanently attached.
- Overall dimensions will vary according to the reel model used.
- Hand truck, axle and wheels shipped separately for customer installation. Specify if reel axis is perpendicular or parallel to truck axle.

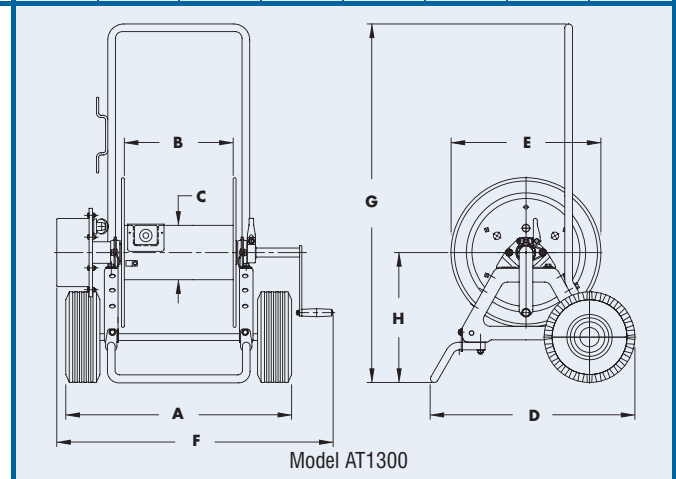
Assembled 4300-AL truck with reel attached

Parts Drawing – ISO 189

Model Number	Cable Capacity of Reel				Approx. Weight		Reel Dimensions							
	feet				lb.		inches							
	m.				kg.		mm.							
	GA./NO. OF CONDUCTORS				NET	SHIP	A	B	C	D	E	F	G	H
	14/3	12/3	10/3											
	Q.D. (in)	.53	.60	.69										
	O.D. (mm)	14	15	18										
AT1300		500	400	300	70	102	24.75	12	6	23.5	16.5	31.75	42.5	14.31
		152	122	91	32	46	629	305	152	597	419	806	1080	363

Notes:

1. Specifications subject to change.
2. Truck is also sold separately. Maximum reel size dimensions when installed on hand truck:
A=32" (812.8mm), B=27" (685.8mm), E=32" (812.8mm)
3. Be sure to check dimensions and weights prior to ordering.



C1150/ATC1250

PORTABLE STORAGE REELS ON WHEELS

No live connections.

Model C1150

- 7/8" x 1-3/4" (22.2 mm x 44.4 mm) opening.
- Adjustable Cam-lock drag brake.

Model ATC1250

- Pneumatic tires.
- 4" x 5-1/2" (101.6 mm x 139.7 mm) opening.
- Adjustable Cam-lock drag brake.



Model C1150



Model ATC1250

- For:
- Industrial Maintenance
 - Construction
 - Agriculture
 - Grounds Maintenance

Parts Drawing: Model C1150 – ISO 48, Model ATC1250 – ISO 87

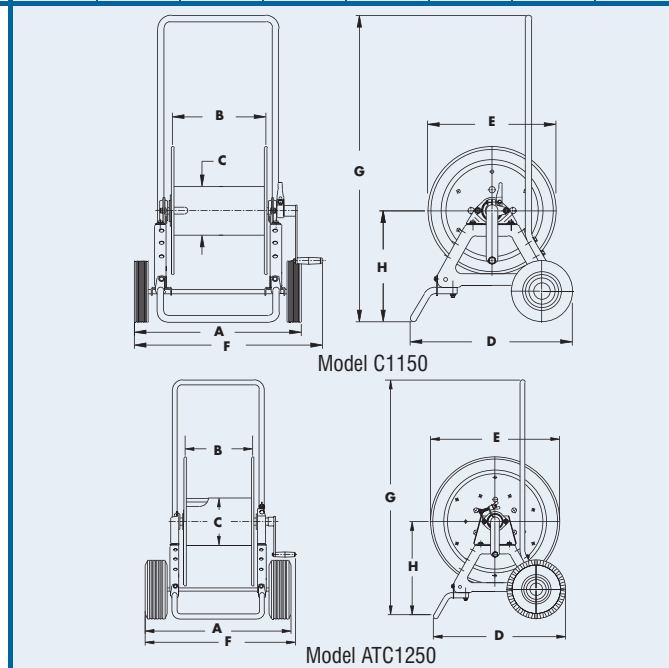
Model Number	Cable Capacity of Reel feet m.				Approx. Weight lb. kg.		Reel Dimensions inches mm.							
	GA./NO. OF CONDUCTORS				NET	SHIP	A	B	C	D	E	F	G	H
	O.D. (in) O.D. (mm)	16/3 .390 10	14/3 .530 14	12/3 .600 15										
C1150	1100 335	500 152	400 122	300 91	44 20	100* 45	21.5 546	12 305	6 152	22 559	16.5 419	24.25 616	39 991	13.81 351
ATC1250	1800 549	950 290	750 229	550 168	82 37	147* 67	24.88 632	11.5 292	8 203	23 584	23 584	26.5 673	40 1016	17.25 438

Notes:

- Specifications subject to change.
1. When ordering C1150 and ATC1250, specify model number, O.D., length and weight of cable, hose, etc.
 2. These storage reels have no live connections.

3. Be sure to check dimensions and weights prior to ordering.

*Dimensional weight applies when shipped as a parcel package (via FedEx or UPS ground) – some assembly required.



CUSTOM ENGINEERING

Reels and spools.

Custom spools and reels for cable handling and storage can be built in an almost limitless range of sizes and with a wide variety of special features, such as divider discs, slotted discs, casters, etc. All rewind mechanisms described in this catalog can be specified for custom-built reels. To meet special requirements, motors used to power chain and sprocket rewind mechanisms can be mounted off the reel or within the reel frame.

Spools include the discs, tie-rods and spacers, and the drum. Since discs are inventoried in a range of standard diameters, and drum lengths can be adjusted, spools can be supplied to accommodate a wide range of cable sizes and lengths.

Orders and quotations:

See order form to supply proper information for orders or quotations, found in *Ordering & Accessory Guide H-0415-OA*.

Requests for quotations for custom reels and spools should include:

- Complete specifications on cable size and length and weight.
- O.D. and bending radius of cable.
- Number of conductors, voltage and amperage.
- Type of rewind mechanism, including available power for electric, hydraulic or air rewind motors.
- Complete description of how reel is to be installed and used.
- Specification of any accessories.



CABLE CONVERSIONS

Power/Control Cable

Wire Size (AWG)/ Conductors	Area (Per Conductor)	
	Circ. Mils	Sq. mm
16/3	2,600	1.3
14/3	4,100	2.1
12/3	6,500	3.3
10/3	10,500	5.3
8/3	16,800	8.5

CABLE CHART

TYPE SOOW—600 Volt					
NO. OF COND.	AWG SIZE	NOMINAL O.D.		CURRENT AMPS	WEIGHT LBS./M.
		INCHES	MM		
2	18	0.345	8.74	10	75
3	18	0.365	9.27	10	87
4	18	0.390	9.91	7	102
2	16	0.370	9.40	13	78
3	16	0.390	9.91	13	105
4	16	0.415	10.54	10	120
2	14	0.500	12.70	18	151
3	14	0.530	13.46	18	176
4	14	0.570	14.48	15	210
2	12	0.575	14.61	25	201
3	12	0.600	15.24	25	235
4	12	0.650	16.51	20	291
2	10	0.625	15.88	30	245
3	10	0.660	16.76	30	307
4	10	0.710	18.03	25	360
2	8	0.675	17.15	40	300
3	8	0.725	18.42	40	383
4	8	0.780	19.81	35	511
5	8	0.875	22.23	28	633

STATIC GROUNDING REELS

FOR REFUELING OR HAZARDOUS AREAS

- Aircraft Refueling • Chemical Plants
- Grain Elevators • Rescue and HazMat Operations

- These reels bond and/or ground aircraft, fuel trucks and other equipment.
- Provide smooth operation and require minimum cable pull.
- Declutching arbor and adjustable guide arm with cable guide.
- Optional stainless steel construction of spool, frame & ratchet system available on HGR series.
- Standard finish is oven-cured enamel.
- Also available, manual rewind version.
- All shown with optional cable and/or "Y" branch.

WARNING
These Reels are for Static Grounding ONLY
NOT intended for lightning protection!



Optional Grounding Jack
per MIL-C-8341D/4
Part No. 9951.0033



Optional Browne Clamp
Part No. 9951.0031
(ALS-10)



Model HGR 50
(shown with optional "Y" branch)



Model HGR 50



Model HGR100



Model MHGR 50



Model GR 75



Model MGR 75

GR/HGR

- Available with 1/8", 7x19 galvanized carbon steel cable
- 100 amp Alligator Clamp.
- Stainless steel or plastic-covered cable and "Y" branches are available at an additional charge.
- Cable guide arm of cast aluminum and 2A+12 Alum Zinc Alloy.

Series GR75

- Sealed spring is a good economical choice compact and lightweight.

Series HGR

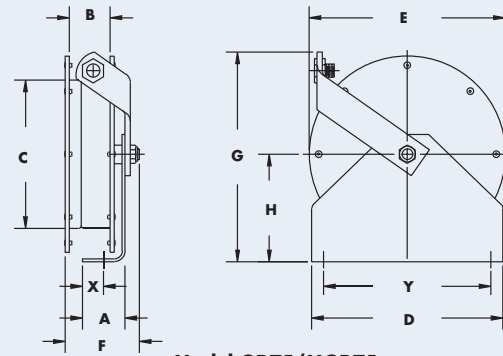
- A non-sparking ratchet assembly.
- Reels are repairable and parts are readily available.
- Supplied with 18" long grounding strap with eyelet connectors on both ends.

Parts Drawing: HGR Series – ISO 10

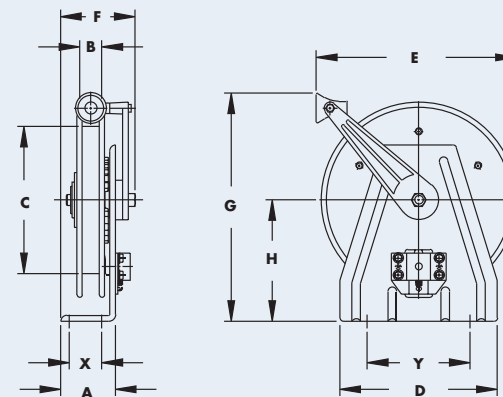
Model Number	Cable Capacity of Reel feet m.	Approx. Weight lb. kg		Reel Dimensions*** inches mm									
		Without cable	With cable	A	B	C	D	E	F	G	H	X	Y
GR 75	75 23	11	14*	2	2	7	9	9.25	3.5	9.88	5.06	1	7.88
		5	6	51	51	178	229	235	89	251	129	25	200
MGR 75	100 30	11	13*	2	2	7	9	9.25	5.25	9.88	5.06	1	7.88
		5	6	51	51	178	229	235	133	251	129	25	200
HGR 50	75 23	28	30*	4	1.25	10.75	11.5	14.25	5.5	16.75	8.88	2.38	7.5
		13	14	102	32	273	292	362	159	425	226	60	191
MHGR 50	150 46	19	23*	4	1.25	10.75	11.5	14.25	6.25	16.75	8.88	2.38	7.5
		9	10	102	32	273	292	362	159	425	226	60	191
HGR 100	100 30	37	41*	4	1.25	13.25	11.5	16.75	5.5	17.75	8.88	2.38	7.5
		17	19	102	32	337	292	425	140	451	226	60	191
MHGR 100	200 61	25	31*	4	1.25	13.25	11.5	16.75	6.25	17.75	8.88	2.38	7.5
		11	14	102	32	337	292	425	159	451	226	60	191

Notes:

1. Specifications subject to change.
 2. When ordering, specify model number, gauge, OD, length and coating if required.
 3. Specify Y branch if required.
 4. Specify Finish: if other than standard.
Reels can be shipped as a parcel package (via FedEx or UPS ground).
- *** x,y indicate mounting holes.



Model GR75/MGR75
GR75 Shown



Models HGR50/HGR100/MHGR50
HGR Shown

Utility Grounding Reels

TRUCK GROUNDING REELS

- **Construction Vehicles**
- **Utility Vehicles**
- **Maintenance Vehicles**
- **Rescue & HazMat Vehicles**
- *Easy cable pay-out.*
- *Quick and convenient rewind gets you back in service fast.*
- *Heavy-duty steel construction stands up to demanding field use.*
- *Direct access to lube rotary ground device*
- *Serviceable pawl and pin assembly*
- *Easily greaseable Zerk fitting*
- *Independently tested to 43 kA for 30 cycles.**
- *Bolt-down design.*
- *Manual or Automatic Spring Rewind available.*
- *Helps meet OSHA requirements for vehicle grounding.***
- *Supplied with or without optional cable & clamp.*



**Model SGCR 10-17-19
Spring Rewind**

Standard Configuration Shown



**Model GCR 10-17-19
Manual Rewind**

Standard Configuration Shown

* Although Hannay SGCR and GCR series grounding reels are rated to 43 kA for 30 cycles (the maximum fault current rating for 4/0 cable), the size and spring pull force of the reel effectively limits use of these reels to 2/0 cable and smaller. 2/0 cable has a maximum fault current rating of 27 kA. Please refer to ASTM 855-90 (Standard Specification for Temporary Grounding Systems) for more information.

** OSHA Subpart V, Section 1926.952 requires grounding of vehicles working near energized lines or equipment. Hannay grounding reels help meet this requirement and encourage crew compliance by providing a simple, efficient method of handling heavy grounding cable.

SGCR/GCR/GC

Model SGCR 10-17-19 Spring Rewind Grounding Reel

- Fast, convenient automatic spring rewind.
- A ratchet mechanism locks the reel.
- Built-in cable hoop.
- Internal rotary device.

Model GCR 10-17-19 Manual Rewind Grounding Reel

- Offers manual rewind with a hand crank permanently attached to the disc.
- An internal rotary device.

Model GC 10-17-19 Manual Storage Reel (Not Shown)

- "STORAGE ONLY"
- Manual rewind with a hand crank permanently attached to the disc.

Parts Drawing: Model SGCR 10-17-19 – ISO 95

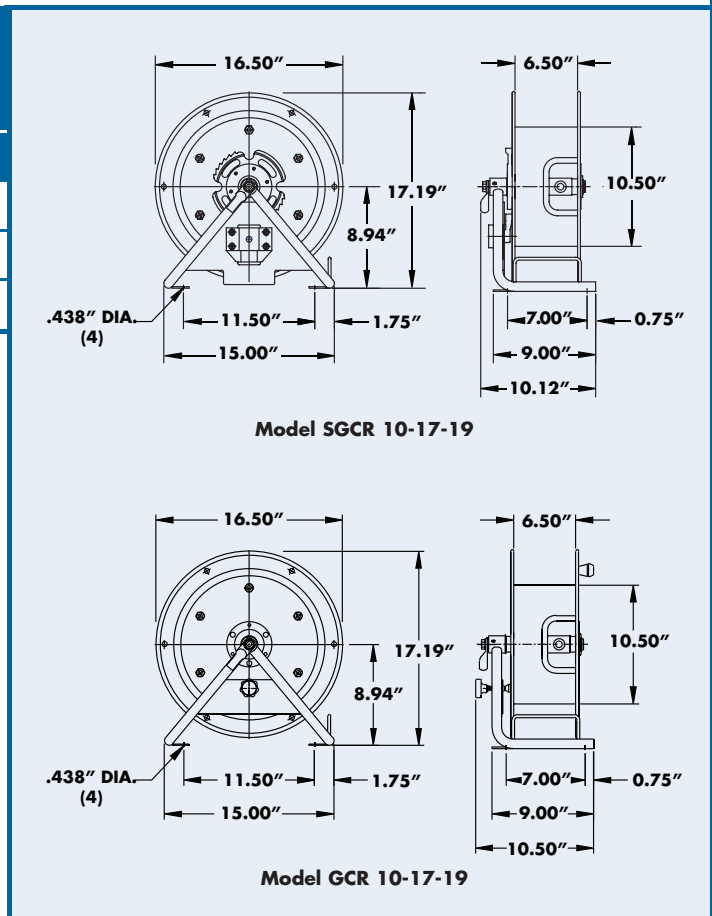
Model Number	Cable Capacity of Reel feet m.			Approx. Wt.* lb. kg	
	Gauge of Conductor			NET (less cable)	SHIP (less cable)
	#2 0.50 O.D. (in) 13 O.D. (mm)	1/0 0.63 O.D. (in) 16 O.D. (mm)	2/0 0.66 O.D. (in) 17 O.D. (mm)		
SGCR 10-17-19	75 23	75 23	65 20	43 20	52 24
GCR 10-17-19	150 46	90 27	90 27	30 14	36 16
GC 10-17-19	150 46	90 27	90 27	28 13	34 15

Notes:

1. Specifications subject to change.
2. When ordering, specify model number, cable gauge, OD, length and coating if required.
3. Specify Finish: if other than standard.
Reels can be shipped as a parcel package (via FedEx or UPS ground).

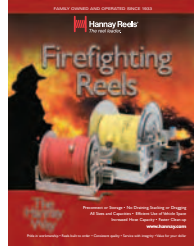
***Note:** If shipping reel with cable, add 16 lbs for packaging, plus weight of cable.

Cable Weights: #2 gauge = .28 lb/ft
1/0 gauge = .43 lb/ft
2/0 gauge = .52 lb/ft

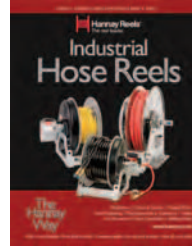




Stainless Steel Reels



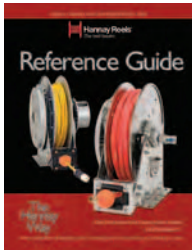
Firefighting Reels



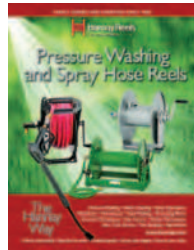
Hose Reels



Welding Reels



Reference Guide



Pressure Wash & Spray Reels



Audio/Video Reels



Ordering & Accessory Guide



Family owned and operated since 1933, Hannay Reels is the world leader in both OEM and aftermarket applications. Hannay offers thousands of standard hose reel and cable reel models, as well as unmatched custom capabilities. We can easily and affordably customize a reel to meet your exact specifications – built to last, delivered fast. Additional catalogs are available through your local Hannay Reels dealer or online at www.hannay.com.



553 State Route 143 • Westerlo, New York 12193
Toll Free Phone: 1-877-GO-REELS • Toll Free Fax: 1-800-REELING

E-mail: reels@hannay.com

Intl. Phone: 1-518-797-3791 • Intl. Fax: 1-518-797-3259

www.hannay.com



MADE IN U.S.A.