

Spring driven

Pressure up to 5000 psi and up to 100 feet of hose

PW7650 OHP



Spring Retractable, Hand Crank, Motor Driven

Air/Water - 1/4", 3/8", 1/2" I.D.

Compact design and quality steel construction are incorporated into Reelcraft's full line of pressure wash reels, rated up to 5000 psi. Series PW, H18006 and 30000 reels are able to carry 50 to 425 feet of tangle-free hose and are complete with a high pressure water swivel for maximum product delivery. The high pressure water swivel is designed to handle a broad range of pressures, temperatures and chemicals; perfect for agricultural/marine, equipment cleaning and pressure washing applications.



CA38106 M

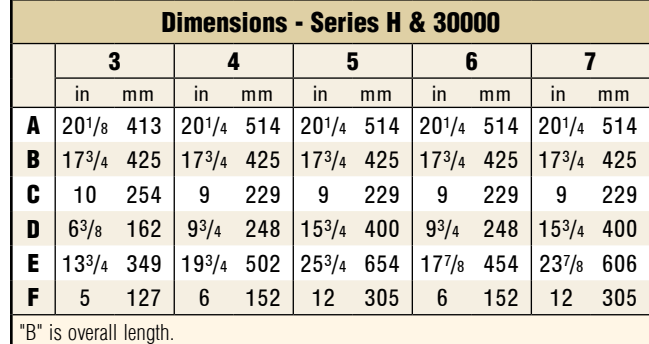
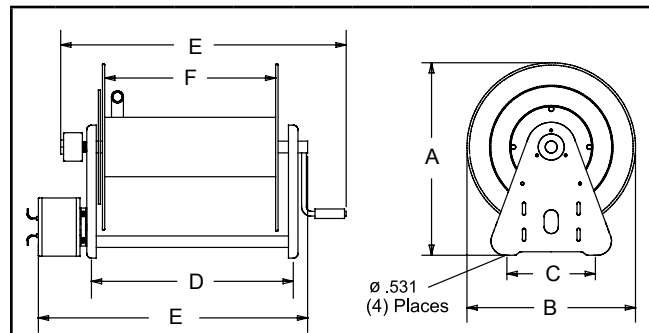
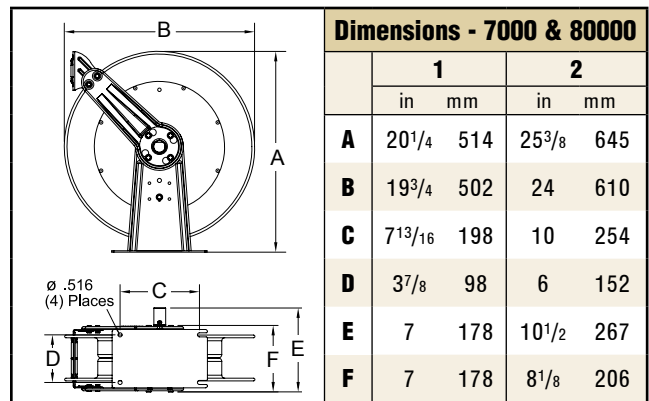
Applications

- Agricultural
- Marine
- Equipment cleaning
- Pressure washing
- Much more

Hand crank

Pressure up to 5000 psi and up to 425 feet of hose

Made in USA 



Hose I.D.	in		mm		in		mm		Shipping Weight	Size Index #
	in	mm	in	mm	in	mm				
Hose I.D.	1/4	6	3/8	10	1/2	13				
Hose O.D.	.530	13	.730	19	.850	22				
Model without hose & bumper	Hose Length						lbs	kg		
	ft	m	ft	m	ft	m				
Spring Driven	Pressure 5000 psi / 345 bar									
PW7600 OHP	---	---	50	15	---	---	43	20	1	
PW7650 OHP*	---	---	50	15	---	---	60	27	1	
PW81000 OHP	---	---	100	30	---	---	86	39	2	
Hand Crank	Pressure 5000 psi / 345 bar									
H18006 M	150	46	100	30	---	---	31	14	3	
CA38106 M	200	61	140	43	100	30	41	19	4	
CA38112 M	425	130	300	91	200	61	46	21	5	
Electric Motor Driven	Pressure 5000 psi / 345 bar									
EA38106 M12D	200	61	140	43	100	30	63	29	6	
EA38112 M12D	425	130	300	91	200	61	71	32	7	

Max temperature 212 °F (100 °C). *Hose included - 4800 psi (331 bar). PSI rating based upon 2.4 to 1 safety factor. Reference page 6 for guide arm positions.

Available Options

Mounting Brackets
See page 47



Inlet Hose Assemblies
See page 49



Replacement Bumpers
See page 49



Call customer service for special hoses

