

Premium Duty Spring Retractable Reels Air/Water/Oil/Grease - 1/4", 3/8", 1/2" I.D.

Series 4000, 5000 and 5005 reels are all-steel construction and compact for a wide range of applications with critical space requirements. A full flow shaft and swivel assures maximum product delivery. Guide arm adjusts to two positions.



4625 OLP

5635 OLP

5650 OLP

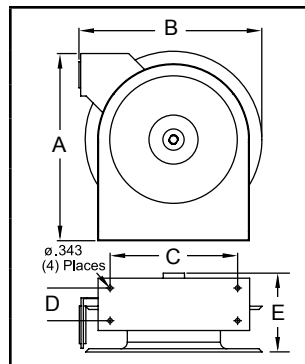
Made in USA



Enclosed Reels
5435 ELP



Side-Mount Reels
4625 OLP



		Dimensions - Size Index							
		1		2		3		4	
		in	mm	in	mm	in	mm	in	mm
A		12 ⁷ / ₈	327	14 ³ / ₈	365	17 ⁵ / ₈	448	17 ⁵ / ₈	448
B		12 ³ / ₈	314	14	356	16 ¹ / ₂	419	16 ¹ / ₂	419
C		8	203	9 ³ / ₄	248	9 ³ / ₄	248	9 ³ / ₄	248
D		2 ¹ / ₂	64	2 ¹ / ₂	64	2 ¹ / ₂	64	2 ¹ / ₂	64
E		5 ⁵ / ₈	143	6 ¹ / ₈	156	5 ⁷ / ₈	149	7 ¹ / ₄	184

Enclosed Models: Series 5000 E reels are the same as 5000 O reels except E Series reels are fully enclosed. To order, change the model number suffix letter O to E, Example: 5430 OHP becomes 5430 EHP. Add 8 lbs. to open reel weight. Enclosed version is only available for Series 5000 reels (size index 2 reels). Refer to reelcraft.com for dimensional information.

NOTE: See operating instructions for optimum mounting configuration.

Quiet latch with Hose	Ratchet latch with Hose	Shipping Weight	Hose I.D.	Hose O.D.	Hose Length	Pressure	(M)NPTF Hose Outlet	(F)NPTF Reel Inlet	Quiet latch without hose & bumper	Shipping Weight	Pressure	Size Index #							
lbs	kg	in	mm	in	mm	ft	m	psi	bar	in	in	lbs	kg	psi	bar				
Low Pressure Air/Water Reels Maximum Temperature 150 °F (65 °C)																			
4420 OLP	-----	18	8	1/4	6	.475	12	20	6	300	21	1/4	3/8	4400 OLP	17	8	500	35	1
4425 OLP	B4425 OLP	19	9	1/4	6	.475	12	25	8	300	21	1/4	3/8	4400 OLP	17	8	500	35	1
4435 OLP	B4435 OLP	19	9	1/4	6	.475	12	35	11	300	21	1/4	3/8	4400 OLP	17	8	500	35	1
5450 OLP	B5450 OLP	26	12	1/4	6	.475	12	50	15	300	21	1/4	3/8	5400 OLP	20	9	500	35	2
4617 OLP	-----	19	9	3/8	10	.600	15	17	5	300	21	1/4	3/8	4600 OLP	17	8	500	35	1
4625 OLP	B4625 OLP	20	9	3/8	10	.600	15	25	8	300	21	1/4	3/8	4600 OLP	17	8	500	35	1
5635 OLP	B5635 OLP	25	11	3/8	10	.600	15	35	11	300	21	1/4	3/8	5600 OLP	21	10	500	35	2
5650 OLP	B5650 OLP	36	16	3/8	10	.600	15	50	15	300	21	1/4	3/8	5605 OLP	31	14	500	35	3
A5825 OLP	B5825 OLP	27	12	1/2	13	.750	19	25	8	300	21	1/2	3/8	A5800 OLP	22	10	500	35	2
A5835 OLP	B5835 OLP	39	18	1/2	13	.750	19	35	11	300	21	1/2	3/8	A5805 OLP	32	15	500	35	3
A5850 OLP	B5850 OLP	41	19	1/2	13	.750	19	50	15	300	21	1/2	3/8	A5806 OLP	35	16	500	35	4
Medium Pressure Oil Reels Maximum Temperature 210 °F (99 °C)																			
5435 OMP	B5435 OMP	31	14	1/4	6	.530	13	35	11	2750	190	1/4	3/8	5400 OMP	23	10	3000	207	2
5630 OMP	B5630 OMP	31	14	3/8	10	.690	18	30	9	2600	179	3/8	3/8	5600 OMP	24	11	3000	207	2
A5825 OMP*	B5825 OMP*	34	15	1/2	13	.820	21	25	8	3250	224	1/2	3/8	A5800 OMP	24	11	3250	207	2
A5835 OMP	B5835 OMP	42	19	1/2	13	.820	21	35	11	3250	224	1/2	3/8	A5805 OMP	32	15	3250	207	3
High Pressure Grease Reels Maximum Temperature 210 °F (99 °C)																			
5430 OHP	-----	30	14	1/4	6	.580	15	30	9	5000	345	1/4	1/4	5400 OHP	23	10	5000	345	2
5435 OHP	B5435 OHP	39	18	1/4	6	.580	15	35	11	5000	345	1/4	1/4	5405 OHP	33	15	5000	345	3
5625 OHP	B5625 OHP	32	15	3/8	10	.730	19	25	8	4800	331	1/4	1/4	5600 OHP	26	12	5000	345	2

*Floor tank mount only - do not mount on ceiling. Low pressure reels furnished standard with PVC hose. Compressed air hoses should not be converted to oxygen service - may cause explosion when O₂ mixes with fuel. Medium pressure reels furnished standard with S.A.E. 100 R1T one wire braid hose. High pressure reels furnished standard with S.A.E. 100 R2T two wire braid hose. Reference page 6 for guide arm positions.

Available Options	Mounting Brackets See page 47	Inlet Hose Assemblies See page 49	Replacement Bumpers See page 49	Replacement Hoses See page 50
--------------------------	---	---	---	---