

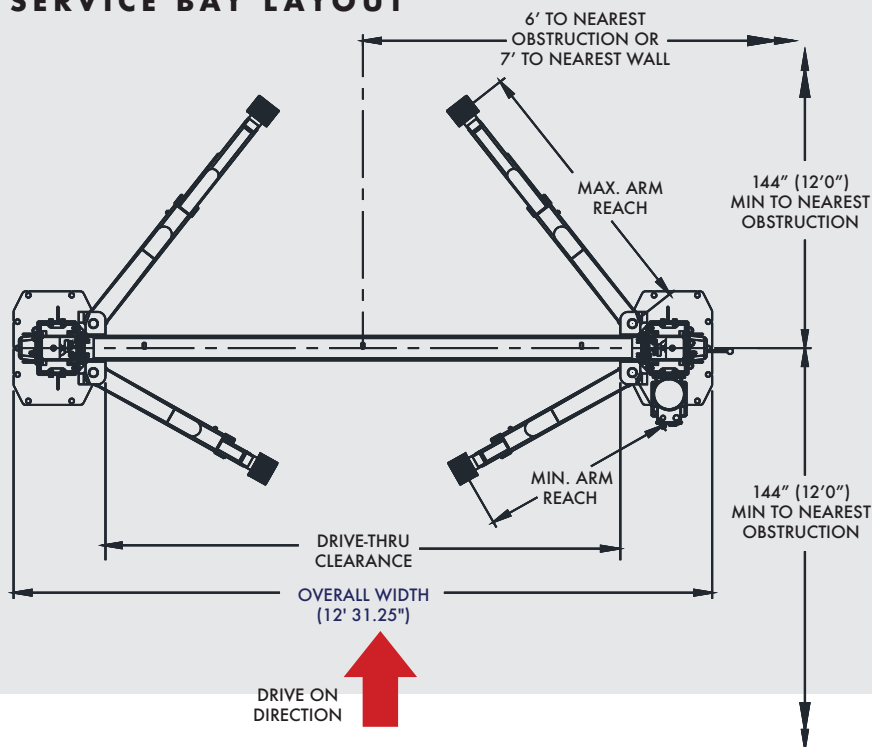


E15

SITE SPECIFICATIONS

- **BAY HEIGHT:** 14'8" minimum
- **BAY WIDTH:** 12'3" recommended
- **BAY DEPTH:** 28' recommended
- **POWER REQ.:** 208-230v Single Phase*, 30-amp breaker
- **MIN. CONCRETE SPEC:** 4" thick, reinforced, free from cracks/seams, rated at 3500+ psi, cured at least 28 days

SERVICE BAY LAYOUT



Model Number	E15
Lifting Capacity	15,000 lbs.
Arms	2-stage front/2-stage rear
Lifting Configuration	Symmetric
Rise Height	77.75"
Overall Height	174"/198"
Overall Width	147.125"
Drive-Thru Clearance	109.375"
Floor to Overhead Switch	166"/190"
Minimum Arm Reach	36.5"
Maximum Arm Reach	55"
Screw Pad Height	5.25"-6.75"
Inside Columns	122.25"
Ceiling Height Required	175"/199"
Motor / Voltage	2HP, 208v - 230v
Speed of Rise	75 s
ALI/ETL Certified	√
Colors Available	

*3-phase upgrade is available for purchase
 **2' height extension included

www.challengerlifts.com
 1-800-648-5438