

# Self Priming Centrifugal Pump



Models 13C3-E1.5 3P, 13C3-E2 3P,  
13C3-E3 3P and 13C3-E5 3P

Size 3" x 3"



## PUMP SPECIFICATIONS

**Size:** 3" X 3" (76 mm X 76 mm) NPT Female.

**Casing:** Gray Iron 30.

Maximum Operating Pressure 32 psi (221 kPa).\*

**Semi-Open Type, Two Vane Impeller:** Ductile Iron 60-40-18.

Handles 2 1/2" (63,5 mm) Diameter Spherical Solids.

**Impeller Shaft:** Stainless Steel 416 (Provided with Motor).

**Shaft Sleeve:** Alloy Steel 4150.

**Flap Valve:** Neoprene w/Steel Reinforcing.

**Intermediate:** Gray Iron 30.

**Replaceable Wear Plate:** Carbon Steel ASTM A36.

**Removable Cover Plate:** Gray Iron 30; 15 lbs. (7 kg).

**Flange:** Gray Iron 30.

**Gaskets:** Rubber, Compressed Synthetic Fibers w/Buna-N Binder, and Vegetable Fiber.

**Hardware:** Standard Plated Steel.

**Optional Equipment:** Consult Factory.

## MOTOR SPECIFICATIONS

**Type:** Open Drip Proof, Squirrel Cage, Induction Start, Induction Run, with Conduit Box.

**Frame Size:** (1.5 and 2 H.P.) 182TCZ.  
(3 and 5 H.P.) 184TCZ.

**Phase/Hz/Voltage:** 3/60/208-230-460V.

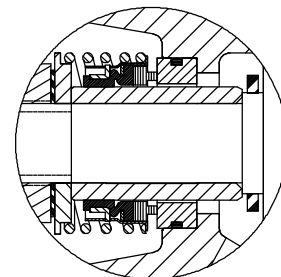
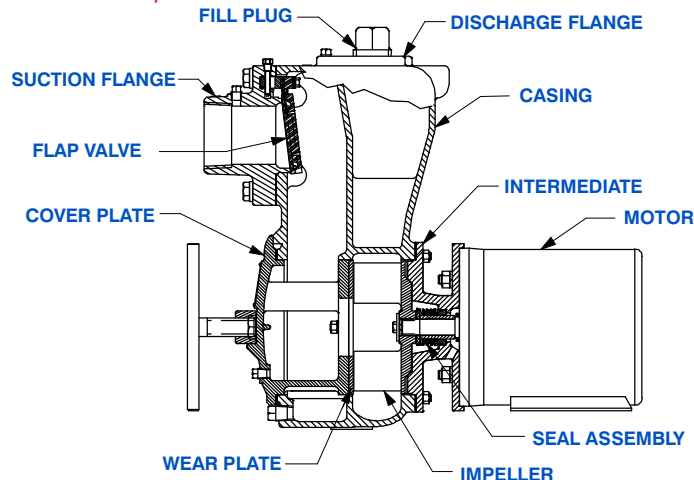
**1.5 H.P.:** 1200 RPM, 5.6/5.8/2.9 Approx. Full Load Amps.

**2 H.P.:** 1200 RPM, 7.2/7.4/3.7 Approx. Full Load Amps.

**3 H.P.:** 1800 RPM, 9.6/10/5 Approx. Full Load Amps.

**5 H.P.:** 1800 RPM, 14.4/14.2/7.1 Approx. Full Load Amps.

\*Consult Factory for Applications Exceeding Maximum Pressure and/or Temperature Indicated.



## SEAL DETAIL

Type 2, Mechanical, Self-Lubricated. Carbon Rotating Face. Ni-Resist Stationary Seat. Fluorocarbon Elastomers (DuPont Viton® or Equivalent). Stainless Steel 18-8 Cage and Spring. Maximum Temperature of Liquid Pumped, 160°F (71°C).\*



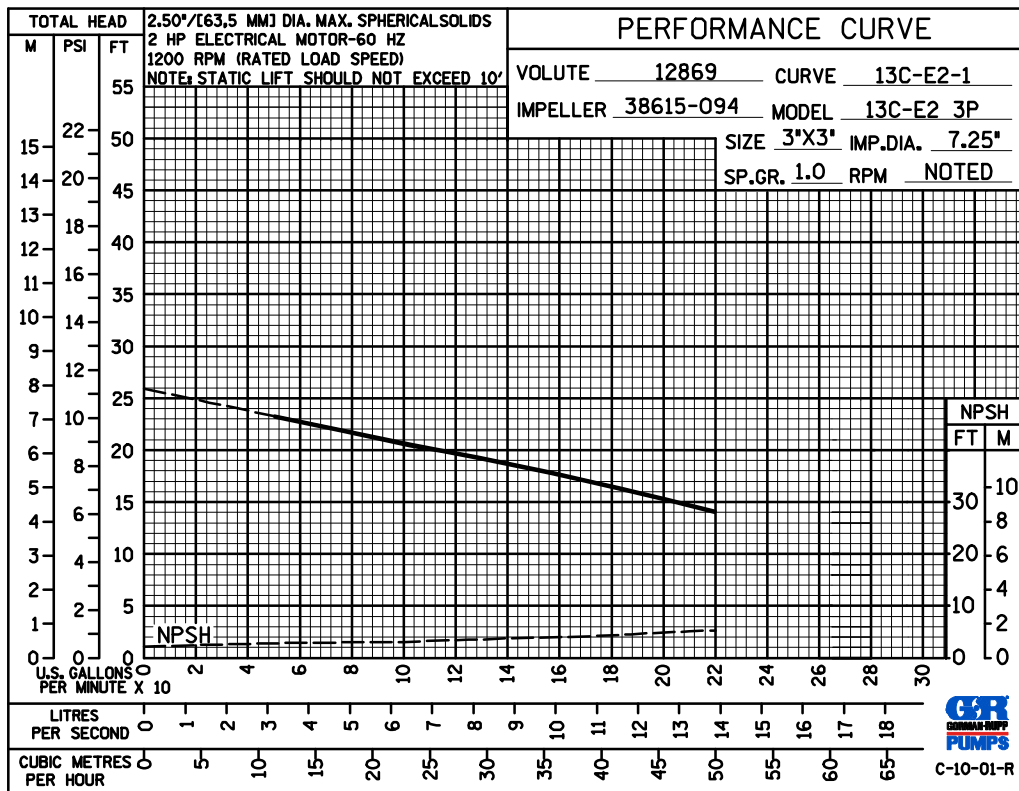
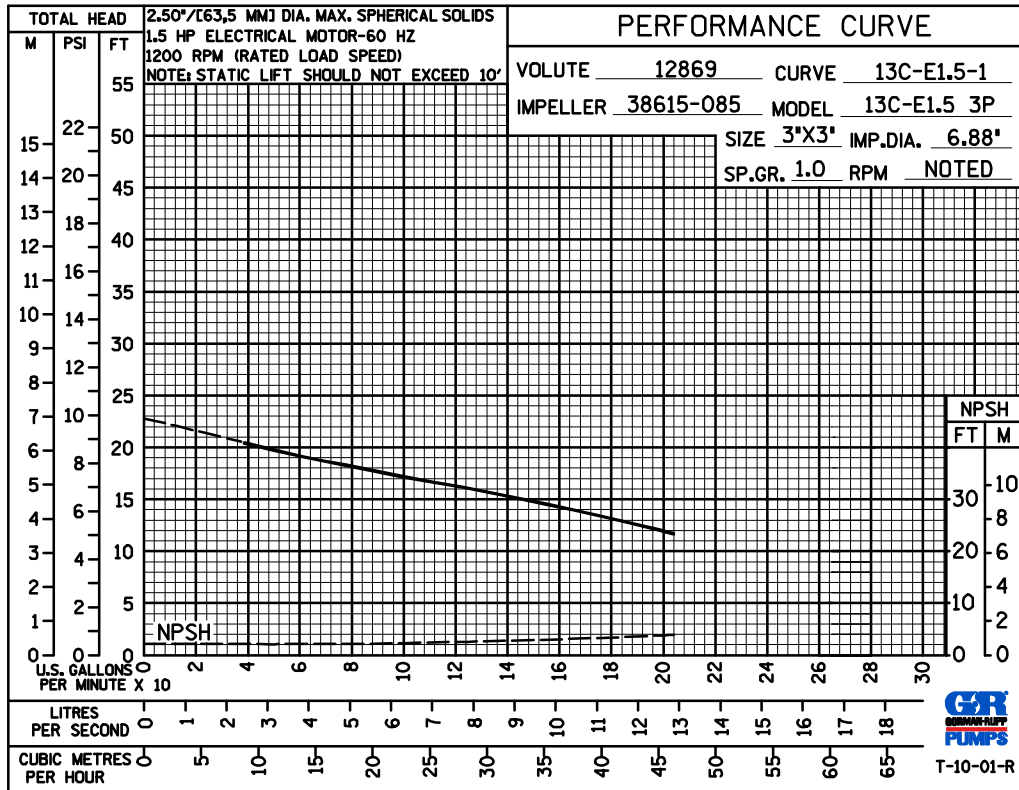
GORMAN-RUPP PUMPS

www.grpumps.com

Specifications Subject to Change Without Notice

Printed in U.S.A.



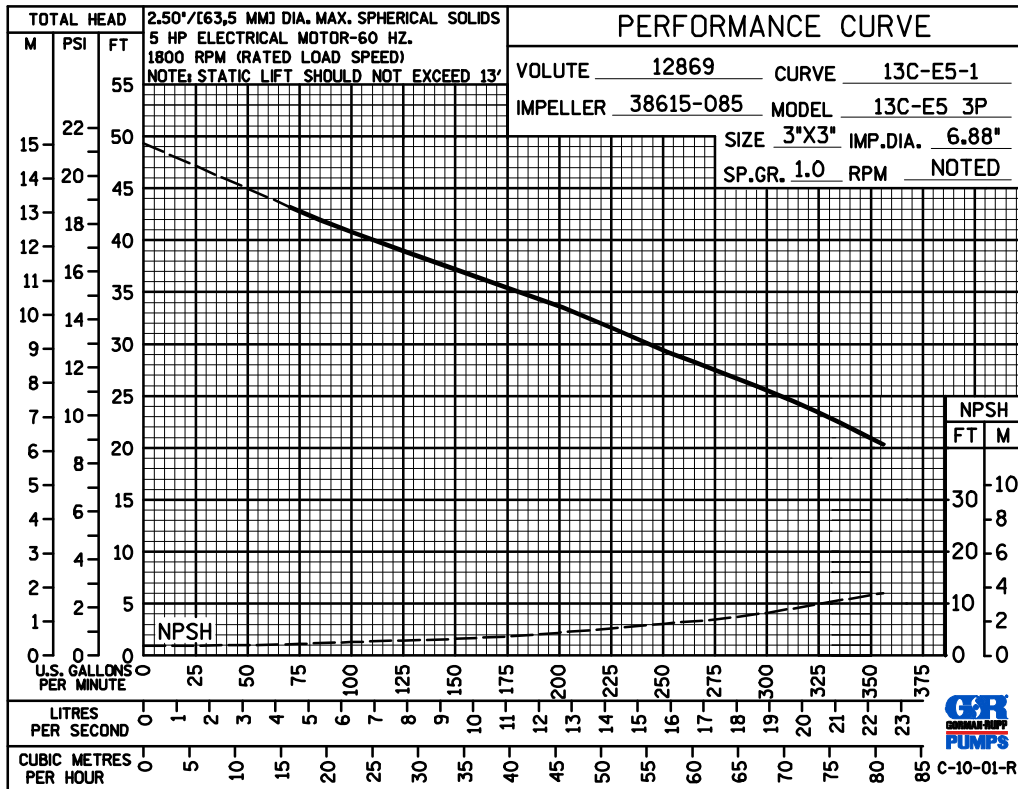
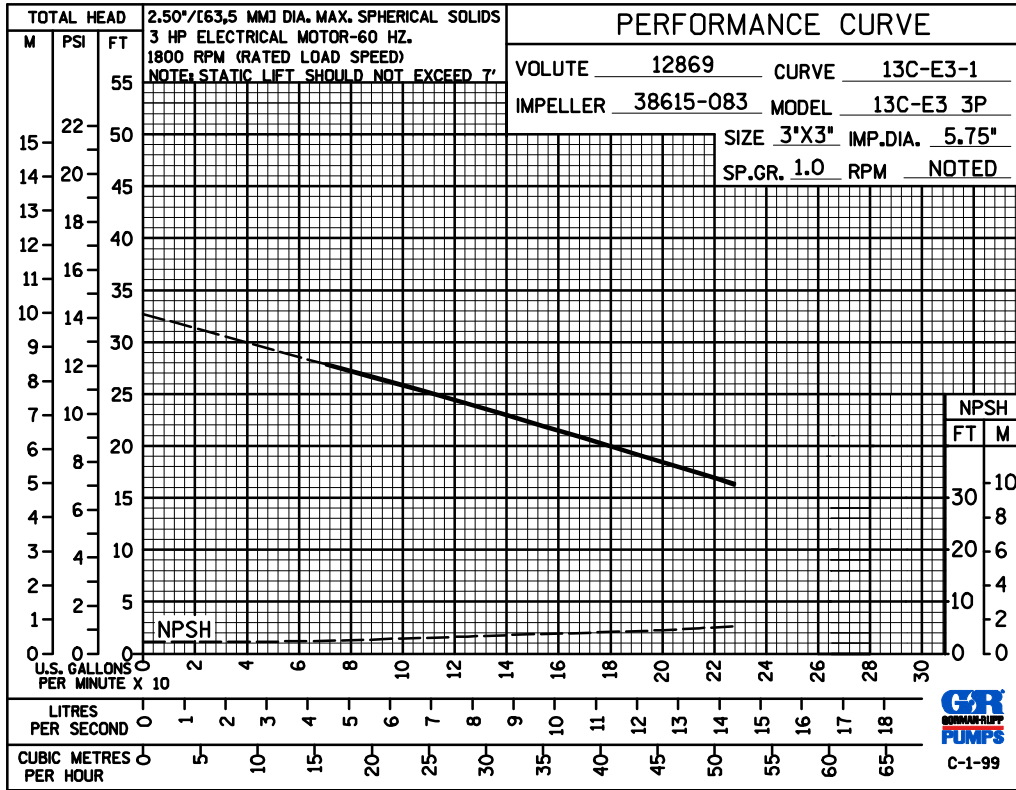


GORMAN-RUPP PUMPS

www.grpumps.com

Specifications Subject to Change Without Notice

Printed in U.S.A.



GORMAN-RUPP PUMPS

www.grpumps.com

Specifications Subject to Change Without Notice

Printed in U.S.A.