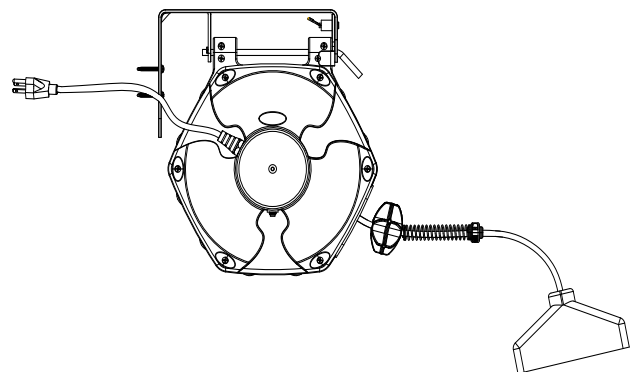
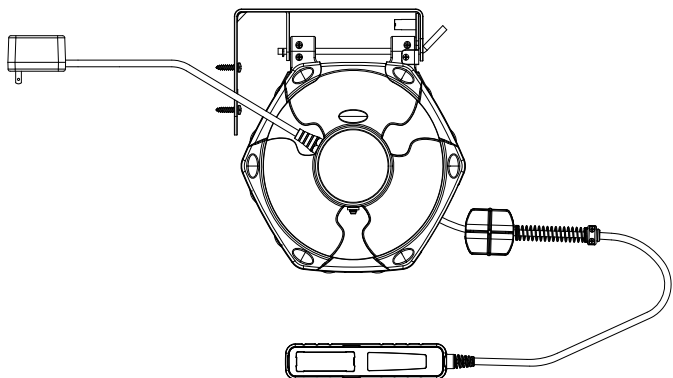


Light and power cord reels*

Models 91023 and 91029



Date of issue	January 2018
Form number	404226
Version	2

* Indicates change.

Contents

Safety	2
Explanation of signal words for safety	2
Table or bench mount installation	3
Wall mount installation	3
Ceiling mount installation	3
Operating instructions	4
Electrical rating	5
Maintenance	6
Service parts	6
Warranty	8

Safety

Read and carefully observe these operating instructions before unpacking and operating equipment. Equipment must be operated, maintained and repaired exclusively by persons familiar with operating instructions. Local safety regulations regarding installation, operation and maintenance must be followed.

Operate equipment only after safety instructions and this service manual are fully understood.

Explanation of signal words for safety

NOTE

Emphasizes useful hints and recommendations as well as information for efficient and trouble-free operation.

⚠ CAUTION

Indicates a dangerous situation that can lead to light personal injury or property damage if precautionary measures are ignored.

⚠ WARNING

Indicates a dangerous situation that could lead to death or serious injury if precautionary measures are ignored.

⚠ DANGER

Indicates a dangerous situation that will lead to death or serious injury if precautionary measures are ignored.

Table or bench mount installation

- 1 Select a dry location within 2 ft (609,8 mm) of 120 V AC electrical outlet.
- 2 Mount bracket (→ Fig. 1) directly onto table or bench.
- 3 Line up mounting bracket with holes on reel light unit and insert 8 in (203 mm) pin (→ Fig. 2).
- 4 Secure 8 in (203 mm) pin with cotter pin (→ Fig. 2).
- 5 Adjust ball stop (→ Fig. 3) so light head hangs at desired length.
- 6 Plug power cord into standard 120 V AC electrical outlet.

Wall mount installation

- 1 Select dry location within 2 ft (609,8 mm) of 120 V AC electrical outlet.
- 2 Mount bracket to nearest available wood stud or sturdy wall material using appropriate screw fasteners (→ Fig. 1), leaving at least 24 in (609,8 mm) between reel and edge of any wall or door frame.

NOTE

Do not mount reel to any wall material (including drywall and paneling) that cannot support significant torsion or drag.

- 3 Line up mounting bracket with holes on reel light unit and insert 8 in (203 mm) pin (→ Fig. 2).
- 4 Secure 8 in (203 mm) pin with cotter pin (→ Fig. 2).
- 5 Adjust ball stop (→ Fig. 3) so light head hangs at desired length.
- 6 Plug power cord into standard 120 V AC electrical outlet.

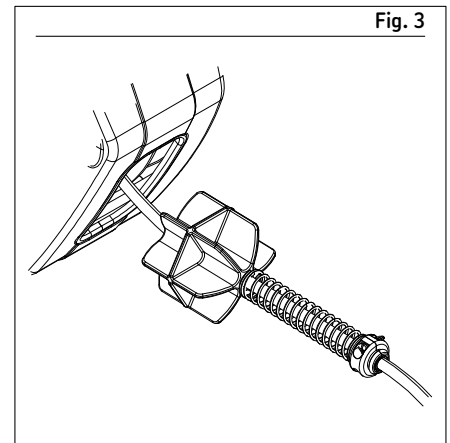
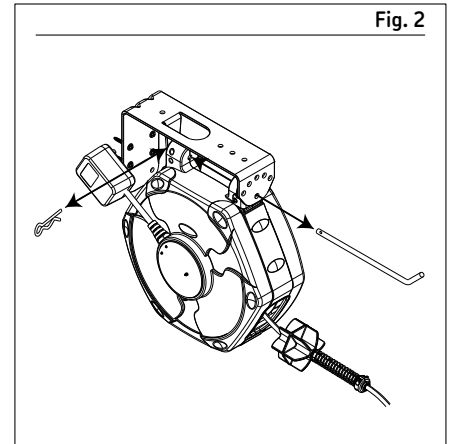
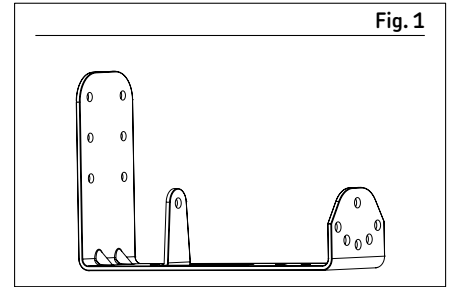
Ceiling mount installation

- 1 Select dry location within 2 ft (609,8 mm) of 120 V AC electrical outlet.

NOTE

Do not mount reel to drywall or any unsupported ceiling material that cannot support significant torsion or drag.

- 2 Mount bracket directly into closest ceiling joist or beam reinforced ceiling beam (→ Fig. 1).
- 3 Insert reel into bracket. Use care to line up the mounting holes (→ Fig. 2).
- 4 Secure 8 in (203 mm) pin with cotter pin (→ Fig. 2).
- 5 Adjust ball stop (→ Fig. 3) so light head hangs at desired length.
- 6 Plug power cord into standard 120 V AC electrical outlet.



Operating instructions

- 1 Fully extend and lock cord in place
- 2 before using.
- 3 To lock, pull cord to desired length.
Slowly let cord retract back into reel until click is heard.
- 4 To retract cord, pull cord out until reel begins resisting. Guide cord into reel while it is retracting. Hold onto cord until it retracts completely into reel.

⚠ CAUTION

Do not release cord while it is retracting back into reel.
Failure to do so may result in personal injury and/or damage to the reel.

- 5 To lock multi-angle bracket into place, pull looped spring loaded pin out, set reel to desired angle and release looped spring pin.

⚠ CAUTION

- Do not overload circuit. Check amperage rating before connecting anything to outlet(s) on product to be sure that circuit will not be overloaded. Amperage rating of reel can be found on label of reel. If circuit breaker trips, unplug all devices and reset circuit breaker. Double check amperage rating of device before plugging it back in.
- Do not service reel light while it is plugged in. This could cause electrical shock.
- Opening reel may cause injury, as reel houses clock spring under high pressure.

⚠ WARNING

To avoid serious injury or death from electrical shock or fire:

- Do not handle unit or plug it in with hands that are wet or damp, while standing on a wet or damp surface, or in water.
- This fixture must always be used in accordance with all electrical and safety codes and ordinances, including National Electric Code (NEC) and Occupational Safety and Health Act (OSHA) codes on general industry standards and interpretations.
- Always ensure that the power source conforms to the requirements listed on the unit.
- Always disconnect unit from its power source before servicing or disassembling.
- This unit is only for use with 110 to 125 V AC-rated products, and is equipped with an approved 3-conductor cord with a 3-prong grounded plug.
- To reduce the risk of electrical shock, unit should only be plugged into a properly grounded 3-prong outlet.
- Unit is not waterproof and is not intended for use in showers, saunas, or potentially wet locations. Keep unit away from sinks, tubs, showers, etc. Do not attempt to retrieve unit if it falls into water if it is still plugged into a power source. Fatal electrocution could result.
- Do not remove the 3rd prong or modify the plug in any way. Improper connection of the grounding conductor can result in electrical shock.
- Do not plug the unit into a non-grounded outlet or extension cord.
If an extension cord is used, ensure the cord is in good electrical condition and is a minimum of 16 gauge, 3 conductor.
- This fixture is intended for use as a general indoor power source. Do not use in potentially dangerous locations, such as flammable or explosive surroundings.

⚠ WARNING

Failure to comply with instructions and safety information could result in electrical shock, fire hazard or malfunction of unit.

Electrical rating

⚠ WARNING

Do not overload. Check amperages of tools or appliances to be used before proceeding with use of fixture. Listed below is the maximum amperage rating for unit.

Failure to comply may result in death or serious injury.

Electrical rating

Part no.	Length	Cable type/gauge	Maximum rating	Lux	Lumen
91023	50 ft (15,244 m)	SJTOW 18/2	125 V AC	>200	>600
91029	50 ft (15,244 m)	SJTOW 14/3	125 V AC/12 A		

This product is protected by a circuit breaker: that will cut off current if overloaded. In the event of an overload, disconnect unit from source of overload, wait for two minutes, and press the circuit breaker reset button located on the side of the unit. If circuit breaker continues to trip, unplug unit and discontinue use.

⚠ CAUTION

Do not allow cord to fly unrestricted back into reel.

Failure to comply may result in light personal injury or damage to equipment.

Maintenance

To keep light reel operating smoothly:

- 1 Remove dirt and grime from reel case using soft, damp cloth. Mild soap may be used if needed. Do not get electrical plug wet, and never immerse any part of unit in solution to clean. Do not use any types of solvents to clean unit.
- 2 To ensure smooth retraction, keep cord clean by pulling cord to full length and allow it to slowly retract through dampened rag. Then pull cord out again to full length again and allow to retract through clean rag sprinkled with talcum powder.

Service parts

Part number	Description
410015	Replacement COB light for 91023

This page left intentionally blank.

Warranty

The instructions do not contain any information on the warranty. This can be found in the General Conditions of Sales, available at: www.lincolnindustrial.com/technicalservice or www.skf.com/lubrication.

skf.com | lincolnindustrial.com

® SKF and Lincoln are registered trademarks of the SKF Group.

© SKF Group 2018
The contents of this publication are the copyright of the publisher and may not be reproduced (even extracts) unless prior written permission is granted. Every care has been taken to ensure the accuracy of the information contained in this publication but no liability can be accepted for any loss or damage whether direct, indirect or consequential arising out of the use of the information contained herein.
January 2018 · Form 404226 Version 2