

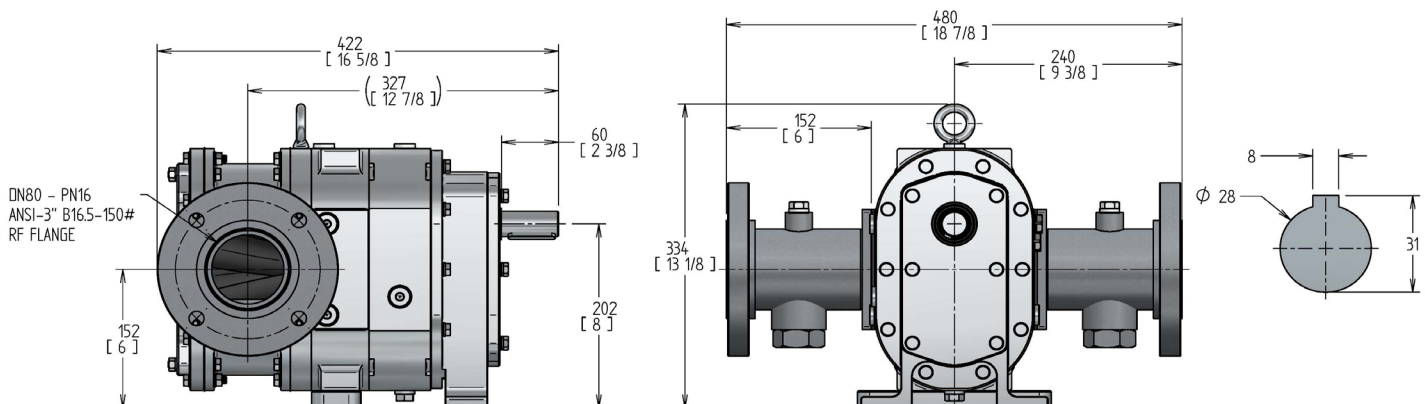
## Positive Displacement Rotary Lobe Pumps

SPECIFICATIONS	US	Metric
Rated Capacity:	0-144 gpm	0-32 m <sup>3</sup> /hr
Displacement (per 100 revolutions):	16 gal (US)	60 L
Maximum Continuous Pressure:	100 psi	6.9 bar
Starting Torque:	720 in lbf	127 N m
Rated Speed:	0-900 RPM	0-900 RPM
Shaft Diameter:	1.1"	28 mm
Flange Connection Class:	ANSI 16.5-150#	DN - PN 16
Flange Connection Size:	ANSI 3"	DN 80
Weight:	175 lbs	80 kg
Solids Handling:		
Spherical Compressible	0.75"	19 mm
Spherical Hard*	1/8"	3 mm

\* Larger hard solids will pass through but may cause damage.

MODEL >	SS16c	CS16c
Service	Sludge, Mud and Slurries*	Chemical/Corrosive
<b>WETTED PARTS</b>		
<b>Rotary Lobes</b>		
Elastomer	NBR Opt. HNBR, FKM, EPDM or Eng. Rec.	FKM or HNBR Opt. NBR, EPDM or Eng. Rec.
Lobe Profile	Helix	Helix
Number of lobe wings	6	6
Core	Carbon Steel	Carbon Steel
<b>Sealing Elastomers</b>		
O-rings	FKM	FKM or Engineer Recommendation
Lip seals	FKM or Engineer Recommendation	FKM or Engineer Recommendation
<b>Mechanical Seals</b>		
Mechanical Seal	Duronit	Silicon Carbide
Seal Holders	Opt. Tungsten Carbide, Silicon Carbide or Engineer Rec. Carbon Steel with Corrosion resistant coating	Opt. Tungsten Carbide or Engineer Rec. Stainless Steel Type 316
<b>Wear Plates</b>		
	AR500 Steel (Brinell 500)	Duplex Stainless Steel
<b>Housing Segments</b>		
	Carbon Steel	Duplex Stainless Steel
<b>Flange Ring</b>		
	ASTM A36 Carbon Steel	Stainless Steel Type 316L
<b>Bolts</b>		
	Carbon Steel ISO 898-I	Stainless Steel A2-A4
<b>Pressure Disc</b>		
	Stainless Steel Type 316L	Stainless Steel Type 316L
<b>LIMITED EXPOSURE PARTS</b>		
<b>Quench Adaptor/Barrier Plate</b>		
	Carbon Steel	Carbon Steel
<b>Pump Cover</b>		
	Carbon Steel Opt. Engineering Recommendation	Carbon Steel Opt. 316 Stainless Steel
<b>NON-WETTED PARTS</b>		
<b>Quench /Seal Cooling Chamber</b>		
	Carbon Steel	Carbon Steel
<b>Gears</b>		
	GMA Class 9 AISI 1045 steel	GMA Class 9 AISI 1045 steel
<b>Gear Housing</b>		
	Carbon Steel or ASTM A48 Grey Iron rust primed	Carbon Steel or ASTM A48 Grey Iron
<b>Shaft</b>		
	AISI 4140 Alloy Steel	AISI 4140 Alloy Steel
<b>PAINTING REQUIREMENTS</b>		
<b>Standard Painting</b>		
	SSPC/SP6 Sandblast Paint LobePro Blue	SSPC/SP6 Sandblast Paint LobePro Silver

**NOTE:** Listed above are standard pump assemblies; lobe styles and materials subject to recommendation by LobePro Engineering. A wide range of optional materials are available for each model. Consult LobePro for further information. \*Consult Factory for application temperature above 80°C (175°F). One piece pump casing design available in Sp line.



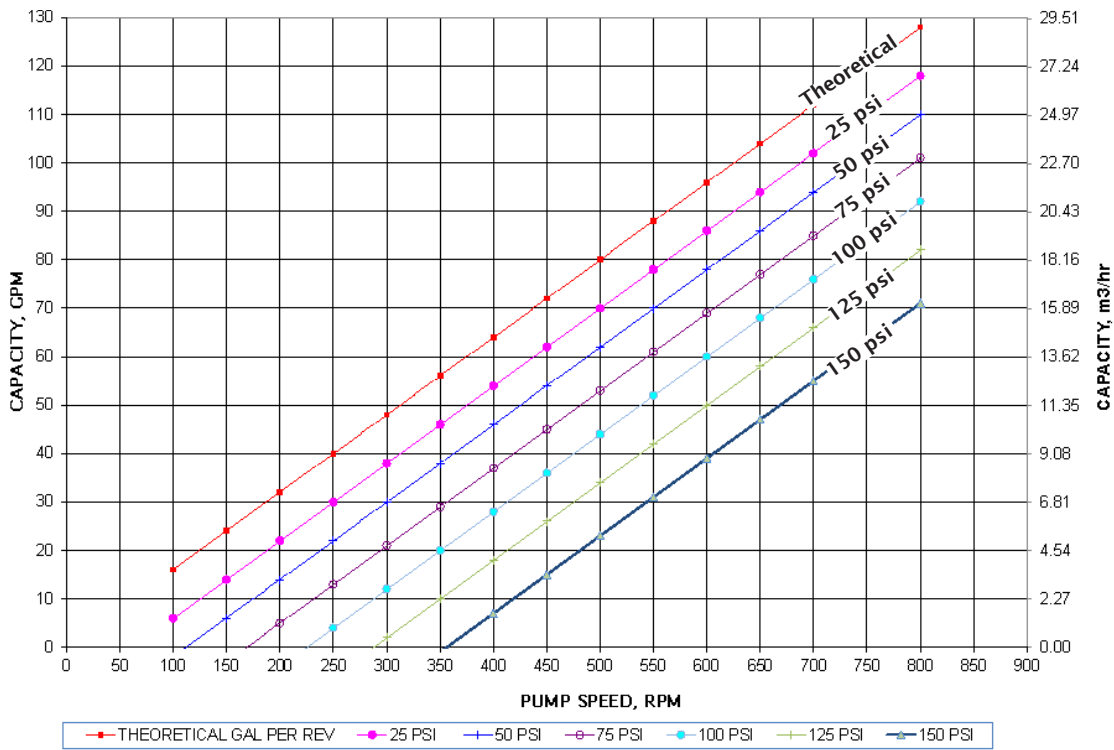
**Section 40-07-2**

16 April 2018

**S16 CURVES**

**Performance Curve - NBR Lobes\***

Based on 70°F (21°C) fresh water (1 cp) at Sea Level.  
Output will increase as viscosity of the fluid increases from 1.



\*Note: Output from lobes coated with elastomers other than NBR maybe lower. Contact Engineering for further information.

**Horsepower Requirements**

