



# Mirada Post Top (MPH)

## Outdoor LED Post Top

**IP66**

### OVERVIEW

Lumen Output Range	35,000 - 78,000
Wattage Range	294 - 653
Efficacy Range (LPW)	96 - 135
CCT (K)	3000, 4000, 5000
Controls	Standalone, Wireless
Weight lbs (kg) - ALI4	60 (27)

### QUICK LINKS

[Ordering Guide](#)[Performance](#)[Photometrics](#)[Dimensions](#)

## FEATURES & SPECIFICATIONS

### Construction

- Rugged die-cast aluminum optical housing, cage, and fitter. Fitter contains factory pre-wired drivers and optional controls.
- Complete die-cast aluminum construction for maximum quality and surface finish.
- 1-PC die-cast aluminum cage with wire passages allows for IP66 full luminaire rating to protect integral components from harsh environments.
- Fixtures are finished with LSI's DuraGrip® polyester powder coat finishing process. The DuraGrip finish withstands extreme weather changes without cracking or peeling. Other standard LSI finishes available. Consult factory.
- Shipping weight: 60 lbs in carton.

### Optical System

- State-of-the-Art one piece silicone optic sheet delivers industry leading optical control with an integrated gasket.
- Proprietary silicone refractor optics provide exceptional coverage and uniformity in IES Types 2, 3, 5W, FT, FTA and AM.
- Silicone optical material does not yellow or crack with age and provides a typical light transmittance of 93%.
- Available in 5000K, 4000K, and 3000K color temperatures per ANSI C78.377.
- Minimum CRI of 70
- Integral louver (IL) and house-side shield (IH) options available for improved back-light control without sacrificing street side performance. See page 7 for more details.

- Minimal upright with less than 5% of the total lumen output going above 90°.

### Electrical

- High-performance programmable driver features over-voltage, undervoltage, short-circuit and over temperature protection. Custom lumen and wattage packages available.
- 0-10V dimming (10% - 100%) standard.
- Standard Universal Voltage (120-277 Vac) Input 50/60 Hz or optional High Voltage (347-480 Vac).
- L92 Calculated Life: >100K Hours (See Lumen Maintenance on Page 3)
- Total harmonic distortion: <20%
- Operating temperature: -40°C to +50°C (-40°F to +122°F). 72L and 78L packages are limited to 40°C.
- Power factor: >.90
- Input power stays constant over life.
- Field replaceable surge protection device meets a minimum Category C Low operation (per ANSI/IEEE C62.41.2).
- High-efficacy LEDs mounted to metal-core circuit board to maximize heat dissipation
- Components are fully encased in potting material for moisture resistance. Driver complies with FCC standards.
- Internal power supplies and controls can be serviced via (2) integral fitter removable power trays.

### Installation

- Designed to mount to 2-3/8"-3" OD x 3" to 4-1/2" tall tenon.
- Secures to tenon with 8 stainless steel set screws.
- 6' wire leads with strain relief zip-ties are provided in fitter for ease of wiring.

### Warranty

- LSI luminaires carry a 5-year limited warranty. Refer to website for details.

### Listings

- Listed to UL 1598 and UL 8750.
- Title 24 Compliant; see local ordinance for qualification information.
- Suitable for wet Locations
- IP66 rated Luminaire per IEC 60598.
- 3G rated for ANSI C136.31 high vibration applications.
- DesignLights Consortium® (DLC) qualified product. Not all versions of this product may be DLC qualified. Please check the DLC Qualified Products List at [www.designlights.org/QPL](http://www.designlights.org/QPL) to confirm which versions are qualified.





# Mirada Post Top (MPH)

[Back to Quick Links](#)

## ORDERING GUIDE

TYPICAL ORDER EXAMPLE: **MPH LED 45L SIL FTA UNV DIM 40 70CRI ALSC BLK IH**

Luminaire Prefix	Light Source	Lumen Package	Light Output	Distribution	Voltage	Driver
MPH - Mirada Post Top High Lumen	LED	35L - 35,000 lm 45L - 45,000 lm 55L - 55,000 lm 65L - 65,000 lm 72L - 72,000 lm 78L - 78,000 lm Custom Lumen Packages <sup>8</sup>	SIL - Silicone	2 - Type 2 3 - Type 3 5W - Type 5 Wide FTA - Forward Throw FT - Forward Throw AM - Automotive Merchandise	UNV - Universal Voltage (120-277V) HV - High Voltage (347-480V)	DIM - 0-10V Dimming (0-10%)
Color Temp	Color Rendering	Controls (Choose One)		Finish	Options	
50 - 5,000 CCT 40 - 4,000 CCT 30 - 3,000 CCT	70CRI - 70 CRI	<b>(Blank) - None</b>  <b>Wireless Controls System</b> ALSC - AirLink Synapse Control System ALSCH - AirLink Synapse Control System Host/Satellite  <b>Stand-Alone Controls</b> EXT - 0-10v Dimming (from external signal) CR7P - 7 Pin Control Receptacle ANSI C136.41 <sup>1</sup>		BRZ - Bronze BLK - Black GPT - Graphite MSV - Metallic Silver WHT - White PLP - Platinum Plus SVG - Satin Verde Green	<b>(Blank) - None</b>  IH - Integral Houseside Shield <sup>2</sup> IL - Integral Louver (Sharp Spill Light Cutoff) <sup>2</sup>	

### Accessory Ordering Information<sup>3</sup>

CONTROLS ACCESSORIES	
Description	Order Number
PC120 Photocell for use with CR7P option (120V) <sup>4</sup>	122514
PC208-277 Photocell for use with CR7P option (208V, 240V, 277V) <sup>4</sup>	122515
Twist Lock Photocell (347V) for use with CR7P <sup>4</sup>	122516
Twist Lock Photocell (480V) for use with CR7P <sup>4</sup>	1225180
PMOS24 -24V Pole-Mount Occupancy Sensor <sup>5,6</sup>	663284CLR
AirLink 5 Pin Twist Lock Controller <sup>4</sup>	61409
AirLink 7 Pin Twist Lock Controller <sup>4</sup>	661410
Shorting Cap for use with CR7P <sup>4</sup>	149328

MOUNTING ACCESSORIES	
Description	Order Number
WM Wall Mount Bracket <sup>5</sup>	693664CLR
BK MPT BO Mount <sup>5</sup>	693665CLR
Internal Tenon Adapter For 4" Square Pole <sup>5</sup>	694638CLR
Internal Tenon Adapter 5" Square Pole <sup>5</sup>	694641CLR
Internal Tenon Adapter 6" Square Pole <sup>5</sup>	694642CLR
External Tenon Adapter 3" Round Pole <sup>5</sup>	694643CLR
External Tenon Adapter 3-1/2" RoundTapered Pole <sup>5</sup>	694644CLR
External Tenon Adapter 4" RoundTapered Pole <sup>5</sup>	694645CLR

FUSING ACCESSORIES <sup>7</sup>	
Description	Order Number
Single Fusing (120V)	FK120
Single Fusing (277V)	FK277
Double Fusing (208V,240V)	DFK240
Double Fusing (347V)	DFK347
Double Fusing (480V)	DFK480
SHIELDING ACCESSORIES <sup>2</sup>	
IH - Integral House Side Shield	743417
IL - Integral Louver (Sharp Spill Light Cutoff)	743423

#### FOOTNOTES:

- Control device or shorting cap must be ordered separately. See Accessory Ordering Information.
- Not available with 5W distribution
- Accessories are shipped separately and field installed.
- Factory installed CR7P option required. See Options.
- "CLR" denotes finish. See Finish options.
- Only available with ALSC/ALSCH control options.
- Fusing must be located in hand hole of pole.
- Custom lumen and wattage packages available consult factory. Values are within industry standard tolerances but not DLC listed.





# Mirada Post Top (MPH)

## PERFORMANCE

[Back to Quick Links](#)

Delivered Lumens*												
Lumen Package	Distribution	CRI	3000K CCT			4000K CCT			5000K CCT			Wattage
			Delivered Lumens	Efficacy	BUG Rating	Delivered Lumens	Efficacy	BUG Rating	Delivered Lumens	Efficacy	BUG Rating	
35L	2	70	36293	123	B4-U5-G4	38755	132	B4-U5-G4	38932	132	B5-U5-G4	294
	3		36981	126	B4-U4-G4	39489	134	B4-U5-G5	39669	135	B4-U5-G5	
	5W		35458	121	B5-U4-G4	37863	129	B5-U4-G4	38036	129	B5-U5-G4	
	FT		36950	126	B4-U5-G5	39456	134	B4-U5-G5	39636	135	B4-U5-G5	
	FTA		36680	125	B4-U5-G4	39168	133	B4-U5-G4	39347	134	B4-U5-G4	
	AM		34157	116	B4-U5-G4	36493	124	B4-U5-G4	36858	125	B4-U5-G4	
45L	2	70	46843	115	B5-U5-G4	50020	123	B5-U5-G4	50249	124	B5-U5-G4	406
	3		47730	118	B4-U5-G5	50968	126	B4-U5-G5	51201	126	B4-U5-G5	
	5W		45765	113	B5-U5-G4	48869	120	B5-U5-G4	49092	121	B5-U5-G4	
	FT		47690	118	B4-U5-G5	50925	126	B4-U5-G5	51158	126	B4-U5-G5	
	FTA		47342	117	B4-U5-G4	50553	125	B4-U5-G4	50784	125	B4-U5-G4	
	AM		44094	109	B4-U5-G4	47109	116	B4-U5-G4	47580	117	B4-U5-G4	
55L	2	70	54517	112	B5-U5-G4	58215	119	B5-U5-G4	58481	120	B5-U5-G4	488
	3		55550	114	B4-U5-G5	59317	122	B4-U5-G5	59588	122	B4-U5-G5	
	5W		53262	109	B5-U5-G5	56875	116	B5-U5-G5	57135	117	B5-U5-G5	
	FT		55503	114	B4-U5-G5	59268	121	B5-U5-G5	59539	122	B5-U5-G5	
	FTA		55098	113	B5-U5-G4	58835	121	B5-U5-G4	59104	121	B5-U5-G4	
	AM		51547	106	B5-U5-G4	55071	113	B5-U5-G4	55622	114	B5-U5-G4	
65L	2	70	62161	106	B5-U5-G5	66377	113	B5-U5-G5	66680	113	B5-U5-G5	589
	3		63338	108	B4-U5-G5	67634	115	B5-U5-G5	67943	115	B5-U5-G5	
	5W		60730	103	B5-U5-G5	64849	110	B5-U5-G5	65146	111	B5-U5-G5	
	FT		63285	108	B5-U5-G5	67577	115	B5-U5-G5	67886	115	B5-U5-G5	
	FTA		62823	107	B5-U5-G5	67084	114	B5-U5-G5	67391	115	B5-U5-G5	
	AM		58999	100	B5-U5-G5	63033	107	B5-U5-G5	63664	108	B5-U5-G5	
72L/78L	2	70	65541	101	B5-U5-G5	69987	108	B5-U5-G5	70307	108	B5-U5-G5	649
	3		66783	103	B5-U5-G5	71312	110	B5-U5-G5	71638	110	B5-U5-G5	
	5W		64033	99	B5-U5-G5	68376	105	B5-U5-G5	68688	106	B5-U5-G5	
	FT		66727	103	B5-U5-G5	71253	110	B5-U5-G5	71578	110	B5-U5-G5	
	FTA		66240	102	B5-U5-G5	70733	109	B5-U5-G5	71056	110	B5-U5-G5	
	AM		62105	96	B5-U5-G5	66351	102	B4-U5-G5	67015	103	B5-U5-G5	

\*LEDs are frequently updated therefore values are nominal.

ELECTRICAL DATA (AMPS)*							
Lumens	Watts	120V	208V	240V	277V	347V	480V
35L	294	2.5A	1.4A	1.2A	1.1A	0.8A	0.6A
45L	406	3.4A	2.0A	1.7A	1.5A	1.2A	0.8A
55L	488	4.1A	2.3A	2.0A	1.8A	1.4A	1.0A
65L	589	4.9A	2.8A	2.5A	2.1A	1.7A	1.2A
72L/78L	649	5.4A	3.1A	2.7A	2.3A	1.9A	1.4A

\*Electrical data at 25C (77F). Actual wattage may differ by +/-10%

RECOMMENDED LUMEN MAINTENANCE <sup>1</sup> (7-18L)					
Ambient	Initial <sup>2</sup>	25h <sup>2</sup>	50hr <sup>2</sup>	75hr <sup>2</sup>	100hr <sup>2</sup>
0-40 C	100%	100%	97%	94%	92%

- 1 - Lumen maintenance values at 25C are calculated per TM-21 based on LM-80 data and in-situ testing.
- 2 - In accordance with IESNA TM-21-11, Projected Values represent interpolated value based on time durations that are within six times the IESNA LM-80-08 total test duration for the device under testing.
- 3 - In accordance with IESNA TM-21-11, Calculated Values represent time durations that exceed six times the IESNA LM-80-08 total test duration for the device under testing



# Mirada Post Top (MPH)

[Back to Quick Links](#)

## PHOTOMETRICS

Luminaire photometry has been conducted by a NVLAP accredited testing laboratory in accordance with IESNA LM-79-08. As specified by IESNA LM-79-08 the entire luminaire is tested as the source resulting in a luminaire efficiency of 100%.

See <http://www.lsi-industries.com/products/led-lighting-solutions.aspx> for detailed photometric data.

### MPH-LED-65L-SIL-2-40-70CRI

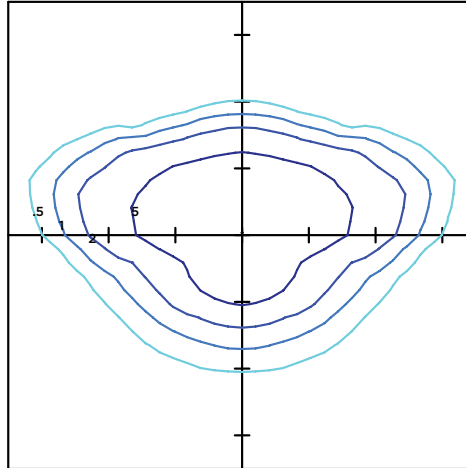
#### LUMINAIRE DATA

Type 2 Distribution	
Description	4000 Kelvin, 70 CRI
Delivered Lumens	66,337
Watts	589
Efficacy	113
IES Type	Type II - Short
BUG Rating	B5-U5-G5

#### Zonal Lumen Summary

Zone	Lumens	%Luminaire
Low (0-30)°	7267	10.9%
Medium (30-60)°	38108	57.4%
High (60-80)°	16531	24.9%
Very High (80-90)°	1435	2.2%
Uplight (90-180)°	3037	4.6%
Total Flux	66377	100%

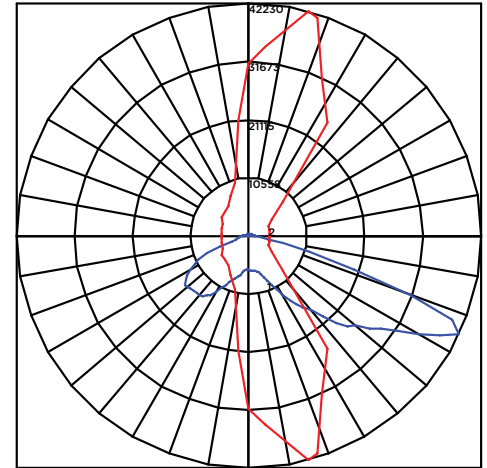
#### ISO FOOTCANDLE



#### 30' Mounting Height/ 30' Grid Spacing

■ 5 FC ■ 2 FC ■ 1 FC ■ 0.5 FC

#### POLAR CURVE



### MPH-LED-65L-SIL-3-40-70CRI

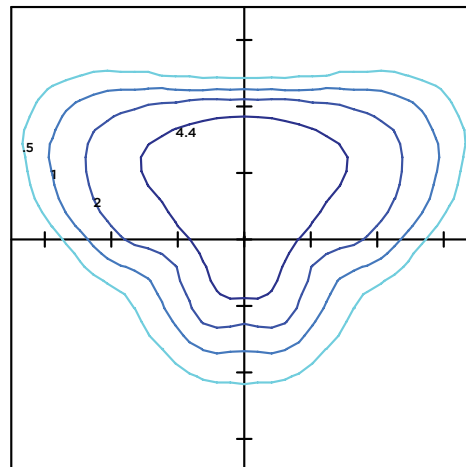
#### LUMINAIRE DATA

Type 3 Distribution	
Description	4000 Kelvin, 70 CRI
Delivered Lumens	67,634
Watts	589
Efficacy	115
IES Type	Type III - Medium
BUG Rating	B5-U5-G5

#### Zonal Lumen Summary

Zone	Lumens	%Luminaire
Low (0-30)°	5196	8%
Medium (30-60)°	31806	47%
High (60-80)°	26532	39%
Very High (80-90)°	1602	2%
Uplight (90-180)°	2498	4%
Total Flux	67634	100%

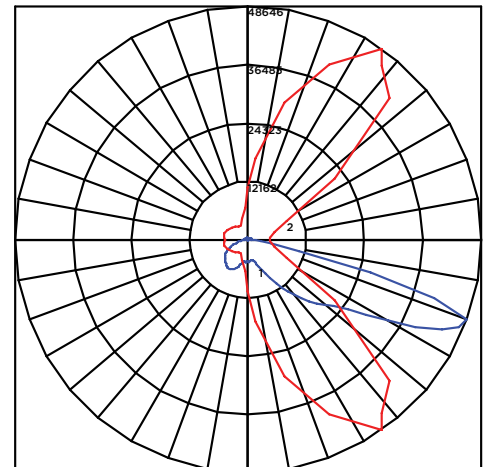
#### ISO FOOTCANDLE



#### 30' Mounting Height/ 30' Grid Spacing

■ 5 FC ■ 2 FC ■ 1 FC ■ 0.5 FC

#### POLAR CURVE





# Mirada Post Top (MPH)

## PHOTOMETRICS

### MPH-LED-65L-SIL-FT-40-70CRI

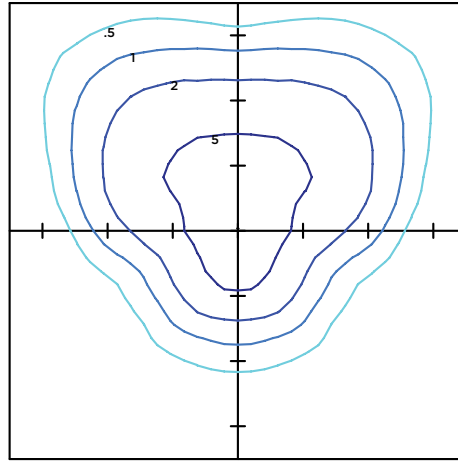
#### LUMINAIRE DATA

Type FT Distribution	
Description	4000 Kelvin, 70 CRI
Delivered Lumens	67,577
Watts	589
Efficacy	115
IES Type	Type IV - Short
BUG Rating	B5-U5-G5

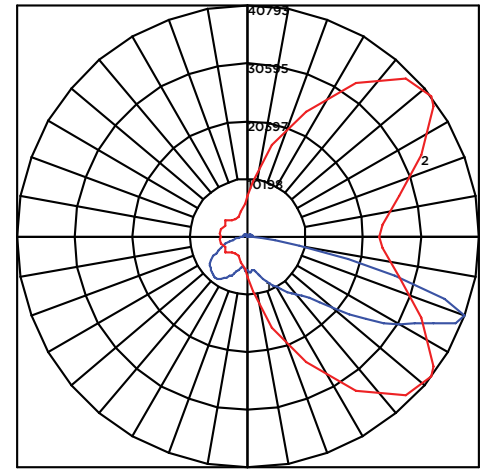
#### Zonal Lumen Summary

Zone	Lumens	%Luminaire
Low (0-30°)	6426	10%
Medium (30-60°)	29332	43%
High (60-80°)	27145	40%
Very High (80-90°)	2011	3%
Uplight (90-180°)	2663	4%
Total Flux	67577	100%

#### ISO FOOTCANDLE



#### POLAR CURVE



30' Mounting Height/ 30' Grid Spacing

■ 5 FC ■ 2 FC ■ 1 FC ■ 0.5 FC

### MPH-LED-65L-SIL-5W-40-70CRI

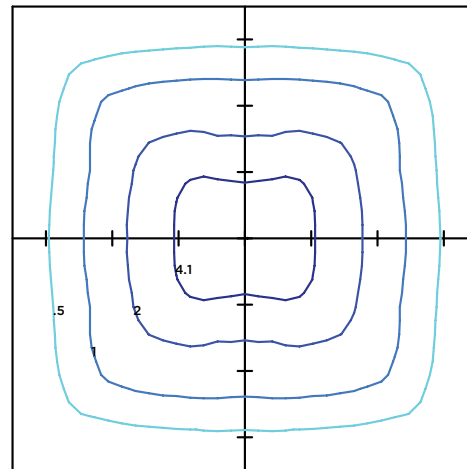
#### LUMINAIRE DATA

Type 5W Distribution	
Description	4000 Kelvin, 70 CRI
Delivered Lumens	64,849
Watts	589
Efficacy	110
IES Type	Type VS - Short
BUG Rating	B5-U5-G5

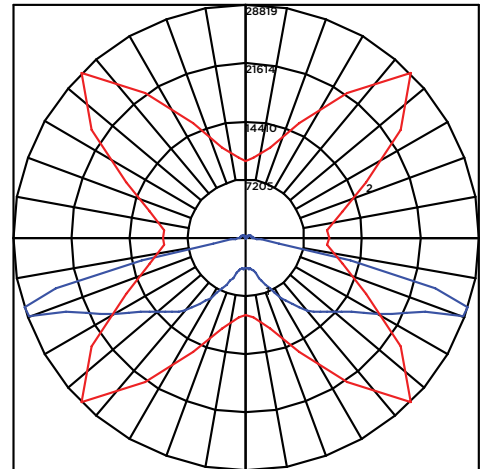
#### Zonal Lumen Summary

Zone	Lumens	%Luminaire
Low (0-30°)	4946	8%
Medium (30-60°)	27141	42%
High (60-80°)	29104	45%
Very High (80-90°)	1288	2%
Uplight (90-180°)	2369	4%
Total Flux	64849	100%

#### ISO FOOTCANDLE



#### POLAR CURVE



30' Mounting Height/ 30' Grid Spacing

■ 5 FC ■ 2 FC ■ 1 FC ■ 0.5 FC





# Mirada Post Top (MPH)

## PHOTOMETRICS

### MPH-LED-65L-SIL-FTA-40-70CRI

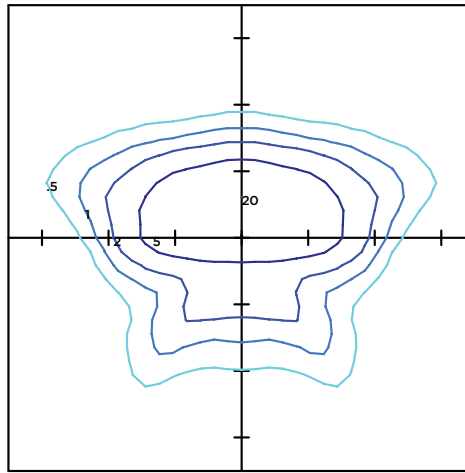
#### LUMINAIRE DATA

Type FTA Distribution	
Description	4000 Kelvin, 70 CRI
Delivered Lumens	67,083
Watts	589
Efficacy	114
IES Type	Type II - Short
BUG Rating	B5-U5-G5

#### Zonal Lumen Summary

Zone	Lumens	%Luminaire
Low (0-30°)	9883	15%
Medium (30-60°)	38955	58%
High (60-80°)	13048	19%
Very High (80-90°)	1672	2%
Uplight (90-180°)	3525	5%
Total Flux	67083	100%

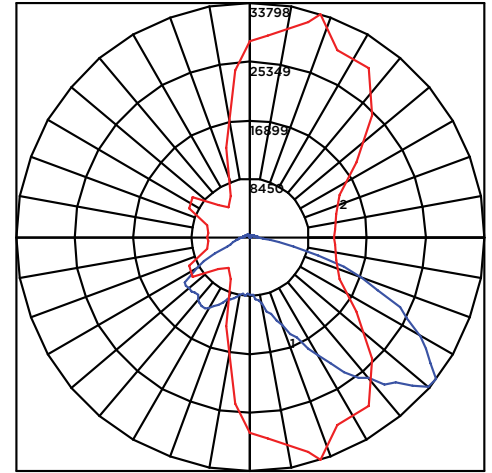
#### ISO FOOTCANDLE



30' Mounting Height/ 30' Grid Spacing

■ 5 FC ■ 2 FC ■ 1 FC ■ 0.5 FC

#### POLAR CURVE



### MPH-LED-65L-SIL-AM-40-70CRI

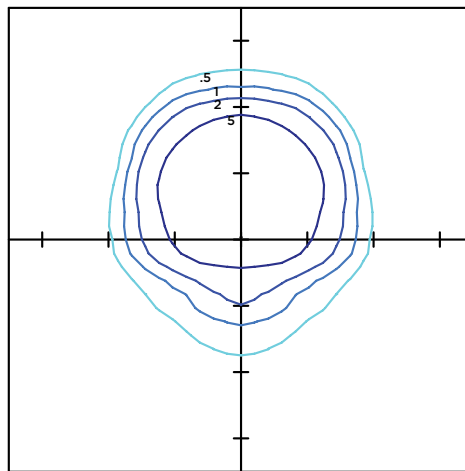
#### LUMINAIRE DATA

Type AM Distribution	
Description	4000 Kelvin, 70 CRI
Delivered Lumens	63,033
Watts	589
Efficacy	107
IES Type	Type III - Very Short
BUG Rating	B4-U5-G5

#### Zonal Lumen Summary

Zone	Lumens	%Luminaire
Low (0-30°)	8415	13%
Medium (30-60°)	38519	61%
High (60-80°)	11332	18%
Very High (80-90°)	1532	2%
Uplight (90-180°)	3237	5%
Total Flux	63033	100%

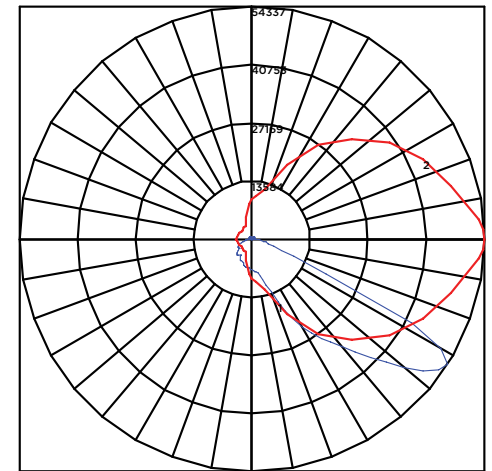
#### ISO FOOTCANDLE



30' Mounting Height/ 30' Grid Spacing

■ 5 FC ■ 2 FC ■ 1 FC ■ 0.5 FC

#### POLAR CURVE





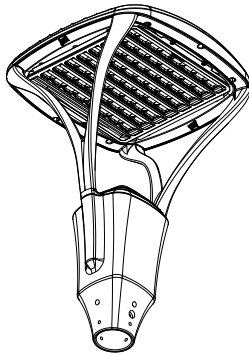
# Mirada Post Top (MPH)

## ACCESSORIES & OPTIONS

### Integral Louver (IL) and House-Side Shield (IH)

Accessory louver and shield available for improved backlight control without sacrificing street side performance. LSI's Integral Louver (L) and Integral House-Side Shield (IH) options deliver backlight control that significantly reduces spill light behind the poles for applications with pole locations close to adjacent properties. The design maximizes forward reflected light while reducing glare, maintaining the optical distribution selected, and most importantly eliminating light trespass. Both options rotate with the optical distribution.

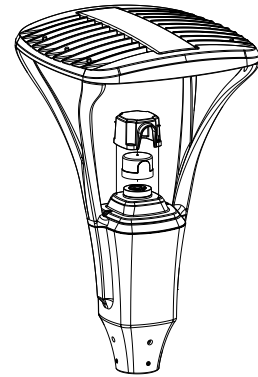
Luminaire Shown with Integral Louver (IL)



### 7 Pin Photoelectric Control

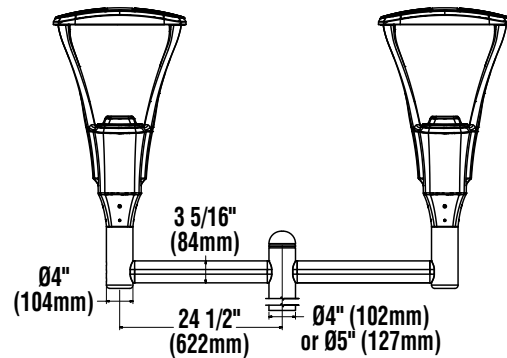
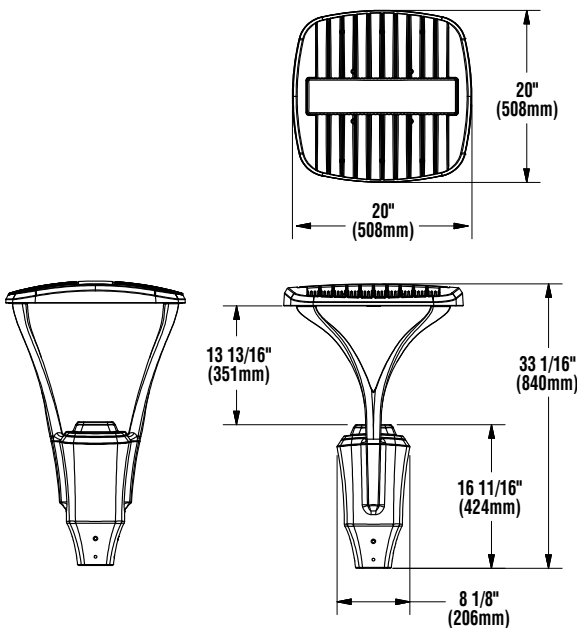
7-pin ANSI C136.41-2013 control receptacle option available for twist lock photocontrols with standard cast aluminum dog-house to shield the photocell from the luminaire's emitted light. Control accessories sold separately. Dimming leads from the receptacle will be connected to the driver dimming leads (Consult factory for alternate wiring).

Fixture Shown with CR7P

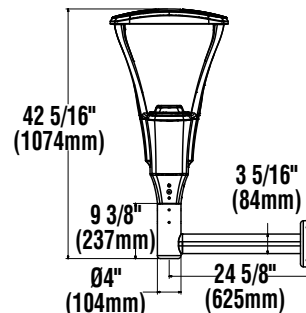


## PRODUCT DIMENSIONS

[Back to Quick Links](#)



**BK MPT BO Mount**  
Optional D180 1.5G rated Arm Assembly  
Mounts to 4" or 5" Dia. D180 Bolt-on Pole  
Consult factory for alternate configurations



**WM Wall Mount Bracket**  
1.5G rated Wall Mount Arm mounts to standard 4" steel J-Box (Supplied by others) and is provided with masonry anchors for extra support.

LUMINAIRE EPA CHART - MPH			
	Mounting	EPA	
■	PT Single	PT	1.0
■	PT D180° with BK MPT BO (2)	PT	2.0





# Mirada Post Top (MPH)

## CONTROLS

### AirLink Wireless Lighting Controller

The AirLink integrated controller is a California Title 24 compliant lighting controller that provides real-time light monitoring and control with utility-grade power monitoring. It includes a 24V sensor input and power supply to connect a sensor into the outdoor AirLink wireless lighting system. The wireless integrated controller is compatible with this fixture.

[Click here to learn more about AirLink.](#)

## POLES & BRACKETS

LSI offers a full line of poles and mounting accessories to complete your lighting assembly. Aluminum and steel in both square and round shafts. In addition, LSI offers round tapered, fluted and hinge based poles. Designed and engineered for durability and protected with our oven baked DuraGrip Protection System. Also available with our DuraGrip+ Protection system for unmatched corrosion resistance and an extended warranty. American made in our Ohio facility with industry leading lead times.

[Click here to learn more details about poles & brackets.](#)



### Square Internal Tenon Adaptor

The Square Pole Tenon 4", 5", & 6" Adaptors allow for the Mirada Post Top to be mounted on a square open top steel pole. Tenon adaptors slide into pole and bolt through for securing the tenon to the pole. These tenons are made hearty steel tubing, are double-welding and are painted with LSI- Duragrip Paint. Shipped with mounting hardware assembled



### Round External Tenon Adaptor

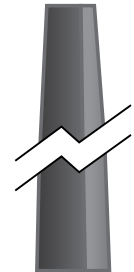
The Round Pole Top Tenon adaptors provide the right size tenon to ensure proper mounting of the Mirada Post Top onto Round tapered or straight poles. These tenons are made from hearty steel tubing, are double-welding, and are painted with LSI-Duragrip Paint. Shipped with mounting hardware assembled.



Square Pole  
14'-39'



Round Pole  
10'-30'



Tapered Pole  
20'-39'

