



Mirada Post Top (MPP)

Outdoor LED Post Top

**IP66**

OVERVIEW

Lumen Output Range	10,000 - 25,000
Wattage Range	73 - 208
Efficacy Range (LPW)	113 - 149
CCT (K)	3000, 4000, 5000
Controls	Standalone, Wireless
Weight lbs (kg) - ALI4	55 (25)

QUICK LINKS

[Ordering Guide](#)[Performance](#)[Photometrics](#)[Dimensions](#)

FEATURES & SPECIFICATIONS

Construction

- Rugged die-cast aluminum optical housing, cage, and fitter. Fitter contains factory pre-wired drivers and optional controls.
- Complete die-cast aluminum construction for maximum quality and surface finish.
- 1-PC die-cast aluminum cage with wire passages allows for IP66 full luminaire rating to protect integral components from harsh environments.
- Fixtures are finished with LSI's DuraGrip® polyester powder coat finishing process. The DuraGrip finish withstands extreme weather changes without cracking or peeling. Other standard LSI finishes available. Consult factory.
- Shipping weight: 55 lbs in carton.

Optical System

- State-of-the-Art one piece silicone optic sheet delivers industry leading optical control with an integrated gasket.
- Proprietary silicone refractor optics provide exceptional coverage and uniformity in IES Types 2, 3, 5W, FT.
- Silicone optical material does not yellow or crack with age and provides a typical light transmittance of 93%.
- Available in 5000K, 4000K, and 3000K color temperatures per ANSI C78.377.
- Minimum CRI of 70
- Integral louver (IL) and house-side shield (IH) options available for improved back-light control without sacrificing street side performance. See page 7 for more details.

- Minimal upright with less than 5% of the total lumen output going above 90°.

Electrical

- High-performance programmable driver features over-voltage, undervoltage, short-circuit and over temperature protection. Custom lumen and wattage packages available.
- 0-10V dimming (10% - 100%) standard.
- Standard Universal Voltage (120-277 Vac) Input 50/60 Hz or optional High Voltage (347-480 Vac).
- L92 Calculated Life: >100K Hours (See Lumen Maintenance on Page 3)
- Total harmonic distortion: <20%
- Operating temperature: -40°C to +50°C (-40°F to +122°F). 72L Package is limited to 40°C.
- Power factor: >.90
- Input power stays constant over life.
- Field replaceable surge protection device meets a minimum Category C Low operation (per ANSI/IEEE C62.41.2).
- High-efficacy LEDs mounted to metal-core circuit board to maximize heat dissipation
- Components are fully encased in potting material for moisture resistance. Driver complies with FCC standards.
- Internal power supplies and controls can be serviced via (2) integral fitter removable power trays.

Installation

- Designed to mount to 2-3/8"-3" OD x 3" to 4-1/2" tall tenon.
- Secures to tenon with 8 stainless steel set screws.
- 6' wire leads with strain relief zip-ties are provided in fitter for ease of wiring.

Warranty

- LSI luminaires carry a 5-year limited warranty. Refer to website for details.

Listings

- Listed to UL 1598 and UL 8750.
- Title 24 Compliant; see local ordinance for qualification information.
- Suitable for wet Locations
- IP66 rated Luminaire per IEC 60598.
- 3G rated for ANSI C136.31 high vibration applications.
- DesignLights Consortium® (DLC) qualified product. Not all versions of this product may be DLC qualified. Please check the DLC Qualified Products List at www.designlights.org/QPL to confirm which versions are qualified.

Specifications and dimensions subject to change without notice.





Mirada Post Top (MPP)

[Back to Quick Links](#)

ORDERING GUIDE

TYPICAL ORDER EXAMPLE: **MPP LED 10L SIL 5W UNV DIM 40 70CRI ALSC BLK**

Luminaire Prefix	Light Source	Lumen Package*	Light Output	Distribution	Voltage	Driver
MPP - Mirada Post Top Pedestrian Scale	LED	10L - 10,000 lm 15L - 15,000 lm 20L - 20,000 lm 25L - 25,000 lm Consult factory for programmable wattages and lumen packages ⁸	SIL - Silicone	2 - Type 2 3 - Type 3 FT - Type 4 Forward Throw 5W - Type 5 Wide	UNV - Universal Voltage (120-277V) HV - High Voltage (347-480V)	DIM - 0-10V Dimming (0-10%)
Color Temp	Color Rendering	Controls (Choose One)		Finish	Options	
50 - 5,000 CCT 40 - 4,000 CCT 30 - 3,000 CCT 27 - 2,700 CCT ⁹	70CRI - 70 CRI 80CRI - 80 CRI ⁹	(Blank) - None <u>Wireless Controls System</u> ALSC - AirLink Synapse Control System ALSCH - AirLink Synapse Control System Host/Satellite <u>Stand-Alone Controls</u> EXT - 0-10v Dimming (from external signal) CR7P - 7 Pin Control Receptacle ANSI C136.41 ²		BRZ - Bronze BLK - Black GPT - Graphite MSV - Metallic Silver WHT - White PLP - Platinum Plus SVG - Satin Verde Green	(Blank) - None IH - Integral House Side Shield ² IL - Integral Louver (Sharp Spill Light Cutoff) ²	

Accessory Ordering Information³

CONTROLS ACCESSORIES		MOUNTING ACCESSORIES	
Description	Order Number	Description	Order Number
PC120 Photocell for use with CR7P option (120V) ⁴	122514	WM Wall Mount Bracket ⁵	693664CLR
PC208-277 Photocell for use with CR7P option (208V, 240V, 277V) ⁴	122515	BK MPT BO Mount ⁵	693665CLR
Twist Lock Photocell (347V) for use with CR7P ⁴	122516	Internal Tenon Adapter For 4" Square Pole ⁵	694638CLR
Twist Lock Photocell (480V) for use with CR7P ⁴	1225180	Internal Tenon Adapter 5" Square Pole ⁵	694641CLR
PMOS24 -24V Pole-Mount Occupancy Sensor ^{5,6}	663284CLR	Internal Tenon Adapter 6" Square Pole ⁵	694642CLR
AirLink 5 Pin Twist Lock Controller ⁴	61409	External Tenon Adapter 3" Round Pole ⁵	694643CLR
AirLink 7 Pin Twist Lock Controller ⁴	661410	External Tenon Adapter 3-1/2" Round/Tapered Pole ⁵	694644CLR
Shorting Cap for use with CR7P ⁴	149328	External Tenon Adapter 4" Round/Tapered Pole ⁵	694645CLR
FUSING ACCESSORIES ⁷		FOOTNOTES:	
Description	Order Number	1 - Control device or shorting cap must be ordered separately. See Accessory Ordering Information.	
Single Fusing (120V)	FK120	2 - Not available with 5W distribution	
Single Fusing (277V)	FK277	3 - Accessories are shipped separately and field installed.	
Double Fusing (208V,240V)	DFK240	4 - Factory installed CR7P option required. See Options.	
Double Fusing (347V)	DFK347	5 - "CLR" denotes finish. See Finish options.	
Double Fusing (480V)	DFK480	6 - Only available with ALSCH/ALSCH control options.	
SHIELDING ACCESSORIES ²		7 - Fusing must be located in hand hole of pole.	
IH - Integral House Side Shield	743417	8 - Custom lumen and wattage packages available consult factory. Values are within industry standard tolerances but not DLC listed.	
IL - Integral Louver (Sharp Spill Light Cutoff)	743423	9 - Consult factory for lead time and availability.	





Mirada Post Top (MPP)

[Back to Quick Links](#)

PERFORMANCE

DELIVERED LUMENS*															
Lumen Package	Distribution	CRI	2700K CCT			3000K CCT			4000K CCT			5000K CCT			Wattage
			Delivered Lumens	Efficacy	BUG Rating	Delivered Lumens	Efficacy	BUG Rating	Delivered Lumens	Efficacy	BUG Rating	Delivered Lumens	Efficacy	BUG Rating	
10L	2	70	9325	128	B2-U3-G2	9521	131	B2-U3-G2	10159	140	B2-U3-G2	10645	147	B2-U3-G2	73
	2 - IL	70	4623	64	B1-U3-G1	4721	65	B1-U3-G1	5037	69	B1-U3-G1	5278	73	B1-U3-G1	
	3	70	9486	131	B2-U3-G2	9686	133	B2-U3-G2	10335	142	B2-U3-G2	10829	149	B2-U3-G2	
	3 - IL	70	5937	82	B0-U3-G2	6062	83	B0-U3-G2	6468	89	B1-U3-G2	6777	93	B1-U3-G2	
	5W	70	8829	122	B3-U3-G2	9015	124	B3-U3-G2	9619	132	B3-U3-G2	10079	139	B4-U3-G2	
	FT	70	9360	129	B2-U3-G3	9557	132	B2-U3-G3	10197	140	B2-U3-G3	10685	147	B2-U3-G3	
	FT - IL	70	5269	73	B0-U3-G2	5380	74	B0-U3-G2	5740	79	B0-U3-G2	6014	83	B0-U3-G2	
	FTA	70	9506	131	B3-U3-G2	9707	134	B2-U3-G2	10357	143	B2-U3-G2	10852	149	B2-U3-G2	
FTA - IL	70	5763	79	B1-U3-G1	5885	81	B1-U3-G1	6279	86	B1-U3-G1	6579	91	B1-U3-G1		
15L	2	70	14768	126	B3-U3-G3	15079	129	B3-U3-G3	16089	138	B3-U3-G3	16859	144	B3-U4-G3	117
	2 - IL	70	7322	63	B1-U3-G2	7476	64	B1-U3-G2	7977	68	B1-U3-G2	8359	71	B1-U3-G2	
	3	70	15024	128	B3-U3-G3	15340	131	B3-U3-G3	16368	140	B3-U3-G3	17151	147	B3-U3-G3	
	3 - IL	70	9402	80	B1-U3-G2	9600	82	B1-U3-G2	10244	88	B1-U3-G2	10734	92	B1-U3-G2	
	5W	70	13983	120	B4-U3-G2	14277	122	B4-U3-G2	15234	130	B4-U3-G2	15963	136	B4-U3-G2	
	FT	70	14823	127	B3-U3-G3	15135	129	B3-U3-G3	16149	138	B3-U3-G3	16922	145	B3-U3-G3	
	FT - IL	70	8344	71	B0-U3-G2	8520	73	B1-U3-G2	9091	78	B1-U3-G2	9525	81	B1-U3-G2	
	FTA	70	15056	129	B3-U4-G3	15373	131	B3-U4-G3	16403	140	B3-U4-G3	17187	147	B3-U4-G3	
FTA - IL	70	9128	78	B1-U3-G2	9320	80	B1-U3-G2	9944	85	B1-U3-G2	10420	89	B1-U3-G2		
20L	2	70	19843	119	B3-U4-G3	20261	122	B3-U4-G3	21618	130	B3-U4-G3	22652	136	B3-U4-G3	166
	2 - IL	70	9838	59	B1-U3-G2	10046	60	B1-U3-G2	10719	64	B1-U3-G2	11231	68	B1-U3-G2	
	3	70	20186	121	B3-U3-G3	20612	124	B3-U3-G4	21993	132	B3-U4-G4	23044	139	B3-U4-G4	
	3 - IL	70	12633	76	B1-U3-G3	12899	78	B1-U3-G3	13764	83	B1-U3-G3	14422	87	B1-U3-G3	
	5W	70	18788	113	B4-U3-G3	19184	115	B4-U3-G3	20469	123	B5-U3-G3	21448	129	B5-U4-G3	
	FT	70	19917	120	B3-U4-G3	20336	122	B3-U4-G3	21699	130	B3-U4-G4	22737	137	B3-U4-G4	
	FT - IL	70	11211	67	B1-U3-G3	11448	69	B1-U3-G3	12215	73	B1-U3-G3	12799	77	B1-U3-G3	
	FTA	70	20229	122	B3-U4-G3	20656	124	B3-U4-G3	22039	133	B3-U4-G3	23093	139	B3-U4-G3	
FTA - IL	70	12264	74	B1-U4-G2	12523	75	B1-U4-G2	13362	80	B1-U4-G2	14001	84	B1-U4-G2		
25L	2	70	24386	117	B4-U4-G3	24900	120	B4-U4-G3	26568	128	B4-U4-G3	27839	134	B4-U4-G3	208
	2 - IL	70	12091	58	B1-U3-G2	12346	59	B1-U3-G2	13173	63	B1-U3-G2	13803	66	B1-U4-G2	
	3	70	24809	119	B3-U4-G4	25331	122	B3-U4-G4	27029	130	B3-U4-G4	28321	136	B3-U4-G4	
	3 - IL	70	15526	75	B1-U3-G3	15853	76	B1-U3-G3	16915	81	B1-U3-G3	17724	85	B1-U3-G3	
	5W	70	23090	111	B5-U4-G3	23576	113	B5-U4-G3	25156	121	B5-U4-G3	26359	127	B5-U4-G3	
	FT	70	24477	118	B3-U4-G4	24993	120	B3-U4-G4	26668	128	B3-U4-G4	27943	134	B3-U4-G4	
	FT - IL	70	13779	66	B1-U3-G3	14069	68	B1-U3-G3	15011	72	B1-U3-G3	15729	76	B1-U3-G4	
	FTA	70	24861	119	B3-U4-G3	25385	122	B3-U4-G3	27086	130	B3-U4-G3	28381	136	B3-U4-G3	
FTA - IL	70	15072	72	B1-U4-G2	15390	74	B1-U4-G2	16421	79	B2-U4-G2	17206	83	B2-U4-G2		

*LEDs are frequently updated therefore values are nominal.

ELECTRICAL DATA (AMPS)*							
Lumens	Watts	120V	208V	240V	277V	347V	480V
10L	73	0.6A	0.3A	0.3A	0.3A	0.2A	0.2A
15L	117	1.0A	0.6A	0.5A	0.4A	0.3A	0.2A
20L	116	1.4A	0.8A	0.7A	0.6A	0.5A	0.3A
25L	2208	1.7A	1.0A	0.9A	0.8A	0.6A	0.4A

*Electrical data at 25C (77F). Actual wattage may differ by +/-10%

RECOMMENDED LUMEN MAINTENANCE ¹ (7-18L)					
Ambient	Initial ²	25h ²	50hr ²	75hr ²	100hr ²
0 C	100%	98%	95%	93%	90%
10 C	100%	98%	95%	93%	90%
20 C	100%	98%	95%	93%	90%
25 C	100%	98%	95%	93%	90%
30 C	100%	98%	96%	93%	91%
40 C	100%	99%	96%	94%	92%
50 C	100%	99%	97%	95%	93%

- 1 - Lumen maintenance values at 25C are calculated per TM-21 based on LM-80 data and in-situ testing.
- 2 - In accordance with IESNA TM-21-11, Projected Values represent interpolated value based on time durations that are within six times the IESNA LM-80-08 total test duration for the device under testing.
- 3 - In accordance with IESNA TM-21-11, Calculated Values represent time durations that exceed six times the IESNA LM-80-08 total test duration for the device under testing





Mirada Post Top (MPP)

[Back to Quick Links](#)

PHOTOMETRICS

Luminaire photometry has been conducted by a NVLAP accredited testing laboratory in accordance with IESNA LM-79-08. As specified by IESNA LM-79-08 the entire luminaire is tested as the source resulting in a luminaire efficiency of 100%.

See <http://www.lsi-industries.com/products/led-lighting-solutions.aspx> for detailed photometric data.

MPP-LED-10L-SIL-2-40-70CRI

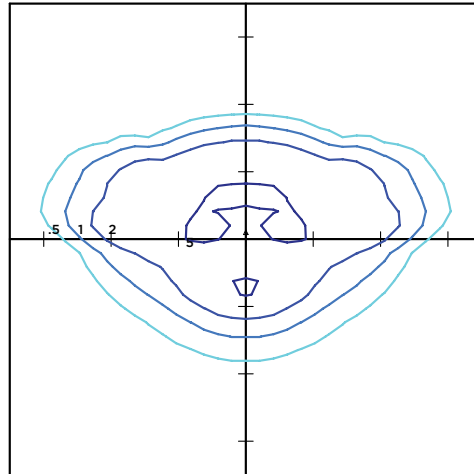
LUMINAIRE DATA

Type 2 Distribution	
Description	4000 Kelvin, 70 CRI
Delivered Lumens	10,159
Watts	73
Efficacy	139
IES Type	Type II - Short
BUG Rating	B2-U3-G2

Zonal Lumen Summary

Zone	Lumens	%Luminaire
Low (0-30)°	1014	10%
Medium (30-60)°	5631	55%
High (60-80)°	2860	28%
Very High (80-90)°	223	2%
Uplight (90-180)°	432	4%
Total Flux	10159	100%

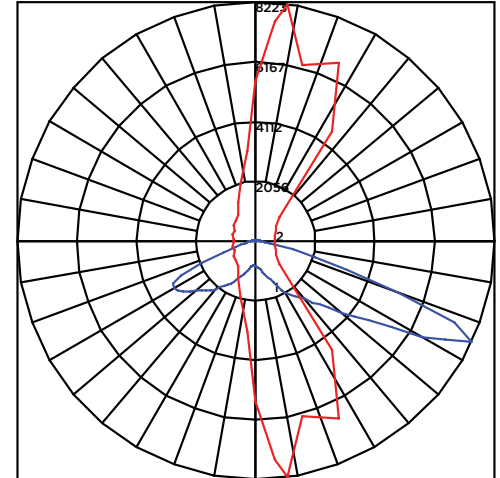
ISO FOOTCANDLE



15' Mounting Height/ 15' Grid Spacing

■ 5 FC ■ 2 FC ■ 1 FC ■ 0.5 FC

POLAR CURVE



MPP-LED-10L-SIL-3-40-70CRI

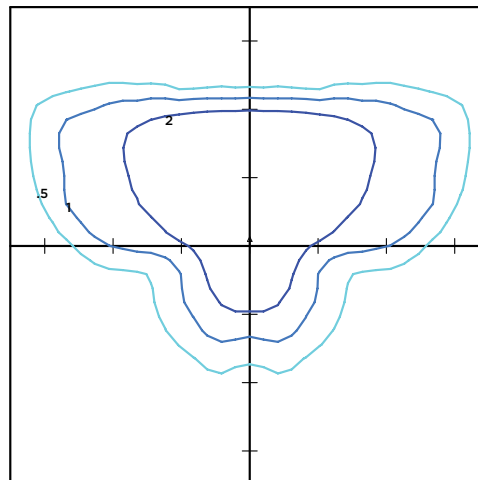
LUMINAIRE DATA

Type 3 Distribution	
Description	4000 Kelvin, 70 CRI
Delivered Lumens	10,335
Watts	73
Efficacy	142
IES Type	Type III - Medium
BUG Rating	B2-U3-G2

Zonal Lumen Summary

Zone	Lumens	%Luminaire
Low (0-30)°	667	6%
Medium (30-60)°	4607	45%
High (60-80)°	4461	43%
Very High (80-90)°	246	2%
Uplight (90-180)°	355	3%
Total Flux	10335	100%

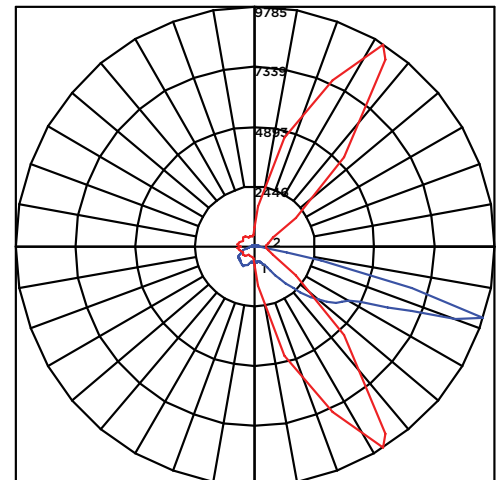
ISO FOOTCANDLE



15' Mounting Height/ 15' Grid Spacing

■ 5 FC ■ 2 FC ■ 1 FC ■ 0.5 FC

POLAR CURVE





Mirada Post Top (MPP)

PHOTOMETRICS

MPP-LED-10L-SIL-FT-40-70CRI

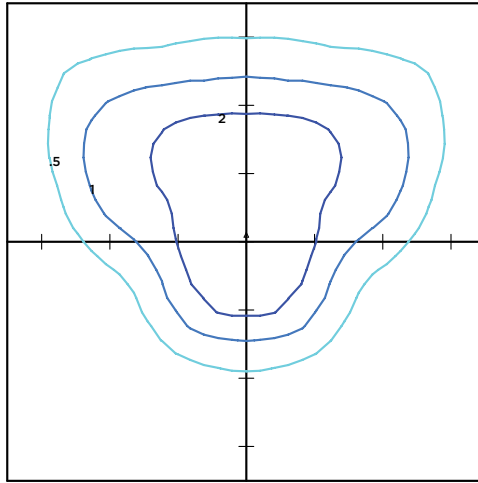
LUMINAIRE DATA

Type FT Distribution	
Description	4000 Kelvin, 70 CRI
Delivered Lumens	10,197
Watts	73
Efficacy	140
IES Type	Type IV - Medium
BUG Rating	B2-U3-G3

Zonal Lumen Summary

Zone	Lumens	%Luminaire
Low (0-30°)	936	9%
Medium (30-60°)	3938	39%
High (60-80°)	4544	45%
Very High (80-90°)	375	4%
Uplight (90-180°)	404	4%
Total Flux	10197	100%

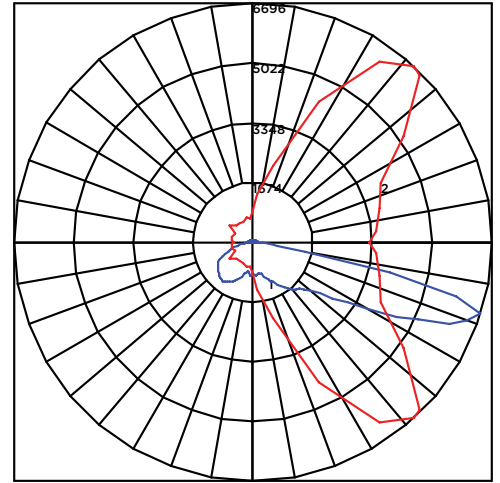
ISO FOOTCANDLE



15' Mounting Height/ 15' Grid Spacing

■ 5 FC ■ 2 FC ■ 1 FC ■ 0.5 FC

POLAR CURVE



MPP-LED-10L-SIL-5W-40-70CRI

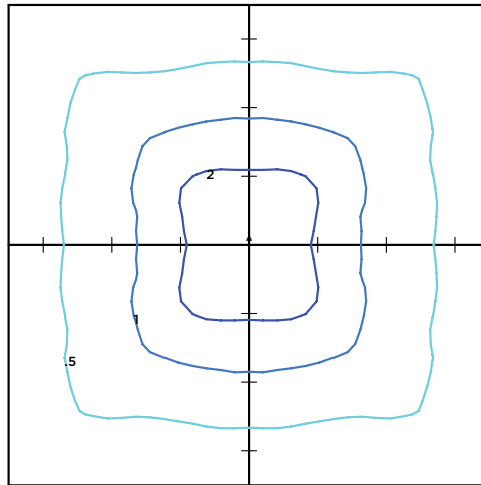
LUMINAIRE DATA

Type 5W Distribution	
Description	4000 Kelvin, 70 CRI
Delivered Lumens	9,619
Watts	73
Efficacy	132
IES Type	Type VS - Short
BUG Rating	B3-U3-G2

Zonal Lumen Summary

Zone	Lumens	%Luminaire
Low (0-30°)	645	7%
Medium (30-60°)	3566	37%
High (60-80°)	4819	50%
Very High (80-90°)	257	3%
Uplight (90-180°)	332	3%
Total Flux	9619	100%

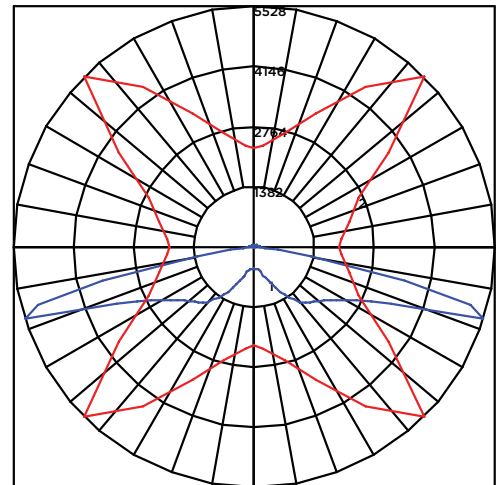
ISO FOOTCANDLE



15' Mounting Height/ 15' Grid Spacing

■ 5 FC ■ 2 FC ■ 1 FC ■ 0.5 FC

POLAR CURVE





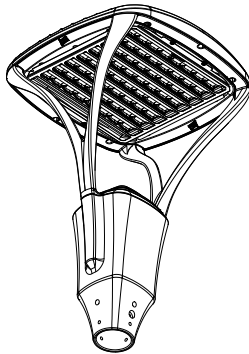
Mirada Post Top (MPP)

ACCESSORIES & OPTIONS

Integral Louver (IL) and House-Side Shield (IH)

Accessory louver and shield available for improved backlight control without sacrificing street side performance. LSI's Integral Louver (L) and Integral House-Side Shield (IH) options deliver backlight control that significantly reduces spill light behind the poles for applications with pole locations close to adjacent properties. The design maximizes forward reflected light while reducing glare, maintaining the optical distribution selected, and most importantly eliminating light trespass. Both options rotate with the optical distribution.

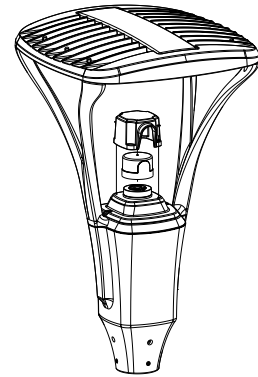
Luminaire Shown with Integral Louver (IL)



7 Pin Photoelectric Control

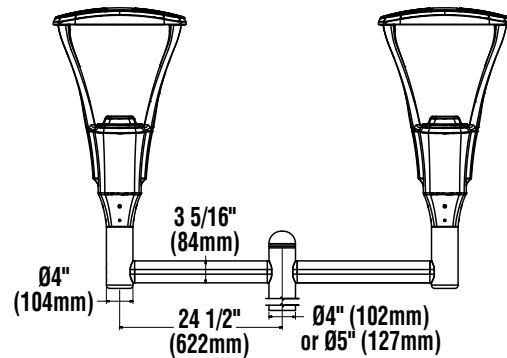
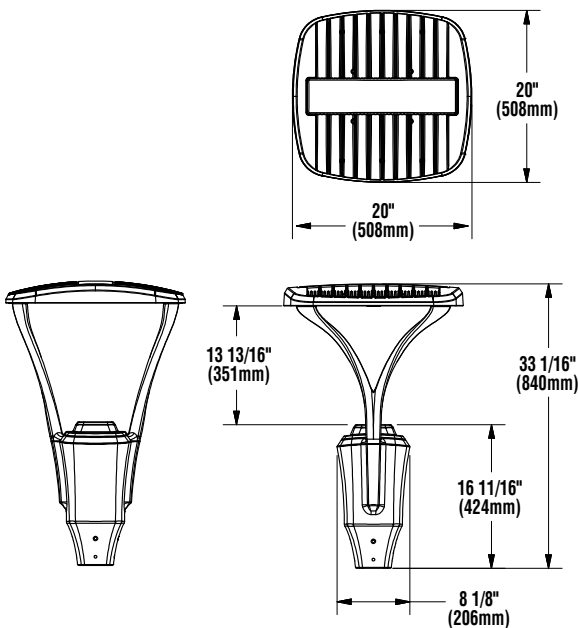
7-pin ANSI C136.41-2013 control receptacle option available for twist lock photocontrols with standard cast aluminum dog-house to shield the photocell from the luminaire's emitted light. Control accessories sold separately. Dimming leads from the receptacle will be connected to the driver dimming leads (Consult factory for alternate wiring).

Fixture Shown with CR7P

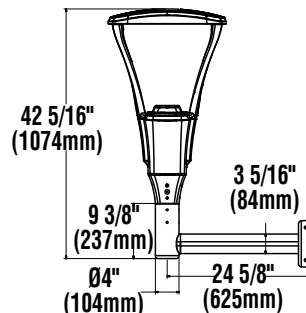


PRODUCT DIMENSIONS

[Back to Quick Links](#)



BK MPT BO Mount
Optional D180 1.5G rated Arm Assembly
Mounts to 4" or 5" Dia. D180 Bolt-on Pole
Consult factory for alternate configurations



WM Wall Mount Bracket
1.5G rated Wall Mount Arm mounts to standard 4" steel J-Box (Supplied by others) and is provided with masonry anchors for extra support.

LUMINAIRE EPA CHART - MPH			
	Mounting	EPA	
■	PT Single	PT	1.0
■	PT D180° with BK MPT BO (2)	PT	2.0



Mirada Post Top (MPP)

CONTROLS

AirLink Wireless Lighting Controller

The AirLink integrated controller is a California Title 24 compliant lighting controller that provides real-time light monitoring and control with utility-grade power monitoring. It includes a 24V sensor input and power supply to connect a sensor into the outdoor AirLink wireless lighting system. The wireless integrated controller is compatible with this fixture.

[Click here to learn more about AirLink.](#)

POLES & BRACKETS

LSI offers a full line of poles and mounting accessories to complete your lighting assembly. Aluminum and steel in both square and round shafts. In addition, LSI offers round tapered, fluted and hinge based poles. Designed and engineered for durability and protected with our oven baked DuraGrip Protection System. Also available with our DuraGrip+ Protection system for unmatched corrosion resistance and an extended warranty. American made in our Ohio facility with industry leading lead times.

[Click here to learn more details about poles & brackets.](#)



Square Internal Tenon Adaptor

The Square Pole Tenon 4", 5", & 6" Adaptors allow for the Mirada Post Top to be mounted on a square open top steel pole. Tenon adaptors slide into pole and bolt through for securing the tenon to the pole. These tenons are made hearty steel tubing, are double-welding and are painted with LSI- Duragrip Paint. Shipped with mounting hardware assembled



Round External Tenon Adaptor

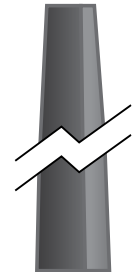
The Round Pole Top Tenon adaptors provide the right size tenon to ensure proper mounting of the Mirada Post Top onto Round tapered or straight poles. These tenons are made from hearty steel tubing, are double-welding, and are painted with LSI-Duragrip Paint. Shipped with mounting hardware assembled.



Square Pole
14'-39'



Round Pole
10'-30'



Tapered Pole
20'-39'

