



# Commerical Area Medium (SMA)

## Outdoor LED Area Light



### OVERVIEW

Lumen Output Range	28,000 - 38,000
Wattage Range	229 - 316
Efficacy Range (LPW)	105 - 127
CCT (K)	3000, 4000, 5000
Controls	Standalone Sensor, 7-Pin
Weight lbs (kg)	19 (8.7)

### QUICK LINKS

[Ordering Guide](#)[Performance](#)[Photometrics](#)[Dimensions](#)

## FEATURES & SPECIFICATIONS

### Construction

- Rugged die-cast aluminum housing for maximum durability and reliability.
- IP65 rated luminaire protects integral components from harsh environments.
- Shipping weight: 19.16 lbs in carton.

### Optical System

- Premium engineered IP65 rated acrylic optic assemblies deliver Type 3, 4 (FT) or 5 distributions.
- Zero uplight.
- Available in 5000K, 4000K, and 3000K color temperatures per ANSI C78.377.
- Minimum CRI of 80.

### Electrical

- High-performance driver features shortcircuit and over temperature protection with integral surge protection (6kV).
- 0-10V dimming (10% - 100%) standard.
- Standard Universal Voltage (120-277 Vac) Input 50/60 Hz or optional High Voltage (347-480 Vac).

- L70 Calculated Life: >50K Hours (See Lumen Maintenance on Page 3)
- Total harmonic distortion: <20%
- Operating temperature: -40°C to +40°C (-40°F to +104°F).
- Power factor: >.95
- Input power stays constant over life.
- Optional 10kV surge protection device meets a minimum Category C Low operation (per ANSI/IEEE C62.41.2).
- High-efficacy LEDs mounted to metal-core circuit board to maximize heat dissipation.

### Installation

- Mounting method ships separately and can be quickly connected to the luminaire.
- Wiring leads extended out of the main housing eliminating the need of opening the luminaire electrical chamber.
- Utilizes B2 pole drill pattern for arm mounting.
- Utilizes adjustable slip fitter for mast arm or tenon mounting.
- Utilizes adjustable slip fitter for mast arm or tenon mounting.

### Warranty

- LSI luminaires carry a 5-year limited warranty. Complete warranty terms are located on our website.

### Listings

- Listed to UL 1598 and UL 8750.
- IDA compliant; with 3000K color temperature selection (PM mounting only).
- Title 24 Compliant; see local ordinance for qualification information.
- Suitable for wet Locations
- IP65 rated Luminaire per IEC 60598
- 1.5G rated for ANSI C136.31 high vibration applications applications are qualified.
- DesignLights Consortium® (DLC) qualified product. Not all versions of this product may be DLC qualified. Please check the DLC Qualified Products List at [www.designlights.org/QPL](http://www.designlights.org/QPL) to confirm which versions are qualified.

*Specifications and dimensions subject to change without notice.*





# Commercial Area Light Medium (SMA)

## ORDERING GUIDE

[Back to Quick Links](#)TYPICAL ORDER EXAMPLE: **SMA LED 28L ACR FT UNV DIM 40 IMS2 BRZ PM**

Luminaire Prefix	Light Source	Lumen Package	Lens	Distribution	Voltage	Driver
SMA - Medium Commercial Area	LED	28L - 28,000 lms 38L - 38,000 lms	ACR - Acrylic	3 - Type 3 5W - Type 5 Wide FT - Type Forward Throw	UNV - Universal Voltage (120-277V) HV - High Voltage (347-480V)	DIM - 0-10V Dimming (0-10%)
Color Temp	Color Rendering	Controls (Choose One)			Finish	Mounting Options
50 - 5,000K CCT 40 - 4,000K CCT 30 - 3,000K CCT	Blank - 80 CRI	(Blank) - None CR7P - 7 Pin Photoelectric Control Receptacle <sup>1</sup> IMS2 - Integral Motion Sensor and Photocell max 13-20' mounting height <sup>3</sup> IMS4 - Integral Motion Sensor and Photocell max 21-40' mounting height <sup>3</sup>			BRZ - Bronze	PM - Square Pole Mount Arm SF - Adjustable Slip fitter

## Accessory Ordering Information<sup>6</sup>

CONTROLS ACCESSORIES	
Description	Order Number <sup>2</sup>
PC120 Photocell for use with CR7P option (120v)	122514
PC208-277 Photocell for use with CR7P option (208V, 240V, 277V)	122515
Twist Lock Photocell (347V) for use with CR7P	122516
Twist Lock Photocell (480V) for use with CR7P	1225180
AirLink 5 Pin Twist Lock Controller	61409
AirLink 7 Pin Twist Lock Controller	661410
Shorting Cap for use with CR7P	149328

MOUNTING ACCESSORIES	
Description	Order Number <sup>2</sup>
Round Pole Adapter for SSA/SMA for 4" or 5" OD Poles	SARPA45 BRZ
Round Pole Adapter for SSA/SMA for 3" or 3.5" OD Poles	SARPA3 BRZ
Quick Pole Mount Bracket (Square Pole, Bronze Finish)	751534
15° Quick Pole Mount Bracket (Square Pole, Bronze Finish)	740022
Wood Pole Bracket (6" Minimum OD Pole, Bronze Finish)	750440
AirLink 7 Pin Twist Lock Controller	661410
Wall Mount Bracket (Bronze Finish)	750441

FUSING ACCESSORIES <sup>4</sup>	
Description	Order Number <sup>2</sup>
Single Fusing (120V)	FK120
Single Fusing (277V)	FK277
Double Fusing (480V)	DFK480
Double Fusing (347V)	DFK347

### FOOTNOTES:

- Control device or shorting cap must be ordered separately. See Accessory Ordering Information.
- Factory installed CR7P option required. See Options.
- IMS is a Watt Stopper Dual Sensor (Daylight & Motion) which is field adjustable, via a hand held remote Illustrator tool, which must be ordered separately.
- Fusing must be located in hand hole of pole.

Luminaire Shown with CR7P



Luminaire Shown with IMS





# Commercial Area Light Medium (SMA)

## PERFORMANCE

[Back to Quick Links](#)

DELIVERED LUMENS*												
Lumen Package	Distribution	CRI	3000K			4000K			5000K			Wattage
			Delivered Lumens	Efficacy	BUG Rating	Delivered Lumens	Efficacy	BUG Rating	Delivered Lumens	Efficacy	BUG Rating	
28L	3	80	27,320	122	B4-U0-G4	27,821	121	B4-U0-G4	28,275	123	B4-U0-G4	229
	5W	80	27,743	124	B4-U0-G3	28,543	125	B4-U0-G2	29,009	127	B4-U0-G2	
	FT	80	25,901	116	B3-U0-G3	27,139	119	B4-U0-G4	27,582	120	B4-U0-G3	
38L	3	80	35,243	112	B4-U0-G4	35,818	113	B4-U0-G4	36,518	116	B4-U0-G4	316
	5W	80	35,667	113	B5-U0-G3	36,790	116	B5-U0-G3	37,579	119	B5-U0-G2	
	FT	80	33,320	105	B4-U0-G4	33,865	107	B4-U0-G4	35,099	111	B4-U0-G4	

\*LEDs are frequently updated therefore values are nominal.

ELECTRICAL DATA*							
Lumen Package	Watts	120V	208V	240V	277V	347V	480V
28L	229	1.91	1.10	0.95	0.83	.66	.48
38L	316	2.63	1.52	1.32	1.14	.91	.66

\*Electrical data at 25C (77F). Actual wattage may differ by +/-10%.

RECOMMENDED LUMEN MAINTENANCE (28L-38L) <sup>1</sup>					
Ambient Temperature C	Initial <sup>2</sup>	25K hrs. <sup>2</sup>	50K hrs. <sup>3</sup>	75K hrs. <sup>3</sup>	100K hrs. <sup>3</sup>
0C - 40C	98%	95%	93%	91%	89%

1 - Lumen maintenance values at 25C are calculated per TM-21 based on LM-80 data and in-situ testing.

2 - In accordance with IESNA TM-21-11, Projected Values represent interpolated value based on time durations that are within six times the IESNA LM-80-08 total test duration for the device under testing.

3 - Lumen maintenance values at 25C are calculated per TM-21 based on LM-80 data and in-situ testing times the IESNA LM-80-08 total test duration for the device under testing

LUMINAIRE EPA CHART						
Tilt Degree	Single	D180°	D90°	T90°	TN120°	Q90°
0°	0.6	1.1	0.8	1.1	1.1	1.1





# Commercial Area Light Medium (SMA)

## PHOTOMETRICS

[Back to Quick Links](#)

All published luminaire photometric testing performed to IESNA LM-79 standards by NVLAP, certified laboratory. ISO footcandle plots below demonstrate the SMA light patterns only. Not for total fixture output. For complete specifications and IES files, see website.

### SMA-LED-38L-ACR-3-40

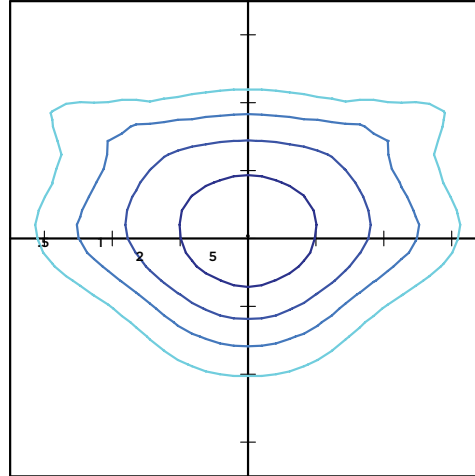
#### LUMINAIRE DATA

Type 3 Distribution	
Description	4000 Kelvin, 70 CRI
Delivered Lumens	35,043
Watts	306
Efficacy	115
IES Type	Type III - Medium
BUG Rating	B4-U0-G4

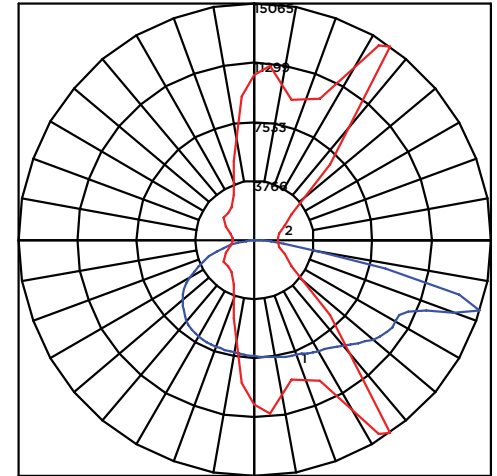
#### Zonal Lumen Summary

Zone	Lumens	%Luminaire
Low (0-30)°	6306	18%
Medium (30-60)°	17066	49%
High (60-80)°	10845	31%
Very High (80-90)°	826	2%
Uplight (90-180)°	0	0%
Total Flux	35043	100%

#### ISO FOOTCANDLE



#### POLAR CURVE



#### 25' Mounting Height/10' Grid Spacing

■ 5 FC ■ 2 FC ■ 1 FC ■ 0.5 FC

### SMA-LED-38L-ACR-FT-40

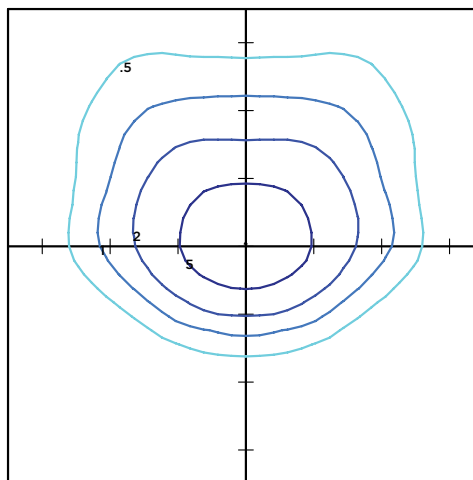
#### LUMINAIRE DATA

Type FT Distribution	
Description	4000 Kelvin, 70 CRI
Delivered Lumens	33,132
Watts	306
Efficacy	108
IES Type	Type IV - Short
BUG Rating	B4-U0-G4

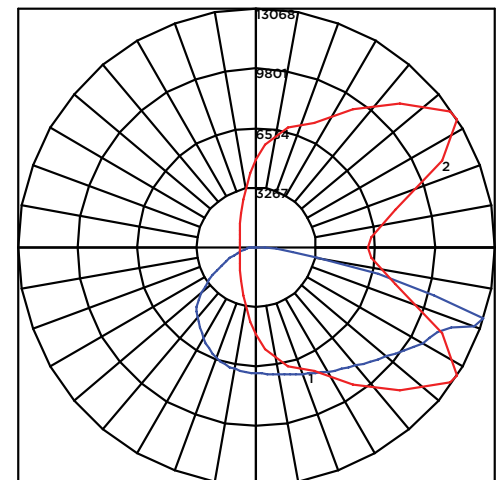
#### Zonal Lumen Summary

Zone	Lumens	%Luminaire
Low (0-30)°	5929	18%
Medium (30-60)°	16159	49%
High (60-80)°	10416	31%
Very High (80-90)°	10416	31%
Uplight (90-180)°	0	0%
Total Flux	33132	100%

#### ISO FOOTCANDLE



#### POLAR CURVE



#### 25' Mounting Height/10' Grid Spacing

■ 5 FC ■ 2 FC ■ 1 FC ■ 0.5 FC





# Commercial Area Light Medium (SMA)

## PHOTOMETRICS

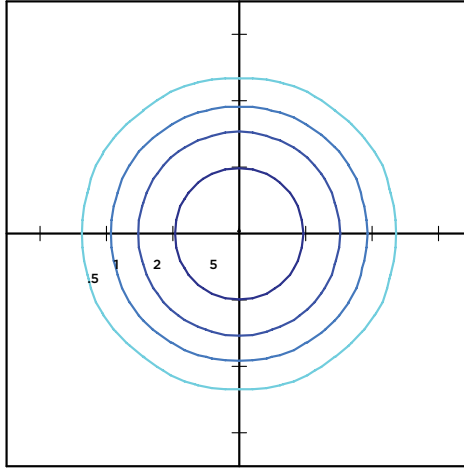
[Back to Quick Links](#)

### SMA-LED-38L-ACR-5W-40

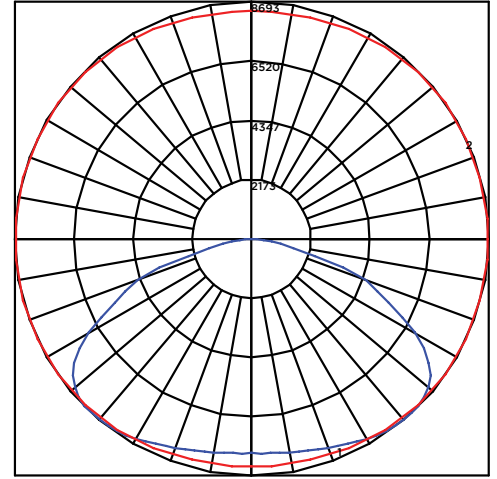
#### LUMINAIRE DATA

Type 5W Distribution	
Description	4000 Kelvin, 70 CRI
Delivered Lumens	35,216
Watts	306
Efficacy	115
IES Type	Type VS - Very Short
BUG Rating	B5-U0-G3

#### ISO FOOTCANDLE



#### POLAR CURVE



#### Zonal Lumen Summary

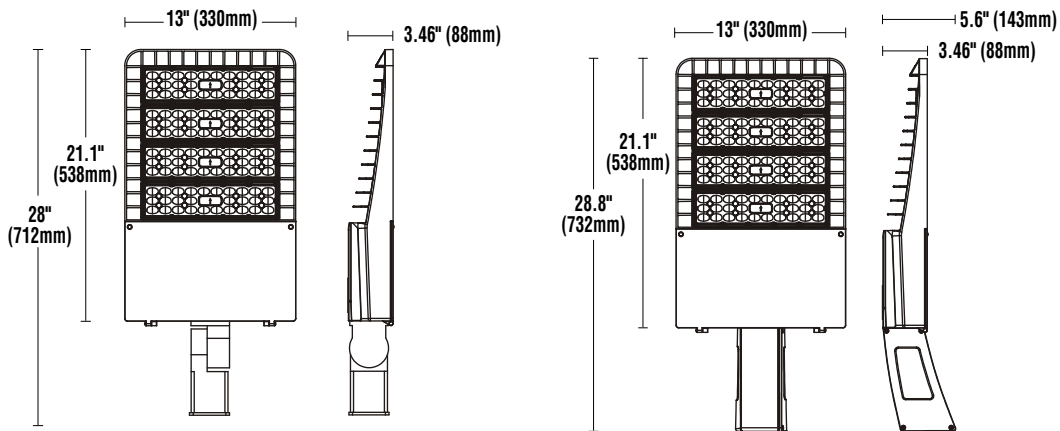
Zone	Lumens	%Luminaire
Low (0-30)°	6898	20%
Medium (30-60)°	18929	54%
High (60-80)°	8705	25%
Very High (80-90)°	684	2%
Uplight (90-180)°	0	0%
Total Flux	35216	100%

25' Mounting Height/10' Grid Spacing







5 FC
  2 FC
  1 FC
  0.5 FC

## PRODUCT DIMENSIONS

[Back to Quick Links](#)



#### LUMINAIRE EPA CHART

Tilt Degree						
	Single	D180°	D90°	T90°	TN120°	Q90°
0°	0.6	1.1	0.8	1.1	1.1	1.1





# Commercial Area Light Medium (SMA)

## MOUNTING

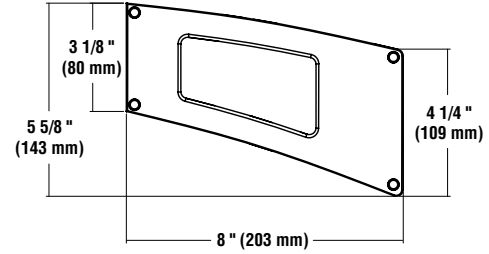
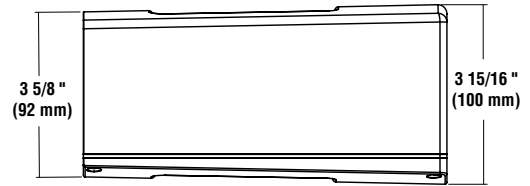


SF - Adjustable Slip Fitter for Mast Arm and Tenon

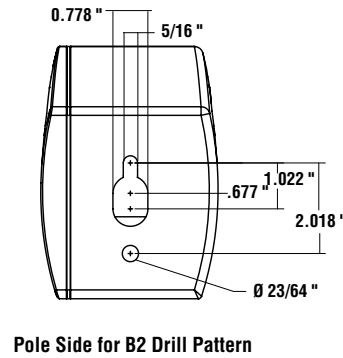
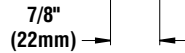
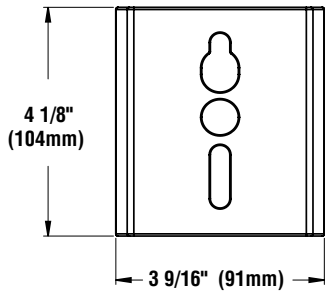
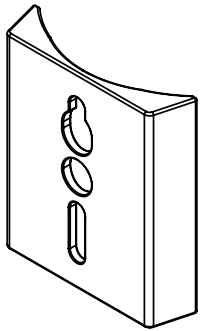


PM - Square Pole Mount Arm

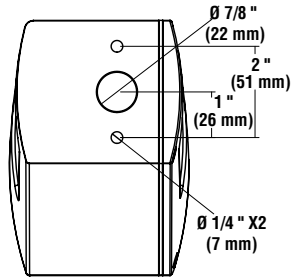
For Mast Arm & Tenon



SARPA45 BRZ - Round Pole Adapter



Pole Side for B2 Drill Pattern



Fixture Side

