

Catalog # :

Project :

Prepared By :

Date :



WCP Series LED Walkway Canopy



The LSI WCP LED Walkway Canopy Series is designed to optimize LED life and light output. Housing is hinged for quick and easy mounting and entrance. Using high brightness, high LED count technology, more usable light output is produced while eliminating glare.

Features & Specifications

Optical System

- The high transmission lens, with 91% efficiency, is high impact, scratch resistant acrylic and protects the LEDs. At the same time, it delivers improved visual comfort by eliminating any glare and providing a wider smoother and more uniform light output.
- Lens assembly is designed to provide high efficiency and to target the light where needed to satisfy outdoor lighting requirements.
- Positioning of the LEDs result in the light being directed to desired locations eliminating glare.
- 3000K | 4000K | 5000K color temperatures.
- Minimum CRI of 80.
- L70 Calculated Life: >200k Hours

Electrical

- High-performance driver features over-voltage, under voltage, short-circuit and over temperature protection.
- 0-10 volt dimming (10% - 100%) standard.
- Standard Universal Voltage (120-277 Vac) Input 50/60 Hz
- Total harmonic distortion: <20%
- Power factor: >.85
- Driver Off-State Power is 0 watts.
- Components are fully encased in potting material for moisture resistance. Driver complies with FCC standards. Driver and key electronic components can easily be accessed.
- Minimum 4kV surge rating

Controls

Wireless Controls System

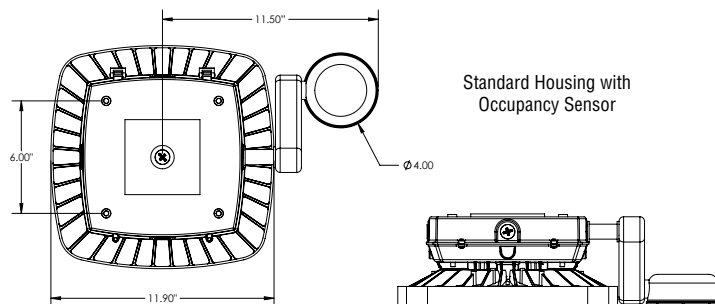
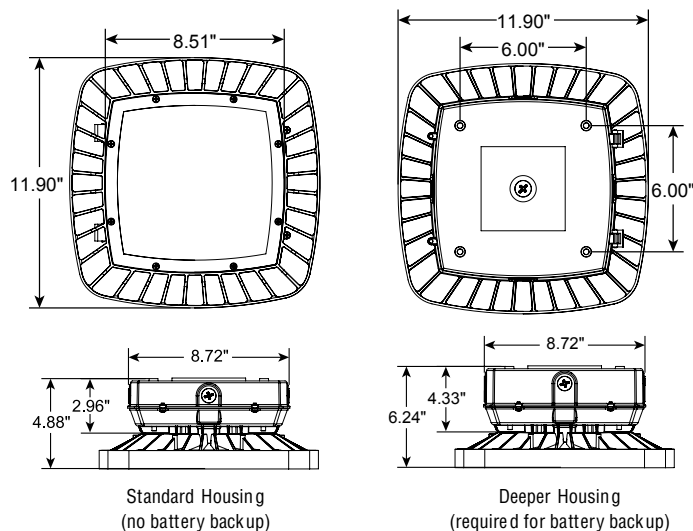
To make Airlink ready, order one of the following options:

- The integrated Wireless Lighting Controller: ALSC (see ordering guide) as the controls option, or
- Integrated Wireless Controller option (above) with integrated motion sensor: ALSCS (ordering guide for mounting heights)

For more information on our AirLink products, visit our website:
www.lsi-airlink.com/airlink-synapse/



Dimensions



*The majority of LSI Lighting Products are assembled in USA facilities by an American Workforce utilizing both Domestic and Foreign components. Meets Buy American requirements within the ARRA.



WCP Series LED Walkway Canopy

Features & Specifications (Cont.)

Stand Alone Controls

- The passive infrared motion sensor activates switching of luminaire light levels.

Construction

- Rugged aluminum die cast housing provides proven environmental protection for LED modules.
- Designed for commercial and industrial applications.
- Patent pending thermal stacking technology features a unique internal design that allows for lower operating temperatures which results in a brighter, whiter light, more stable color and longer LED and driver life.
- LSI LEDs provide higher lumen output, greater energy efficiency and more reliable fixture performance.
- LEDs manufactured for the WCP series utilize Epoxy Guard conformal coating which reduces the chance of board corrosion.
- Weight: 10.0 lbs in carton.

Warranty

- LSI LED Fixtures carry a 5-year warranty.

Listings

- CSA listed to UL 1598 and UL 8750.
- Luminaire is certified to UL/cUL Standards for Wet Locations.
- IDA Listed (3000K or warmer CCT)
- DesignLights Consortium® (DLC) qualified product. Not all versions of this product DLC qualified. Check the DLC Qualified Products List at www.designlights.org/QPL to confirm which versions are qualified.

Installation:

- Apertures for continuous wiring.
- Housing is hinged for quick and easy mounting and entrance.
- Can be pendant mounted using 1/2" threaded conduit fitting (by others).

Luminaire Ordering Guide

TYPICAL ORDER EXAMPLE: **WCP LED 3L DA W UNV DIM 30 BZA**

Family Prefix	Lumen Package	Lens Type	Distribution	Voltage	Dimming	Color Temp	Color Rendering	Options / Controls	Finishes
WCP LED - Walkway Canopy Series	3L - 3,000 Lumens	DA - Diffused Acrylic	W - Wide	UNV - Universal (120V-277V) HV - High Voltage (347V-480V)	DIM - Dim to 10% (0 to 10V)	30 - 3000K 40 - 4000K 50 - 5000K	Blank - 80 Color Rendering Index	ALSC - AirLink Synapse Wireless Controller ¹	BZA - Bronze WHT - White
	5L - 5,000 Lumens							OCSUE - Occupancy Sensor white housing 120 - 277V ²	
	7L - 7,000 Lumens							OCSHV - Occupancy Sensor white housing 480V ²	
	10L - 10,000 Lumens							EXT - 0-10V Dimming leads extended to housing exterior ² CWBB - Cold Weather Battery Backup -20°C to 50°C(-4°F to 122°F) (requires deeper housing) SP - Surge Protection	

Footnotes:

- Consult factory for HV with AirLink Synapse Wireless Digital Controller.
- Not compatible with AirLink Wireless Controls.

Performance

Lumens	3000K		4000K		5000K		Wattage
	Delivered Lumens	Efficacy	Delivered Lumens	Efficacy	Delivered Lumens	Efficacy	
3L	3363	137.21	3363	137.21	3492	142.37	25
5L	5452	134.60	5452	134.60	5626	135.25	40
7L	7680	127.30	7680	127.30	7788	129.11	60
10L	9691	121.78	9691	121.78	9821	121.11	80

Energy Savings

LED		HID			
Wattage	Annual Cost	Source Wattage	Total Wattage Used	Annual Cost	Annual Savings
25	\$11	50	72	\$52	\$41
		70	90	\$59	\$48
		100	129	\$77	\$66
40	\$18	100	129	\$77	\$59
		150	185	\$100	\$82
		175	210	\$112	\$94
60	\$26	200	232	\$128	\$102
		250	285	\$150	\$124
		400	458	\$226	\$200
80	\$35	200	232	\$128	\$93
		250	285	\$150	\$115
		400	458	\$226	\$191