

## LED LIFESTYLE SMALL DECORATIVE AREA LIGHTS (XDLS)



US patent 7,828,456 8,002,428, 8,177,386 8,434,893 8,567,983 and US & int'l. patents pending

**SMARTTEC™** - LSI drivers feature integral sensor which reduces drive current when ambient temperatures exceed rated temperature

**ENERGY SAVING CONTROL OPTION** - DIM - 0-10 volt dimming enabled with controls by others. BLS - Bi-level switching responds to external line voltage signal from separate 120-277V controller or sensor (by others), with low light level decreased to 30% maximum drive current.

**LEDS** - Select high-brightness LEDs in Cool White (5000K), Neutral White (4000K) or Warm White (3500K) color temperature. 70 CRI CW. 80 CRI NW and WW.

**DISTRIBUTION PATTERN** - Types 3, FT and 5. Exceptional uniformity creates bright environment at lower light levels. Improved backlight cutoff minimizes light trespass.

**CROWN** - Cast aluminum. Wiring emerges from crown through compression seal fitting to prevent water entry. One-piece silicone gasket seals crown to shade for water- and dust-tight construction.

**SHADES** - Spun aluminum. Two shade styles available - A - Angle and B - Bell.

**OPTICAL UNIT** - Optical unit and aluminum door frame recessed into shade and sealed with one-piece silicone gasket. Clear tempered flat glass lens sealed with silicone gasket to door frame (includes pressure-stabilizing breather). Optical unit is tethered and provides access to driver. Door frame retaining fasteners are captive.

**BRACKETS** - Brackets are extruded and cast aluminum assemblies or fabrications. All decorative elements are die cast or extruded aluminum.

**MOUNTING** - Classic Hook (CH) and Side Arm (SA - 4" O.D. minimum pole top required) available. See Steel Round Pole and Aluminum Round Pole data sheets for pole selection information. Side Arm pole mount requires 3" reduced drilling pattern. Classic hook mount requires a 4" O.D. pole or tenon.

**ELECTRICAL** - Two-stage surge protection (including separate surge protection built into electronic driver) meets IEEE C62.41.2-2002, Location Category C. Available with universal voltage power supply 120-277VAC (UE - 50/60Hz input), and 347-480 VAC. Optional button-type photocells (PCI) are available in 120, 208, 240, 277 or 347 volt (supply voltage must be specified).

**DRIVERS** - Available in SS (Super Saver) and HO (High Output) drive currents (Drive currents are factory programmed.). Components are fully encased in potting material for moisture resistance. Driver complies with FCC standards. Driver and key electronic components can easily be accessed.

**OPERATING TEMPERATURE** - -40°C to +50°C (-40°F to +122°F).

**FINISH** - Each fixture is finished with LSI's DuraGrip polyester powder coat process. The DuraGrip finish withstands extreme weather changes without cracking or peeling.

**WARRANTY** - LSI LED fixtures carry a limited 5-year warranty.

**PHOTOMETRICS** - Please visit our web site at [www.lsi-industries.com](http://www.lsi-industries.com) for detailed photometric data.

**SHIPPING WEIGHT (IN CARTON)** - 24 lbs. (10.8 kg)

**LISTINGS** - UL listed to U.S. and Canadian safety standards. Suitable for wet locations

		Lumens (Nominal)			Watts (Nominal)
		Type 3	Type FT	Type 5	
Cool White	SS	7100	6540	6220	71
	HO	9600	8990	8500	106
Neutral White	SS	6510	5840	5680	71
	HO	8810	7890	7780	106
Warm White	SS	4790	5170	5010	71
	HO	6460	6880	6740	106

LED Chips are frequently updated therefore values may increase.

This product, or selected versions of this product, meet the standards listed below. Please consult factory for your specific requirements.



Project Name \_\_\_\_\_ Fixture Type \_\_\_\_\_

Catalog # \_\_\_\_\_

9/09/19

© 2019

LSI INDUSTRIES INC.

# LED LIFESTYLE SMALL DECORATIVE AREA LIGHTS (XDLS)

## PRODUCT ORDERING INFORMATION

TYPICAL ORDER EXAMPLE: **XDLSB 3 LED SS CW UE BLK CH S PCI120**

Prefix	Distribution	Light Source	Drive Current	Color Temp	Input Voltage	Finish	Mounting Style <sup>1,2</sup>	Mounting Configuration <sup>1,2</sup>	Options
XDLSA <sup>1</sup> Angle Shade	3 - Type III 5 - Type V FT - Forward Throw	LED	SS - Super Saver	CW - Cool White (5000K)	UE - Universal Electronic (120-277V)	BLK - Black BRZ - Bronze WHT - White GPT - Graphite MSV - Metallic Silver PLP - Platinum Plus SVG - Satin Verde Green	CH - Classic Hook SA4 - Side Arm Mount for 4" O.D. Round Poles <sup>3</sup> SA5 - Side Arm Mount for 5" O.D. Round Poles <sup>3</sup>	S - Single D180 - Double D90 - Double <sup>4</sup> T90 - Triple <sup>4</sup> TN120 - Triple <sup>4</sup> Q90 - Quad <sup>4</sup> W - Wall Mount (For use with CH or Side Arm Mounting Style)	DIM - 0-10 Volt Dimming (from external signal) <sup>5</sup> BLS - Bi-level Switching (from external 120-277V signal) <sup>5</sup> Button Type Photocells PCI120 - 120V PCI208-277V - 208-277V PCI347 - 347V
XDLSB <sup>1</sup> Bell Shade			HO - High Output	NW - Neutral White (4000K) WW - Warm White (3500K)					

ACCESSORY ORDERING INFORMATION		(Accessories are field installed)	
Description	Order Number	Description	Order Number
FK120 Single Fusing (120V)	FK120 <sup>6</sup>	DFK480 Double Fusing (480V)	DFK480 <sup>6</sup>
FK277 Single Fusing (277V)	FK277 <sup>6</sup>	FK347 Single Fusing (347V)	FK347 <sup>6</sup>
DFK208, 240 Double Fusing (208V, 240V)	DFK208, 240 <sup>6</sup>		

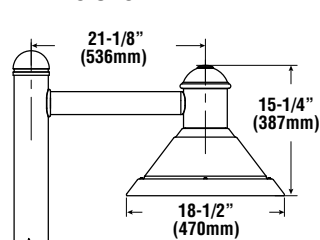
LUMINAIRE EPA CHART - XDLS	
Single	1.6
D180°	2.7
D90°	2.3
T90°	3.3
TN120°	3.4
Q90°	4.1

Note: Includes Bracket

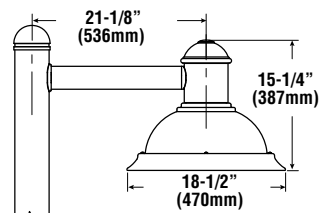
### FOOTNOTES:

- When ordering a multiple configuration (D180, etc.) order one fixture/bracket configuration per pole - i.e. order one XDLSB 3 LED SS CW UE BLK CH D180 PCI120 to receive two fixtures and one CH D180 bracket (see drawing on this page). See STEEL ROUND POLES and ALUMINUM ROUND POLES data sheets for pole ordering information.
- See Lifestyle Bracket ordering chart for Mounting Style/Configurations availability.
- 3" reduced drilling pattern required.
- For use with SA4 and SA5 mounting styles only.
- DIM and BLS cannot be ordered together.
- Fusing must be located in the hand hole of pole.

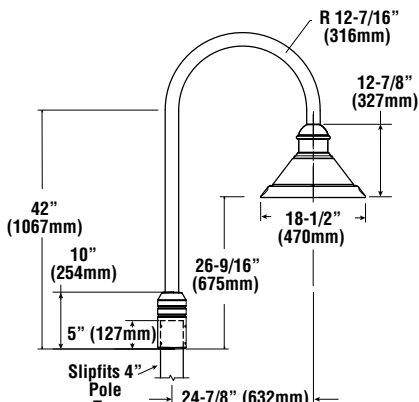
### DIMENSIONS



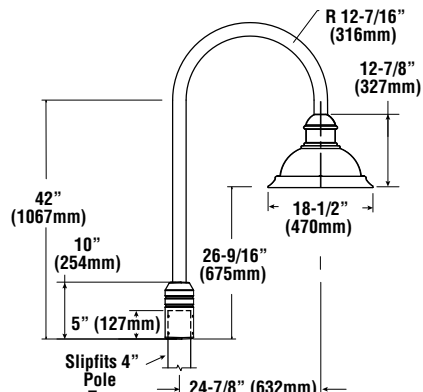
SIDE ARM (SA4 S) - ANGLE SHADE



SIDE ARM (SA4 S) - BELL SHADE

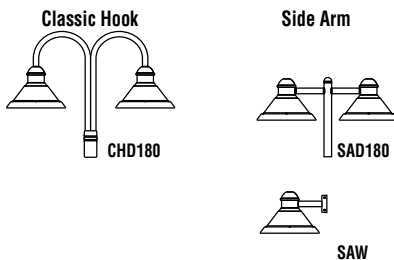


CLASSIC HOOK (CH S) - ANGLE SHADE



CLASSIC HOOK (CH S) - BELL SHADE

See Lifestyle Brackets and Mounts in outdoor section of latest Buyers Guide for details on other bracket sizes.



# LED LIFESTYLE SMALL DECORATIVE AREA LIGHTS (XDLS)

## BUG LISTING

### XDLS - TYPE 3

Drive Current	Color Temp.*	Lumens	Watts	LER	BUG Rating
HO	CW	9603	106.1	91	B2-U0-G2
SS	CW	7096	71.4	99	B1-U0-G1

### XDLS - TYPE 5

Drive Current	Color Temp.*	Lumens	Watts	LER	BUG Rating
HO	CW	8501	106	80	B3-U0-G1
	NW	7779	104	75	B3-U0-G1
SS	CW	6225	71	88	B3-U0-G1
	NW	5685	71	80	B2-U0-G1
	WW	5007	70	72	B2-U0-G1

### XDLS - TYPE FT

Drive Current	Color Temp.*	Lumens	Watts	LER	BUG Rating
HO	CW	8994	106	85	B1-U0-G2
	NW	7891	104	76	B1-U0-G2
SS	CW	6543	71	92	B1-U0-G2
	NW	5846	71	83	B1-U0-G2
	WW	5171	70	74	B1-U0-G1

\* Color Temperature: WW-3500K, NW-4000K, CW-5000K

