

LED AREA LIGHTS - LSI SLICE LARGE (XLCL)



US patent D726,947 7,828,456 8,002,428 8,177,386 8,434,893 8,567,983 and US & Int'l. patents pending

SMARTTEC™ - LSI drivers feature integral sensor which reduces drive current, when ambient temperatures exceed rated temperature.

ENERGY SAVING CONTROL OPTION - DIM - 0-10 volt dimming enabled. Available with integrated LSI Controls wireless modules.

LEDS - Select high-brightness LEDs in Cool White (5000K), or Neutral White (4000K) color temperature, 70 CRI.

DISTRIBUTION/PERFORMANCE - Types 3, 5, FT, FT-L, FT-R and FTA available. Type FTA available for single automotive front row design. FT-L and FT-R allow for D180 mounting configurations with factory set optics for applications such automotive front row. Exceptional uniformity creates bright environment at lower light levels.

HOUSING - One-piece, die-formed aluminum housing contains factory prewired driver in a gasketed, weather-resistant wiring compartment. Hinged wiring access door (with safety lanyard) located underneath. Fixture is IP65 rated.

OPTICAL UNIT - Clear tempered optical-grade flat glass lens permanently sealed to weather-tight aluminum optic frame (includes pressure-stabilizing breather).

MOUNTING - Tapered rear design allows fixtures to be mounted in 90° and 120° configurations. Use with 5" traditional drilling pattern. A round pole plate (RPP2) is required for mounting to round poles. Wall mount available by ordering wall mounting bracket (BKS-BO-WM-* -CLR). Mast Arm mounting available by ordering BKA-NM-MA-5-XLCL-CLR adaptor (for 2" pipe). See Accessories for all brackets.

ELECTRICAL - Two-stage surge protection (including separate surge protection built into electronic driver) meets IEEE C62.41.2-2002, Location Category C. Available with universal voltage power supply 120-277VAC (50/60Hz input) and 347-480 VAC. Optional twistlock photocell receptacle is available. Photocell must be ordered separately.

DRIVER - Available in SS (Super Saver) and HO (High Output) drive currents. Components are fully encased in potting material for moisture resistance. Driver complies with FCC standards. Driver and key electronic components can be easily accessed.

OPERATING TEMPERATURE - -40°C to +50°C (-40°F to +122°F)

FINISH - Fixtures are finished with LSI's DuraGrip® polyester powder coat finishing process. The DuraGrip finish withstands extreme weather changes without cracking or peeling. Available in black, bronze and white. Other standard LSI finishes available. Consult factory.

WARRANTY - LSI LED fixtures carry a limited 5-year warranty.

PHOTOMETRICS - Please visit our web site at www.lsi-industries.com for detailed photometric data.

SHIPPING WEIGHT (in carton) - 55 lbs./24.9Kg

LISTING - UL listed to US and international safety standards. Suitable for wet locations.

LIGHT OUTPUT - XLCL						
		Lumens (Nominal)				Watts (Nominal)
		Type 3	Type FT	Type 5	FTA	
Cool White	SS	45,800	49,500	50,700	51,300	435
	HO	53,400	57,300	59,200	59,100	542
Neutral White	SS	45,600	48,600	49,600	50,400	435
	HO	52,800	56,300	57,600	57,700	542

LED Chips are frequently updated therefore values may increase.

This product, or selected versions of this product, meet the standards listed below. Please consult factory for your specific requirements.



Fixtures comply with ANSI C136.31-2010 American National Standard for Roadway Lighting Equipment - Luminaire Vibration 1.5G requirements.



Project Name _____ Fixture Type _____

Catalog # _____

09/22/20

© 2020

LSI INDUSTRIES INC.

LED AREA LIGHTS - LSI SLICE LARGE (XLCL)

LUMINAIRE ORDERING INFORMATION

TYPICAL ORDER EXAMPLE: **XLCL FT LED HO CW UE WHT PCR**

Prefix	Distribution	Light Source	Drive Current	Color Temperature	Input Voltage	Finish	Options
XLCL	3 - Type III 5 - Type V FT - Forward Throw FT-L - Forward Optic Rotated for D180 Mount (Left Side) FT-R - Forward Optic Rotated for D180 Mount (Right Side) FTA - Forward Throw Automotive	LED	SS - Super Saver HO - High Output	CW - Cool White (5000K) NW - Neutral White (4000K)	UE - Universal Voltage (120-277V) 347-480 Universal Voltage (347-480V)	BLK - Black BRZ - Bronze WHT - White	DIM - 0-10V Dimming (from External Signal) PCR - Photoelectric Control Receptacle ¹

LUMINAIRE EPA CHART - XLCL

Beam Spread	EPA
Single	.7
D180°	1.4
D90°	1.1
T90°	2.3
TN120°	2.3
Q90°	2.6

Note: House Side Shield adds to fixture EPA. Consult Factory.

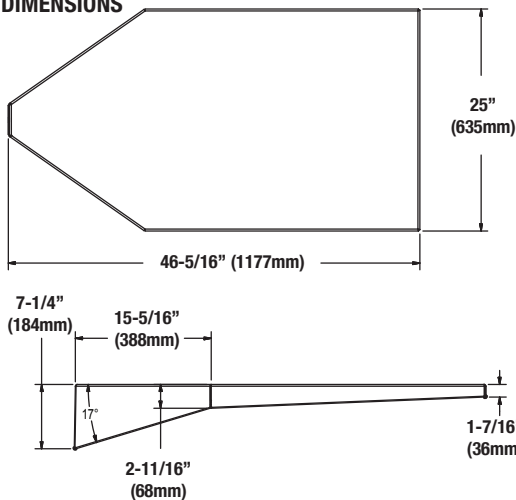
ACCESSORY ORDERING INFORMATION (Accessories are field installed)

Description	Order Number	Description	Order Number
BKS-BO-WM-* - CLR Wall Mount Plate	12311CLR	PC208-277 Photocell for use with PCR option (208V, 240V, 277V)	122515 ³
XLCL-3/FT-HSS RM - External House Side Shield (Black only - rear mounted)	610098BLK ²	PC347 Photocell for use with PCR option (347V)	159516 ³
XLCL-FT-L/FT-R-HSS SM - External House Side Shield (Black only - side mounted)	610100BLK ²	PC480 Photocell for use with PCR option (480V)	225180 ³
BKA-NM-MA-5-XLCL-CLR Mast Arm Adaptor	617865 CLR	FK120 - Single Fusing (120V)	FK120 ⁴
RPP2 - Round Pole Plate	162914CLR	FK277 - Single Fusing (277V)	FK277 ⁴
PC120 Photocell for use with PCR option (120V)	122514 ³	DFK208,240 - Double Fusing (208V, 240V)	DFK208,240 ⁴
		DFK480 Double Fusing (480V)	DFK480 ⁴
		FK347 Single Fusing (347V)	FK347 ⁴

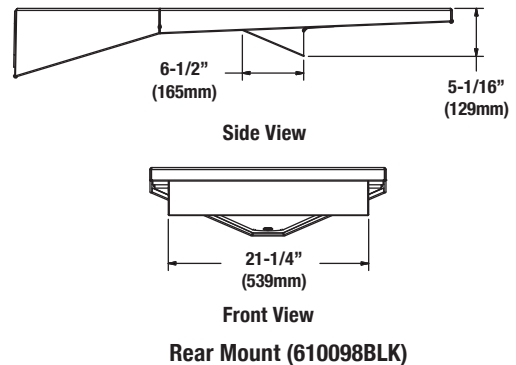
FOOTNOTES:

- 1- Photocell must be ordered separately. See Accessories.
- 2- House Side Shields add to fixture EPA. Consult factory.
- 3- Factory installed PCR option required. See Options.
- 4- Fusing must be located in hand hole of pole.
- 5- For wireless controls information and accessories, see Controls Section.

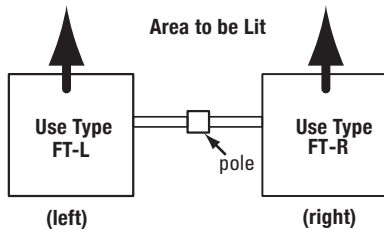
DIMENSIONS



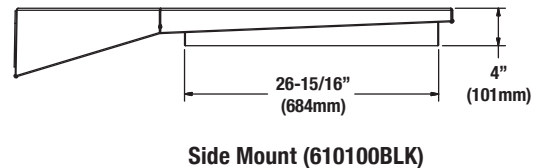
House Side Shields



LEFT AND RIGHT VERSIONS OF TYPE FT REFLECTORS (TOP VIEW)



Note: Optics are not field-rotatable. For D180 Forward Throw installations specify left (FT-L) and/or right (FT-R) side mounting. Orientation is based on standing at the pole and looking out at the area to be lit.



Side Mount (610100BLK)



LED AREA LIGHTS - LSI SLICE LARGE (XLCL)

BUG LISTING

XLCL - Type 3

Drive Current	Color Temp.*	Lumens	Watts	LER	BUG Rating
HO	CW	53,365	545	98	B5-U0-G4
	CW-HSS	36,015	543	66	B4-U0-G4
	NW	52,840	544	97	B5-U0-G4
	NW-HSS	35,358	543	65	B4-U0-G4
SS	CW	45,829	424	108	B5-U0-G4
	CW-HSS	31,300	427	73	B4-U0-G3
	NW	45,570	428	106	B5-U0-G4
	NW-HSS	30,512	429	71	B4-U0-G3

XLCL - Type FT-L

Drive Current	Color Temp.*	Lumens	Watts	LER	BUG Rating
HO	CW	58,144	545	107	B5-U0-G5
	CW-HSS	48,083	547	88	B5-U0-G5
	NW	57,001	544	105	B5-U0-G5
	NW-HSS	45,910	544	84	B5-U0-G5
SS	CW	49,913	435	115	B5-U0-G5
	CW-HSS	41,457	428	97	B5-U0-G5
	NW	48,751	434	112	B5-U0-G5
	NW-HSS	39,767	423	94	B5-U0-G5

XLCL - Type 5

Drive Current	Color Temp.*	Lumens	Watts	LER	BUG Rating
HO	CW	59,153	547	108	B5-U0-G4
	CW-HSS	36,076	544	66	B4-U0-G4
	NW	57,636	545	106	B5-U0-G4
	NW-HSS	35,681	544	66	B4-U0-G4
SS	CW	50,680	434	117	B5-U0-G4
	CW-HSS	31,200	427	73	B4-U0-G4
	NW	49,629	434	114	B5-U0-G4
	NW-HSS	29,657	422	70	B4-U0-G4

XLCL - Type FT-R

Drive Current	Color Temp.*	Lumens	Watts	LER	BUG Rating
HO	CW	58,144	545	107	B5-U0-G5
	CW-HSS	48,083	547	88	B5-U0-G5
	NW	57,001	544	105	B5-U0-G5
	NW-HSS	45,910	544	84	B5-U0-G5
SS	CW	49,913	435	115	B5-U0-G5
	CW-HSS	41,457	428	97	B5-U0-G5
	NW	48,751	434	112	B5-U0-G5
	NW-HSS	39,768	423	94	B5-U0-G5

* Color Temperature: NW-4000K, CW-5000K

XLCL - Type FTA

Drive Current	Color Temp.*	Lumens	Watts	LER	BUG Rating
HO	CW	59,061	533	111	B4-U0-G3
	CW-HSS	55,330	533	104	B4-U0-G3
	NW	57,718	533	108	B4-U0-G3
	NW-HSS	54,094	533	102	B4-U0-G3
SS	CW	51,332	429	120	B4-U0-G3
	CW-HSS	48,395	429	113	B4-U0-G3
	NW	50,417	429	117	B4-U0-G3
	NW-HSS	47,071	429	110	B4-U0-G2

XLCL - Type FT

Drive Current	Color Temp.*	Lumens	Watts	LER	BUG Rating
HO	CW	57,320	545	105	B4-U0-G5
	CW-HSS	41,895	544	77	B3-U0-G5
	NW	56,282	546	103	B4-U0-G5
	NW-HSS	41,730	544	77	B3-U0-G5
SS	CW	49,499	437	113	B4-U0-G5
	CW-HSS	37,097	427	87	B3-U0-G4
	NW	48,586	437	111	B4-U0-G5
	NW-HSS	35,457	425	83	B3-U0-G4

