

LED SOFFIT LIGHT (XSPS)



US patents 8,152,333 and US & Int'l. patents pending

EXPECTED LIFE - Minimum 60,000 hours to 100,000 hours depending upon the ambient temperature of the installation location. See LSI web site for specific guidance.

LEDS - Select high-brightness LEDs. Cool White 5000K color temperature, 70 CRI.

DRIVER CURRENT - Super saver (SS) - most economical and highest lumens per watt or High Output (HO) - highest output per initial dollar.

DISTRIBUTION/PERFORMANCE - Type S (Symmetric). Excellent uniformity with Bug rating of B2-UO-G1. Diffused lens is standard to reduce visibility of diodes.

HOUSING/OPTICAL UNIT - Housing is die-formed aluminum with tempered glass lens providing a water-resistant seal. Die-formed aluminum enclosure contains factory prewired driver and optical unit containing LEDs.

MOUNTING - Direct mounts with screws through the mounting frame is standard. 8" clearance required for ease of installation.

ELECTRICAL - Universal frequency power supply (50/60 Hz). Supply voltage must be specified for pre-wired thermal protectors.

DRIVER - State-of-the-art driver technology designed specifically for LSI LED light sources provides unsurpassed system efficiency. Driver will operate with input of 120/208/240/277V (50/60 Hz). Components are fully encased in potting material for moisture resistance. Driver complies with IEC and FCC standards. 0-10 V dimming supplied standard with all drive currents. 0-10V dimming driver supplied standard.

OPERATING TEMPERATURE - -40°C to +40°C (-40°F to +104°F). Preliminary.

FINISH - Each fixture is finished with LSI's DuraGrip® polyester powder coat finishing process. The DuraGrip finish withstands extreme weather changes without cracking or peeling, and is guaranteed for five full years. Standard color is gloss white.

WARRANTY - LSI LED fixtures carry a limited 5-year warranty.

PHOTOMETRICS - Please visit our web site at www.lsi-industries.com for detailed photometric data.

LISTING - Listed to U.S. safety standards. Suitable for damp locations.

SHIPPING WEIGHT - 6 lbs.

LIGHT OUTPUT - XSPS				
	Diffused Lens	Lumens	Watts	LPW
Type S	SS - Super Saver	4,541	43	104
	HO - High Output	5,631	59	96

LED Chips are frequently updated therefore values may increase.

This product, or selected versions of this product, meet the standards listed below. Please consult factory for your specific requirements.



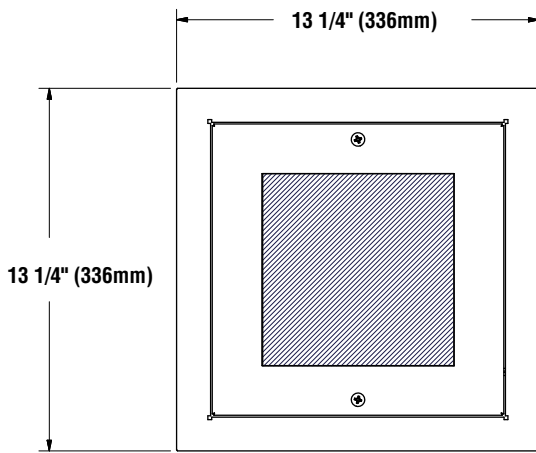
LED SOFFIT LIGHT (XSPS)

PRODUCT ORDERING INFORMATION

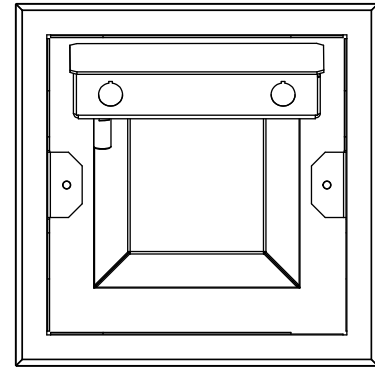
TYPICAL ORDER EXAMPLE: **XSPS S LED SS CW 120 GWT DFL**

Prefix	Distribution	Light Source	Drive Current	Color Temperature	Input Voltage	Finish	Lens
XSPS - LED Soffit	S - Symmetric	LED	HO - High Output SS - Super Saver	CW - Cool White (5000K)	120 208 240 277	GWT - Gloss White	DFL

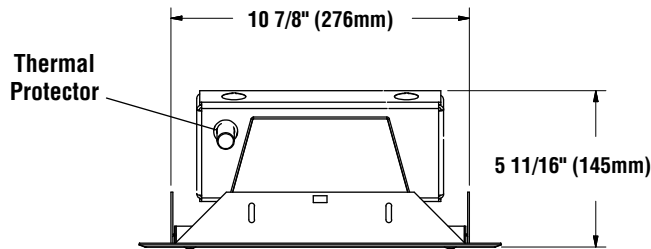
DIMENSIONS



BOTTOM



TOP



SIDE

8" Clearance Required

