



DISPENSERS



FUEL KITS



PUMPS



METERS



NOZZLES



FILTRATION

SELF 3000

FEATURES

- MANUAL
- VERSATILE
- HIGH EFFICIENCY
- LEVER PROTECTION

The PIUSI SELF 3000 manual nozzles perform the maximum efficiency thanks to the low-flow resistance and the wide range of applications including transfer systems run by gravity. They are supplied with removable lever protection and connectors.

PERFORMANCE

UP TO
40 GPM

FLOW RATE

1"
SPOUT OD Ø

SELF 3000



SELF 3000 DIESEL/GASOLINE



PACKAGING

PART #	WEIGHT		PACKAGING			N. BOXES / EUROPALLET	
	KG	LBS	MM	INCH	PCS/BOX	✈	🚚
00065100A	0.7	1.5	400X250X200	16X11X7.8	1	-	-
00065101A	0.7	1.5	400X250X200	16X11X7.8	1	-	-



FLUID MONITORING



AIR



ANTIFREEZE



DEF



BIODIESEL



DIESEL



FOOD



GASOLINE



GREASE



KEROSENE



OIL



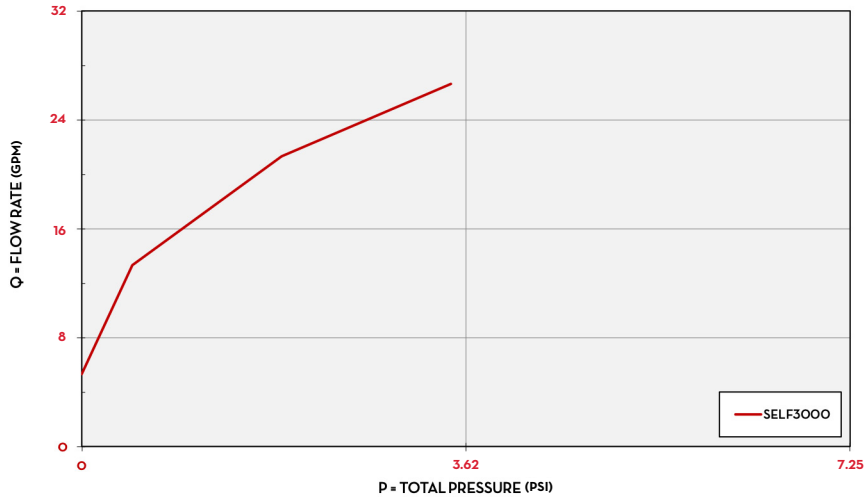
WATER



WINDSCREEN

CHART

SELF 3000



TYPE OF FLUID	DIESEL
TEMPERATURE	64 °F

IN THE BOX

- SELF 3000 NOZZLE
- INSTRUCTION MANUAL

DETAILS

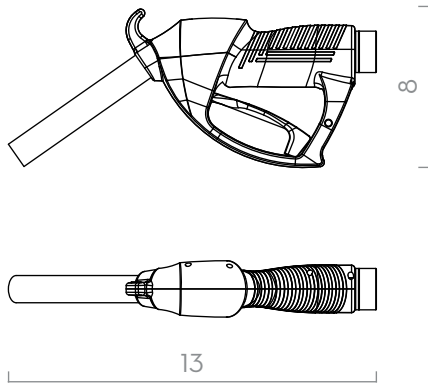


LEVER PROTECTION



ROTATING SWIVEL

DIMENSIONS



Dimensions expressed in inches

MATERIALS

- BODY: ALUMINUM
- SEAL: VITON

TECHNICAL DATA

PART #	DESCRIPTION	FLUIDS TYPE	FLOW RATE		INLET		SPOUT
			L/MIN	GPM	SWIVEL	Ø NPT	EXT. Ø IN
00065100A	SELF 3000 FUEL NOZZLE 1" NPT-F 3/4" SPOUT		150	40	FEMALE	1"	3/4"
00065101A	SELF 3000 FUEL NOZZLE 1" NPT-F 1" SPOUT		150	40	FEMALE	1"	1"

SELF 3000