



LUBE KITS



PUMPS



METERS



METERED NOZZLES



NOZZLES



FILTRATION

MA 130

FEATURES

- IN/OUT INTERCHANGEABLE
- HIGHLY DURABLE DIAPHRAGM
- BUILT-IN DIFFUSER
- SUITABLE FOR IMMERSED INSTALLATIONS
- HEAVY-DUTY
- EXPLOSION PROOF (EX ZONE 2)
- STURDY DESIGN

The Piusi MA130 is a pneumatic diaphragm pump suitable for transferring high viscosity fluids and waste oils. Thanks to its small size this pumps is easy to fit in any working environment.

PERFORMANCE

up to

13 GPM

FLOW RATE

16.4 FT

max capacity
SELF-PRIMING

max

100 PSI

AIR PRESSURE

max

Ø 0.15"

PASSING SOLID



MA 130



PACKAGING

PART #	WEIGHT		PACKAGING			
	KG	LBS	MM	INCH	PCS/PALLET	PCS/BOX
FOO208A30	4	8.8	220X310X320	8.7X12.2X12.6	-	1



FLUID MONITORING



HOSE REELS



AIR



ANTIFREEZE



DEF



BIODIESEL



DIESEL



FOOD



GASOLINE



GREASE



KEROSENE



OIL

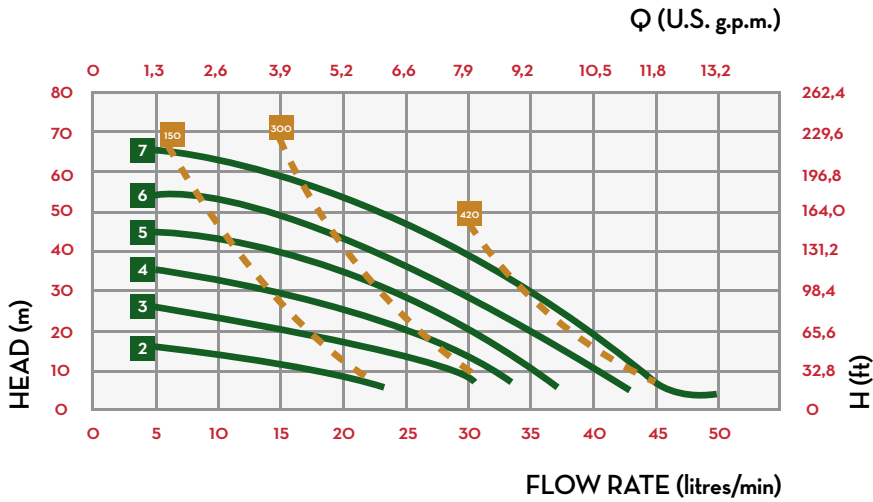


WATER



WINDSCREEN

CHARTS



IN THE BOX

- MA PUMP
- INSTRUCTION MANUAL

DETAILS



HEAVY-DUTY MATERIALS



TECHNOPOLYMER BODY

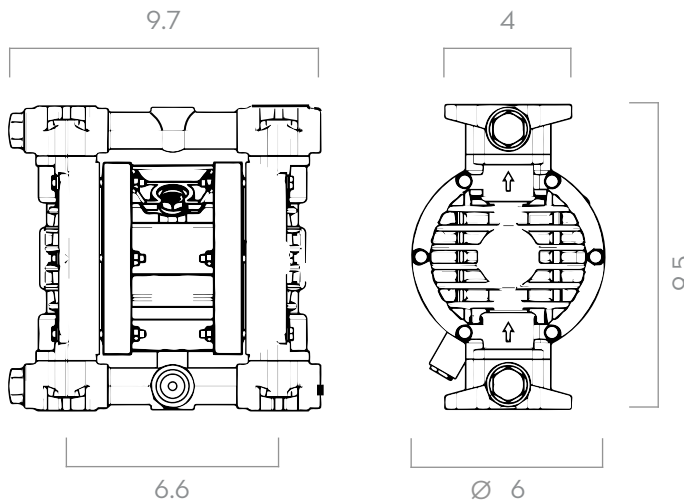


EASY TO FIT

MATERIALS

- BODY: TECHNOPOLYMER
- FITTINGS: ALUMINUM
- DIAPHRAGMS: TECHNOPOLYMER

DIMENSIONS



Measures expressed in inches

TECHNICAL DATA

PART #	DESCRIPTION	FLUIDS TYPE	PUMP BODY	IN / OUT	FLOW RATE GPM	MEMBRANE TYPE	DIAPHRAGM	BALLS	BALL SEATS*	O-RING*	INTAKE / DELIVERY CONNECTION	AIR CONNECTION	MAX SELF-PRIMING CAPACITY	MAX HEAD**	MAX AIR SUPPLY PRESSURE	MAX Ø OF PASSING SOLID
													FT	FT	PSI	IN
FOO208A30	MA130 DOUBLE DIAPHRAGM AIR PUMP 13GPM		ALUMINUM	1/2" NPT	13	DOUBLE	NBR	NBR	ALUMINUM	NBR	1/2" NPT	3/8" NPT F	16.4	230	100	0.15"

(*) ON REQUEST WE CAN PROVIDE MEMBRANES, BALLS, BALL SEATS AND O-RINGS IN DIFFERENT MATERIALS.
 (***) THE VALUE DEPENDS ON THE CONFIGURATION OF THE PUMP

MA 130