



DISPENSERS



PUMPS



METERS



METERED NOZZLES



NOZZLES

# MP 140

## FEATURES

- IN/OUT INTERCHANGEABLE
- BUILT-IN DIFFUSER
- SUITABLE FOR SUBMERSIBLE INSTALLATION
- HEAVY DUTY
- EASY TO FIT
- STURDY DESIGN

The Piusi MP 140 is a long-lasting pneumatic diaphragm pump suitable for transferring DEF. The small size of this pump allows a wide range of installations, even in severe duty conditions.



## PERFORMANCE

UP TO

**26 GPM**

FLOW RATE

MAX CAPACITY

**20 FT**

SELF-PRIMING

MAX

**101 PSI**

AIR SUPPLY

PRESSURE

MAX

**Ø 0.16"**

PASSING SOLID



MP140

## PACKAGING

| PART #    | WEIGHT |     | PACKAGING   |             |         |
|-----------|--------|-----|-------------|-------------|---------|
|           | KG     | LBS | MM          | INCH        | PCS/BOX |
| FOO208P50 | 5      | 11  | 240X380X350 | 9.4X15X13.8 | 1       |



FILTRATION



FLUID MONITORING



HOSE REELS



ACCESSORIES



AIR



ANTIFREEZE



DEF



BIODIESEL



DIESEL



FOOD



GASOLINE



GREASE



KEROSENE



OIL

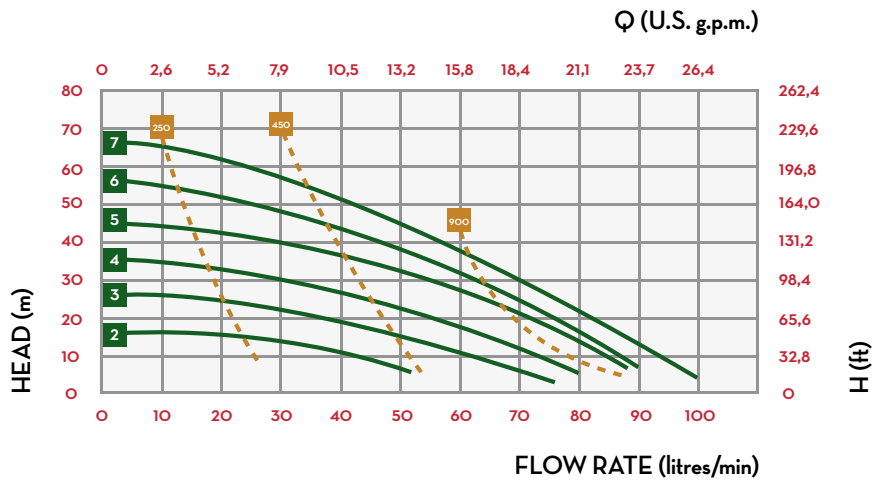


WATER



WINDSCREEN

## CHARTS



## IN THE BOX

- MP PUMP
- INSTRUCTION MANUAL

## DETAILS



HEAVY DUTY MATERIALS



TECHNOPOLYMER BODY

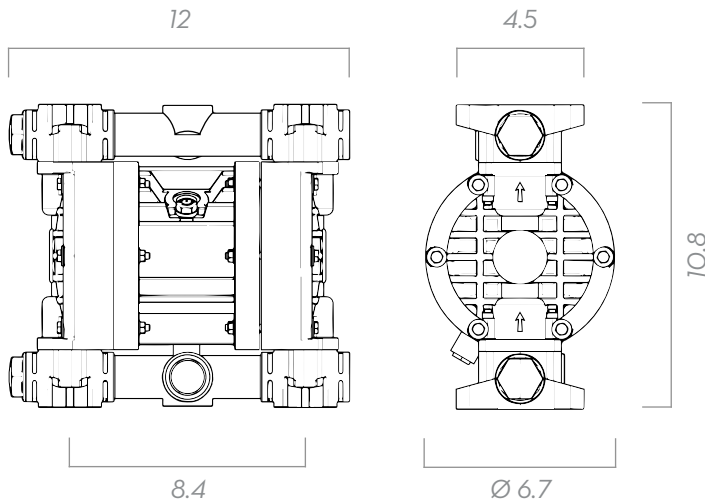


STURDY DESIGN

## MATERIALS

- BODY: TECHNOPOLYMER
- SIDE PARTS AND COLLECTORS: POLYPROPYLENE
- DIAPHRAGM: EPDM

## DIMENSIONS



Dimensions expressed in inches

## TECHNICAL DATA

| PART #    | DESCRIPTION                          | FLUIDS TYPE | PUMP BODY     | IN / OUT<br>NPT | FLOW RATE<br>GPM | MEMBRANE TYPE | DIAPHRAGM AIR SIDE / FLUID SIDE | BALLS | BALL SEATS*   | O-RING* | INTAKE / DELIVERY CONNECTION | AIR CONNECTION | MAX SELF-PRIMING CAPACITY | MAX HEAD** | MAX AIR SUPPLY PRESSURE | MAX Ø OF PASSING SOLID |
|-----------|--------------------------------------|-------------|---------------|-----------------|------------------|---------------|---------------------------------|-------|---------------|---------|------------------------------|----------------|---------------------------|------------|-------------------------|------------------------|
|           |                                      |             |               |                 |                  |               |                                 |       |               |         |                              |                | FT                        | FT         | PSI                     | IN                     |
| FOO208P50 | MP140 DD AIR-OPERATED DEF PUMP 26GPM |             | POLYPROPYLENE | 1"              | 26               | DOUBLE        | PTFE / HYTREL                   | PTFE  | POLYPROPYLENE | PTFE    | G 1" F                       | G 3/8" F       | 20                        | 230        | 101                     | 0.16                   |

(\*) ON REQUEST WE CAN PROVIDE MEMBRANES, BALLS, BALL SEATS AND O-RINGS IN DIFFERENT MATERIALS.  
 (\*\*\*) THE VALUE DEPENDS ON THE CONFIGURATION OF THE PUMP