



DISPENSERS



FUEL KITS



PUMPS



METERS



NOZZLE



FILTRATION

# BIPUMP

## FEATURES

- STURDY STRUCTURE
- COMPACT DESIGN
- HEAVY DUTY
- HIGH RELIABILITY
- IP55 PROTECTION RATING

The PIUSI BIPUMP is a diesel transfer pump, available both in 12 and 24 V versions, designed to meet the needs of those who are looking for a long-lasting, durable, high flow-rate pump, applicable to different industries. It is easy to install and is suitable for being applied on diesel dispensers and fixed fuel transfer systems, as well as other applications.

## PERFORMANCE

UP TO

**25 GPM**

FLOW RATE

**12/24V**

VOLTAGE

POWER

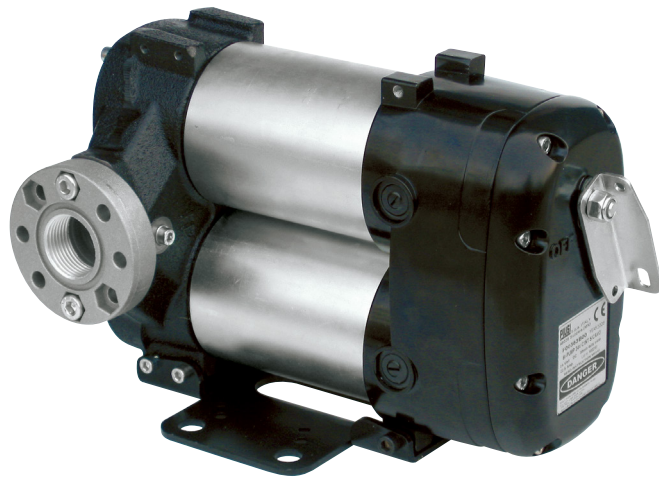
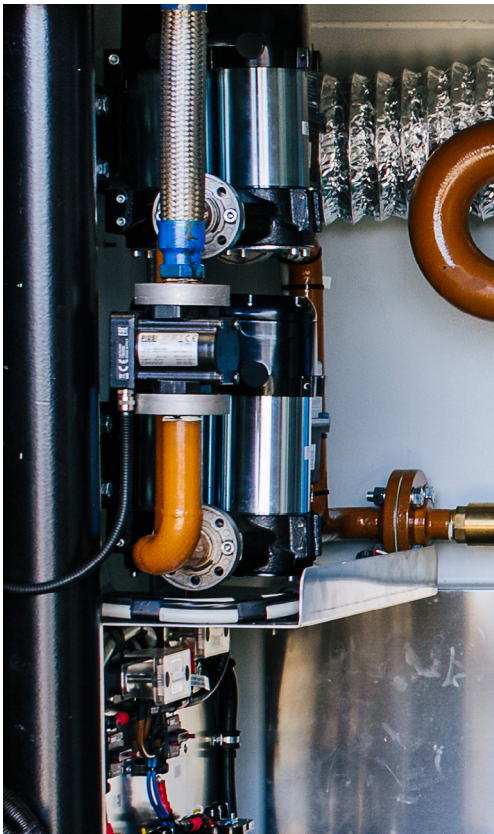
**30 MIN**

ON & OFF

DUTY CYCLE



BIPUMP KIT



BIPUMP

## PACKAGING

PART #	WEIGHT		PACKAGING			N. BOXES / EUROPALLET	
	KG	LBS	MM	INCH	PCS/BOX	✈	🚚
FO022220A	11.3	25	345X175X255	13.5X7X10	1	60	72
FO036305A	9.9	21.8	345X175X255	13.5X7X10	1	60	72
FO036306A	9.9	21.8	345X175X255	13.5X7X10	1	60	72



FLUID MONITORING



AIR



ANTIFREEZE



DEF



BIODIESEL



DIESEL



FOOD



GASOLINE



GREASE



KEROSENE



OIL

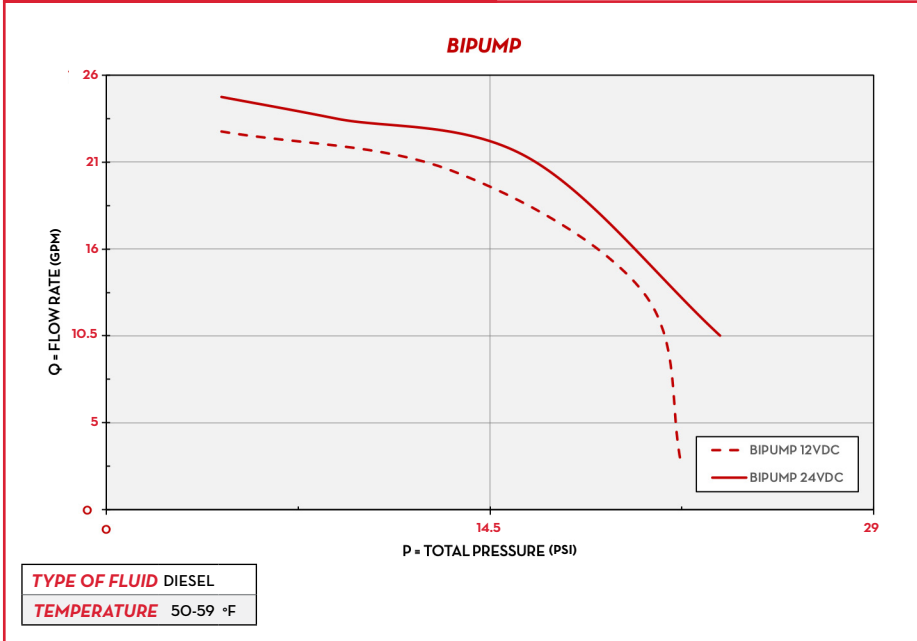


WATER



WINDSCREEN

## CHART



## IN THE BOX

- BIPUMP UNIT
- FLANGED CONNECTIONS
- INSTRUCTION MANUAL
- A120 AUTO-NOZZLE (KIT ONLY)
- 13 FT. DELIVERY HOSE (IT ONLY)
- TELESCOPIC DOWNTUBE
- TANK CONNECTOR

## DETAILS

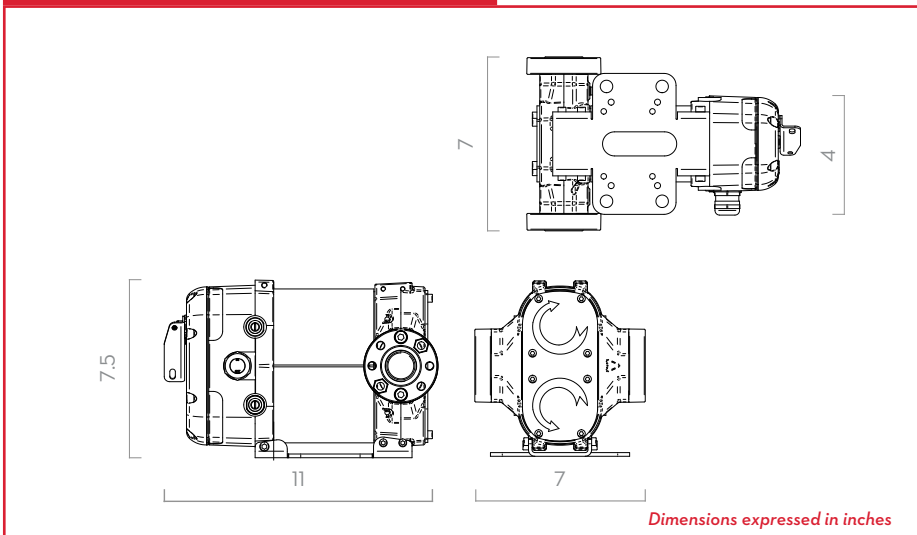


ON/OFF SWITCH



FLANGED CONNECTIONS

## DIMENSIONS



PUMP

- > MAX 6M (20FT),
- > SUCTION HOSE Ø 1" MIN,
- > MAX SUCTION HEIGHT:
  - 2M (7FT) W/O NON RETURN VALVE
  - 4M (14FT) W NON RETURN VALVE



TANK

## MATERIALS

- BODY: CAST IRON
- ROTOR: SINTERED STEEL
- VANES: ACETAL RESIN
- SEAL: NBR
- SHAFT: STEEL
- NOZZLE (KIT ONLY): A120

PG. 86

## TECHNICAL DATA

PART #	DESCRIPTION	FLUIDS TYPE	FLOW RATE		VOLTAGE			DUTY CYCLE	RPM	INLET
			L/MIN	GPM	DC VOLT	POWER WATT	AMP. MAX.	MINUTES		NPT
FO022220A	BI-PUMP KIT 12V 25GPM (AUTO NOZZLE) NPT	D	95	25	12	500	42	30 ON/OFF	2000	1"
FO036305A	BI-PUMP 12V 25GPM (PUMP ONLY)	D	95	25	12	500	42	30 ON/OFF	2000	1"
FO036306A	BI-PUMP 24V 25GPM (PUMP ONLY)	D	95	25	24	500	22	30 ON/OFF	2000	1"