



DISPENSERS



FUEL KITS



PUMPS



METERS



NOZZLE



FILTRATION

E120

FEATURES

- VERSATILITY
- STURDY STRUCTURE
- DURABLE
- READY TO USE
- THERMAL PROTECTION

The PIUSI E120 is a self-priming rotary electric vane pumps, compact and easy to install, suitable to meet all those use requirements needing a high-performance and durable product. Its sturdy structure along with the thermal protection and the top-quality components allow its use at low working temperatures.

PERFORMANCE

UP TO

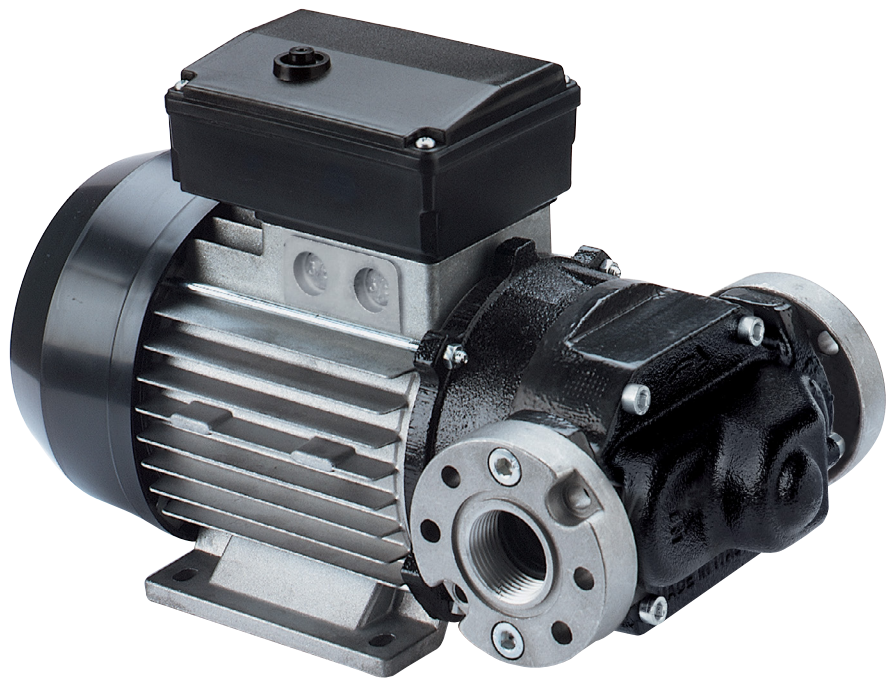
30 GPM

FLOW RATE

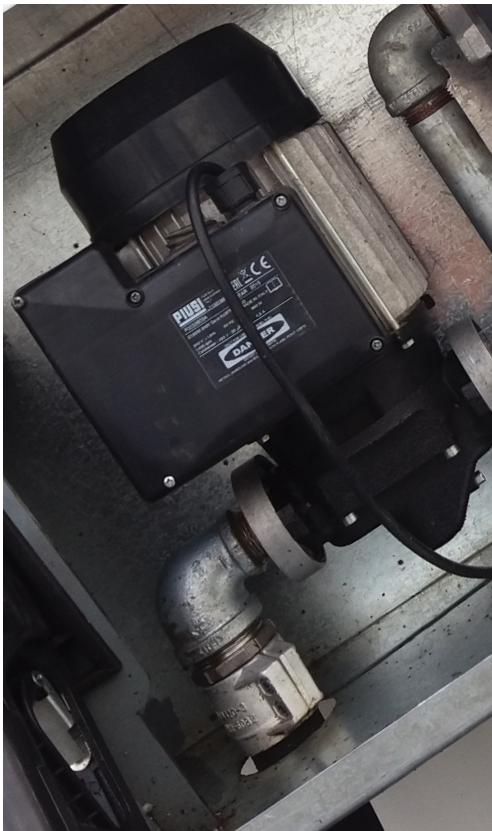
AC

CONTINUOUS DUTY

POWER



E120



PACKAGING

PART #	WEIGHT		PACKAGING			N. BOXES / EUROPALLET	
	KG	LBS	MM	INCH	PCS/BOX	✈	🚚
FO032701B	15.6	35	355X185X285	13X7X11	1	60	84



FLUID MONITORING



AIR



ANTIFREEZE



DEF



BIODIESEL



DIESEL



FOOD



GASOLINE



GREASE



KEROSENE



OIL

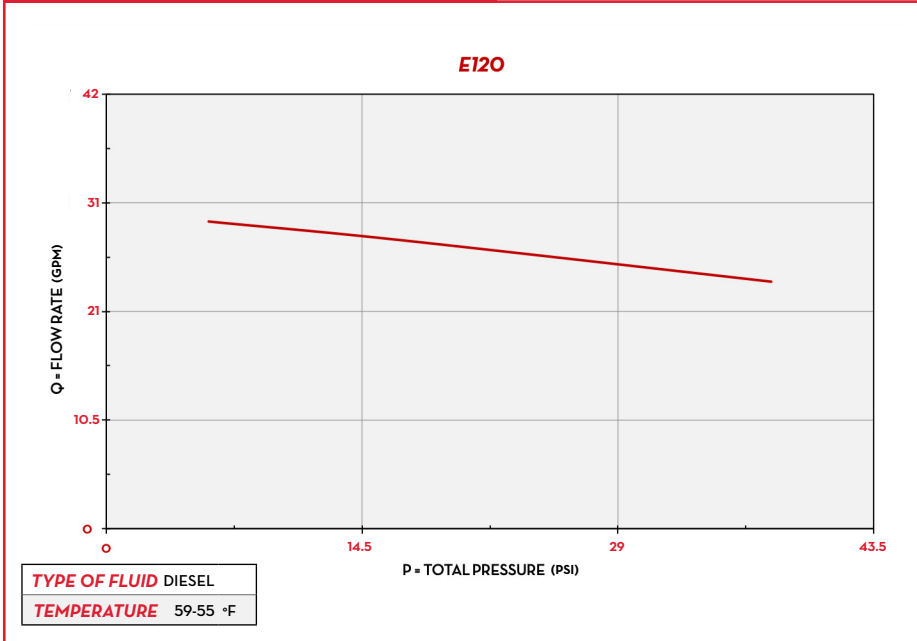


WATER



WINDSCREEN

CHART



IN THE BOX

- E120 PUMP
- FLANGED CONNECTION
- INSTRUCTION MANUAL

DETAILS

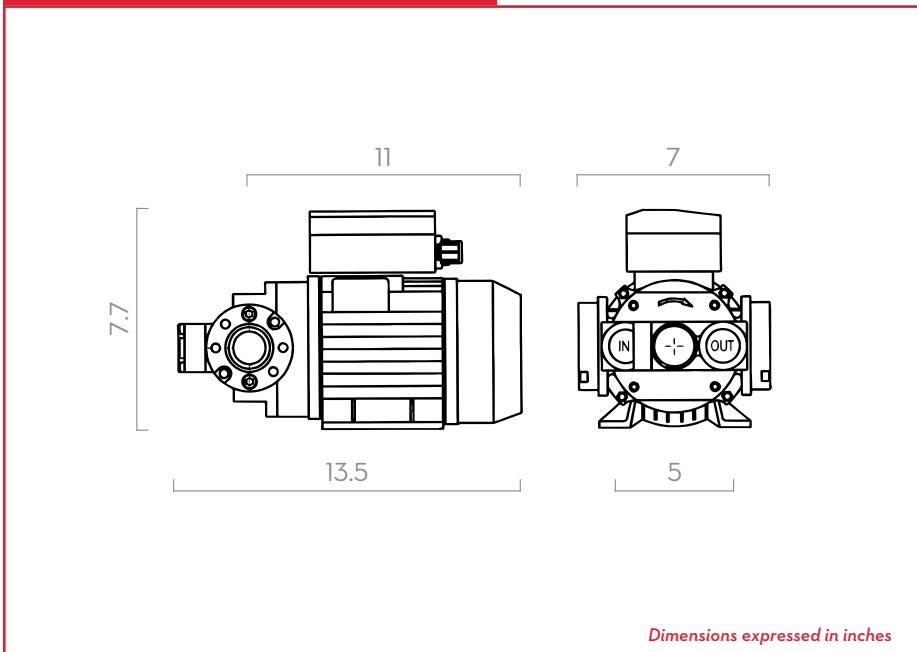


VANE ROTOR



FLANGED CONNECTION

DIMENSIONS



MATERIALS

- BODY: CAST IRON
- ROTOR: SINTERED STEEL
- VANES: ACETAL RESIN
- SEAL: VITON
- SHAFT: STEEL



PUMP



TANK

- > MAX 6M (20FT),
- > SUCTION HOSE Ø 1" MIN,
- > MAX SUCTION HEIGHT:
 - 2M (7FT) W/O NON RETURN VALVE
 - 4M (14FT) W NON RETURN VALVE

TECHNICAL DATA

PART #	DESCRIPTION	FLUIDS TYPE	FLOW RATE		VOLTAGE				RPM	INLET OUTLET		FLANGE CONNECTION	BYPASS VALVE	INLET FILTER
			L/MIN	GPM	SINGLEPHASE MOTOR V./HZ	THREEPHASE MOTOR V./HZ	POWER WATT	AMP. MAX.		NPT				
FOO32701B	E120 110V/60HZ 30GPM (PUMP ONLY)	D	113.5	30	120/60	-	1150	12	1750	1"	YES	YES	NO	

E120