



LUBE KITS



PUMPS



METERS



METERED NOZZLES



NOZZLES



FILTRATION

VISCOMAT VANE

FEATURES

- ADJUSTABLE BYPASS
- MULTI-PURPOSE PUMP
- SUITABLE TO TRANSFER WASTE OILS

The Piusi VISCOMAT VANE is an electric vane pump suitable for transferring low and medium viscosity fluids. The pump is equipped with a built-in adjustable bypass.

PERFORMANCE

up to

500

cSt

VISCOSITY

up to

7 GPM

FLOW RATE

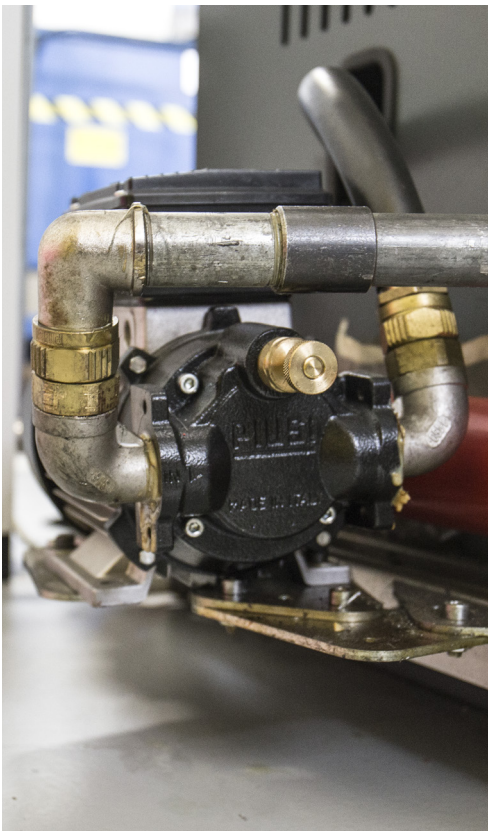
BELOW

77 DB

NOISE LEVEL**



VISCOMAT VANE



PACKAGING

PART #	WEIGHT		PACKAGING				
	KG	LBS	MM	INCH	PCS/PALLET	PCS/BOX	
FO033991C	14.15	31.1	355X185X285	14X8X11	60	72	1



FLUID MONITORING



HOSE REELS



AIR



ANTIFREEZE



DEF



BIODIESEL



DIESEL



FOOD



GASOLINE



GREASE



KEROSENE



OIL



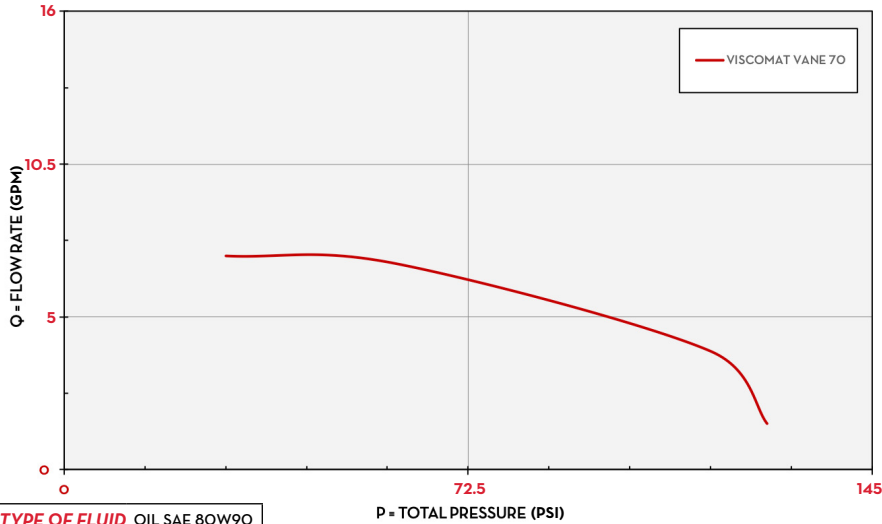
WATER



WINDSCREEN

CHARTS

VISCOMAT VANE



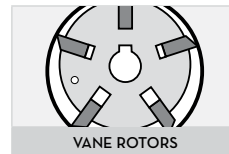
TYPE OF FLUID OIL SAE 80W90
TEMPERATURE 63°F

P = TOTAL PRESSURE (PSI)

IN THE BOX

- VISCOMAT VANE PUMP
- INSTRUCTION MANUAL

DETAILS



VANE ROTORS

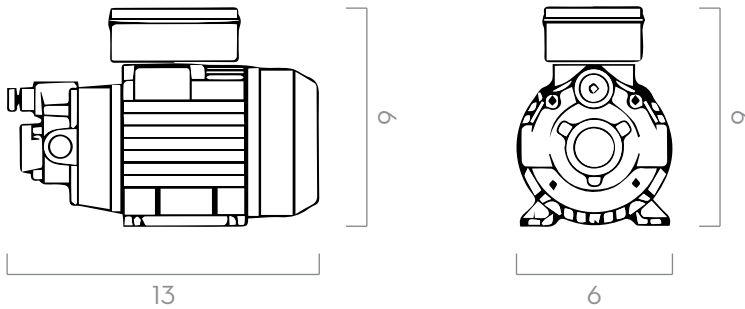


ON/OFF SWITCH



ADJUSTABLE BYPASS

DIMENSIONS



Measures expressed in inches

MATERIALS

- BODY: CAST IRON
- ROTOR: SINTERED STEEL
- VANES: TECHNOPYLIMER
- SHAFT: STEEL

TECHNICAL DATA

PART #	DESCRIPTION	FLUIDS TYPE	FLOW RATE		WORKING PRESSURE		VOLTAGE				RPM	INLET OUTLET NPT	BYPASS VALVE
			L/MIN	GPM	BAR	PSI	SINGLEPHASE MOTOR V/Hz	THREEPHASE MOTOR V/Hz	POWER WATT	AMP. MAX			
FOO33991C	VISCOMAT 70 - 44 PSI - 120V/60HZ 7GPM		25	7	3	44	120/60	-	850	10	1700	1" NPT	YES

UPON REQUEST IT IS AVAILABLE WITH DIFFERENT VOLTAGE AND FREQUENCY - (*) WITHOUT ADJUSTABLE BYPASS VALVE

VISCOMAT VANE