



DISPENSERS



FUEL KITS



PUMPS



METERS



NOZZLE



FILTRATION

K24

FEATURES

- BURSTING PRESSURE 1450 PSI
- LCD DISPLAY
- FLOW-RATE INDICATION
- EASY TO CALIBRATE

The PIUSI K24 is a turbine digital flow meter specifically designed for diesel. Easy to install in-line or at the end of a delivery pipe, it is equipped with a rotatable display. This meter is available both with aluminum or technopolymer body.

PERFORMANCE

2-32

GPM

FLOW RATE

300 PSI

MAX OPERATING

PRESSURE

± 1%

ACCURACY

0.2%

REPEATIBILITY



K24



PACKAGING

PART #	WEIGHT		PACKAGING		
	KG	LBS	MM	INCH	PCS/BOX
FOO40802A	0.5	1.1	BLISTER	BLISTER	1
FOO40801A	0.5	1.1	BLISTER	BLISTER	1



FLUID MONITORING



AIR



ANTIFREEZE



DEF



BIODIESEL



DIESEL



FOOD



GASOLINE



GREASE



KEROSENE



OIL

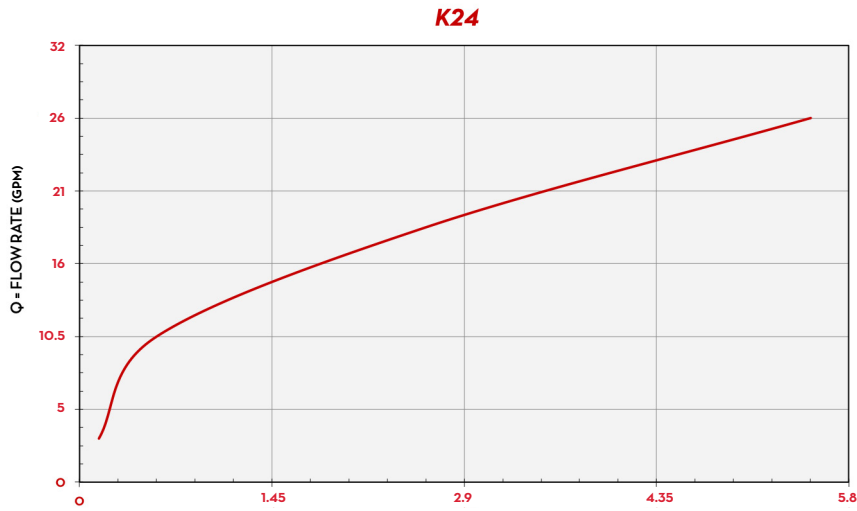


WATER



WINDSCREEN

CHART



TYPE OF FLUID DIESEL

TEMPERATURE 61 °F

P - TOTAL PRESSURE (PSI)

IN THE BOX

- K24 UNIT
- INSTRUCTION MANUAL
- SOCKET F/F

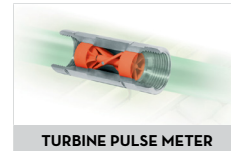
DETAILS



ROTABLE DISPLAY



BI-DIRECTIONAL

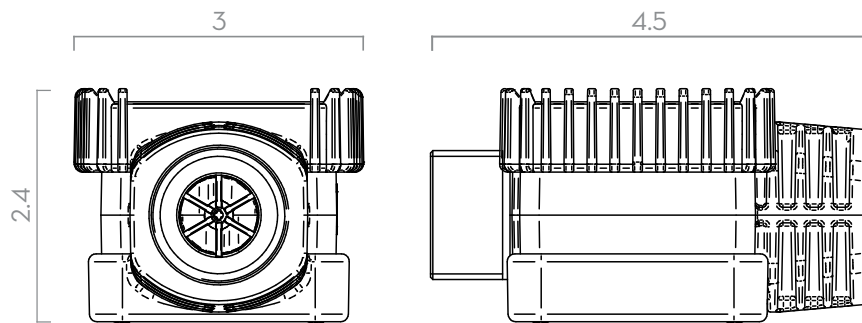


TURBINE PULSE METER



SOCKET F/F

DIMENSIONS



Dimensions expressed in inches

MATERIALS

- BODY: ALUMINUM
- GEARS: TECHNOPOLYMER

TECHNICAL DATA

PART #	DESCRIPTION	FLUIDS TYPE	FLOW RATE		PRESSURE		BATTERY 2X AAA BATTERY 1.5V (INCLUDED)	FLANGE	INLET / OUTLET
			L/MIN	GPM	BAR	PSI			
FOO40802A	K24-A FUEL METER 2-32GPM 1"NPT-M/F		7 - 120	2 - 32	20	300	YES	NO	M 1" NPT - M 1" NPT
FOO40801A	K24-O FUEL METER 2-30GPM 1"NPT-M/F		7 - 113	2 - 30	20	300	YES	NO	M 1" NPT - F 1" NPT

UPON REQUEST AVAILABLE IN BSP VERSION AND DISPLAY IN LITER
*N° 2X1,5V BATTERY INCLUDED

K24