



LUBE KITS



PUMPS



METERS



METERED NOZZLES



NOZZLES



FILTRATION

K600 B/3

FEATURES

- EASY-TO-READ BIG DISPLAY
- SWIVEL DISPLAY
- STANDARD BATTERY
- PULSE-OUT VERSION AVAILABLE
- ADJUSTABLE FLANGES
- AA STANDARD BATTERY

The Piusi K600 B/3 is an oval gear meter suitable for monitoring the delivery of low, medium and high viscosity oils. This special version includes a large built-in digital display.

PERFORMANCE

up to
15.8 GPM
(26.4 GPM for diesel)
FLOW RATE

± 0.5 %
ACCURACY

0.2%
REPEATABILITY

less than
7.25 PSI
LOSS OF PRESSURE



K600 B/3

K600 B/3 PULSE-OUT

PACKAGING

PART #	WEIGHT		PACKAGING			
	KG	LBS	MM	INCH	PCS/PALLET	PCS/BOX
METERS						
FOO491040	2	4.4	200X120X140	7.9X4.7X5.5	-	1
FOO491050	2	4.4	200X120X140	7.9X4.7X5.5	-	1
PULSE OUT METER						
FOO492020	2	4.4	200X120X140	7.9X4.7X5.5	-	1
FOO492030	2	4.4	200X120X140	7.9X4.7X5.5	-	1



FLUID MONITORING



HOSE REELS



AIR



ANTIFREEZE



DEF



BIODIESEL



DIESEL



FOOD



GASOLINE



GREASE



KEROSENE



OIL

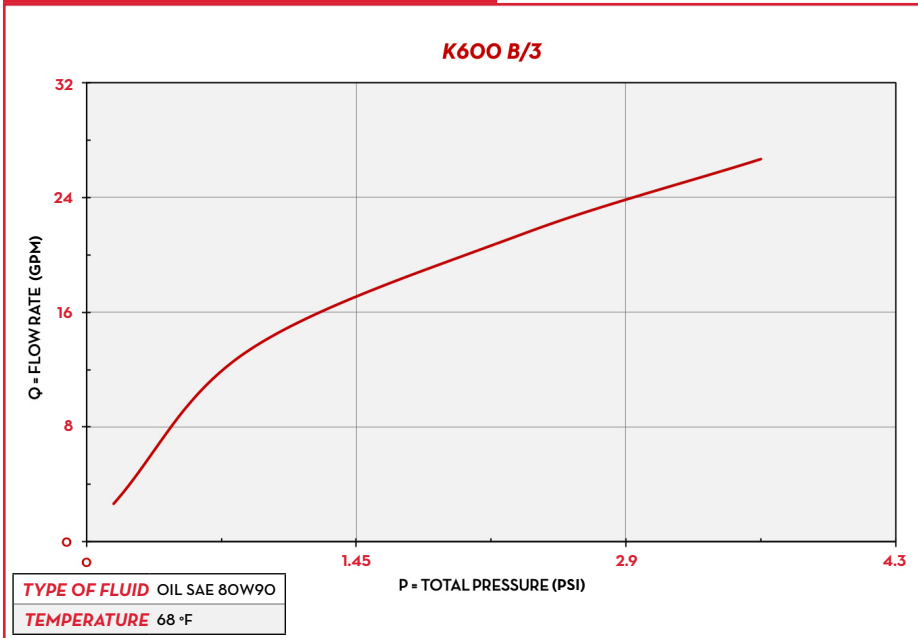


WATER



WINDSCREEN

CHARTS



IN THE BOX

- K600 B/3 METER
- INSTRUCTION MANUAL

DETAILS



RESET BUTTON

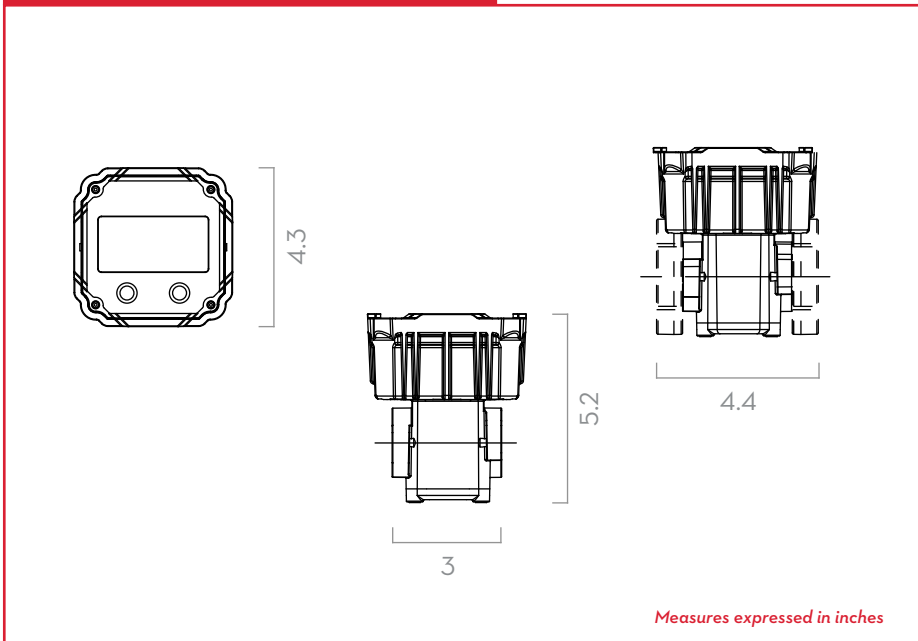


BIG DISPLAY



OVAL GEAR

DIMENSIONS



MATERIALS

- BODY: ALUMINUM
- GEARS: TECHNOPOLYMER

TECHNICAL DATA

PART #	DESCRIPTION	FLUIDS TYPE	FLOW RATE		WORKING PRESSURE		BATTERY INCLUDED NO. 2 2X1.5V	FLANGE	INLET OUTLET	INLET FILTER
			L/MIN	GPM	BAR	PSI				
METERS										
FOO491040	K600B/3 DIESEL METER 2-26GPM 1" NPT	D	10 - 100	2.64 - 26.4	30	426	YES	YES	1" NPT	YES
FOO491050	K600B/3 OIL METER 1.5-16GPM 3/4" NPT	O	6 - 60	1.58 - 1.58	70	994	YES	YES	3/4" NPT	YES
PULSE OUT METER										
FOO492020	K600B/3 DIESEL PULSER 2-26GPM 1" NPT	D	10 - 100	2.64 - 26.4	30	426	YES	YES	1" NPT	YES
FOO492030	K600B/3 OIL PULSER 1.5-16GPM 3/4" NPT	O	6 - 60	1.58 - 1.58	70	994	YES	YES	3/4" NPT	YES

UPON REQUEST AVAILABLE IN BSP VERSION AND DISPLAY IN LITER

K600 B/3