



LUBE KITS



PUMPS



METERS



METERED NOZZLES



NOZZLES



FILTRATION

K600/3

FEATURES

- ADJUSTABLE FLANGES
- EXTREMELY ACCURATE
- SUITABLE FOR INDUSTRIAL APPLICATIONS
- IDEAL FOR MOBILE INSTALLATIONS
- LOW ENERGY CONSUMPTIONS

The Piusi K600/3 is an oval gear meter suitable for monitoring the delivery of low, medium and high viscosity oils. The meter is equipped with an integrated filter and it is available also in pulser version.

PERFORMANCE

up to

15.8 GPM

from 1.58 GPM

FLOW RATE

± 0.5 %

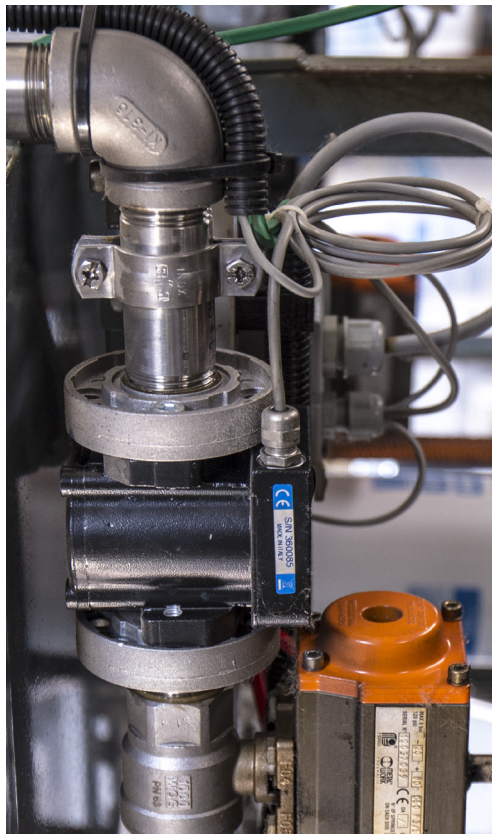
ACCURACY

0.2%

REPEATABILITY

994 PSI

PRESSURE



K600/3



K600/3 PULSER

PACKAGING

PART #	WEIGHT		PACKAGING			
	KG	LBS	MM	INCH	PCS/PALLET	PCS/BOX
METERS						
FOO496A10	1.6	3.5	200X120X140	7.9X4.7X5.5	-	1
PULSER						
FOO472A10	2	4.4	200X120X140	7.9X4.7X5.5	-	1



FLUID MONITORING



HOSE REELS



AIR



ANTIFREEZE



DEF



BIODIESEL



DIESEL



FOOD



GASOLINE



GREASE



KEROSENE



OIL

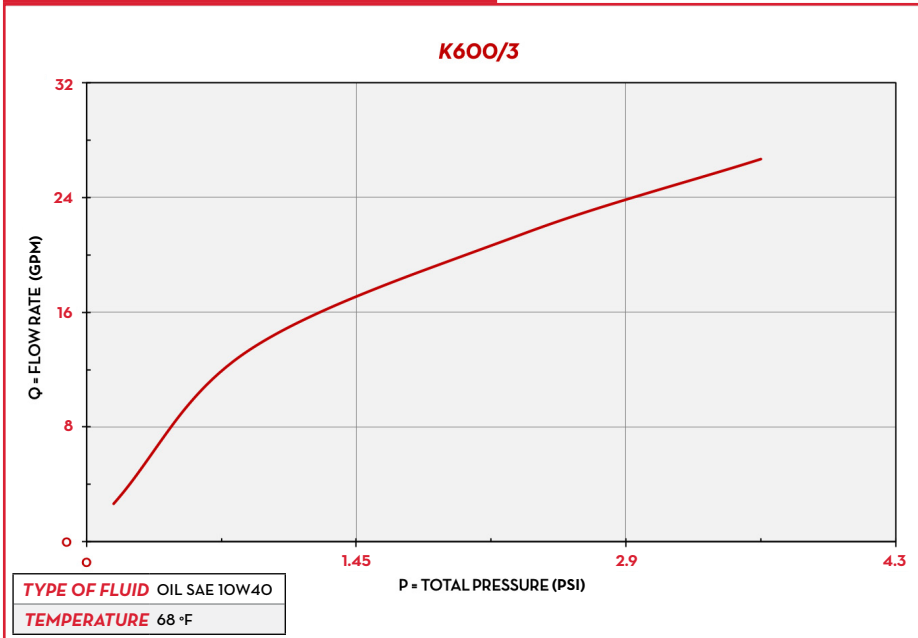


WATER



WINDSCREEN

CHARTS



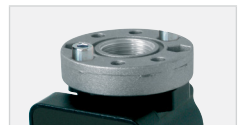
IN THE BOX

- K600/3 METER
- INSTRUCTION MANUAL

DETAILS



RESET / CALIBRATE BUTTON

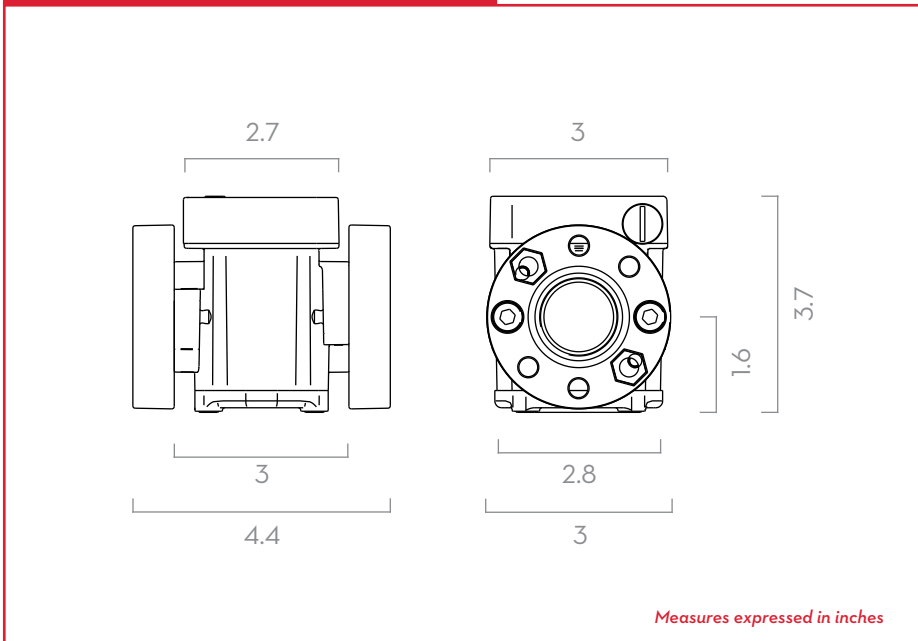


ALUMINUM BODY



OVAL GEAR

DIMENSIONS



MATERIALS

- BODY: ALUMINUM
- GEARS: TECHNOPOLYMER

TECHNICAL DATA

PART #	DESCRIPTION	FLUIDS TYPE	FLOW RATE		WORKING PRESSURE		BATTERY INCLUDED NO. 2 2X1.5V	FLANGE	INLET OUTLET	INLET FILTER
			L/MIN	GPM	BAR	PSI				
METERS										
FOO496A10	K600/3 OIL METER - 1015 PSI - 3/4"NPT		6 - 60	1.58 - 1.58	70	994	YES	YES	3/4" NPT	YES
PULSER										
FOO472A10	K600/2-3 OIL PULSER - 1015PSI - 3/4"NPT		6 - 60	1.58 - 1.58	70	994	-	YES	3/4" NPT	YES

UPON REQUEST AVAILABLE IN BSP VERSION AND DISPLAY IN LITER

K600/3