



DISPENSERS



FUEL KITS



PUMPS



METERS



NOZZLE



FILTRATION

K600/4

FEATURES

- EASY TO INSTALL AND TO CALIBRATE
- VERSATILE
- HIGH PRECISION

The PIUSI K600/4 is an oval gear meter suitable for monitoring the delivery of fuels. This special version is particularly suitable for all applications in the industrial sector.

PERFORMANCE

3.9-39

GPM

FLOW RATE

290 PSI

MAX OPERATING

PRESSURE

± 0.5%

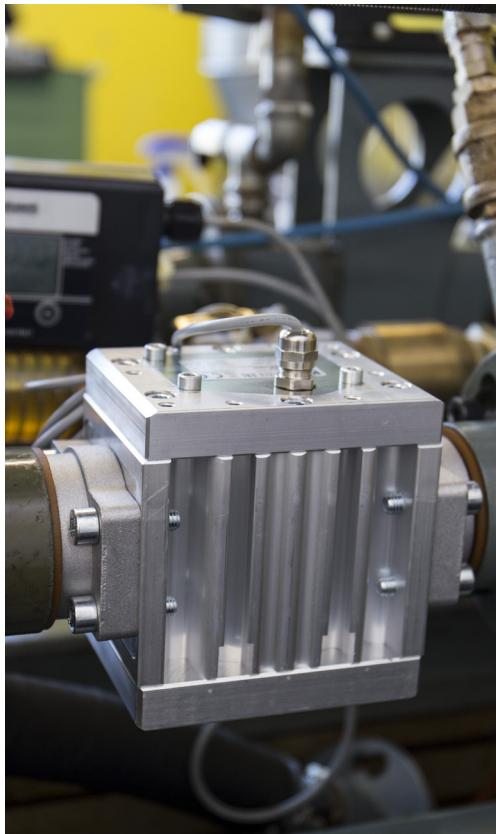
ACCURACY



K600/4



K600/4 PULSER



PACKAGING

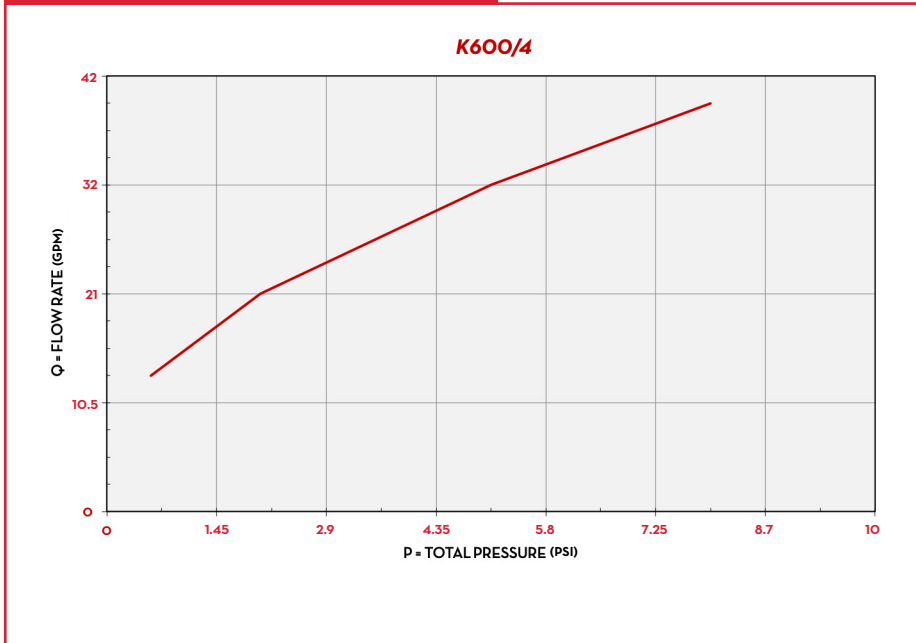
PART #	WEIGHT		PACKAGING		
	KG	LBS	MM	INCH	PCS/BOX
METERS					
FOO49701A	3.2	7	200X120X140	7.9X4.7X5.5	1
PULSER					
OOO47301O	3.2	7	200X120X140	7.9X4.7X5.5	1



FLUID
MONITORING

- A
AIR
- A
ANTIFREEZE
- D
DEF
- B
BIODIESEL
- D
DIESEL
- F
FOOD
- G
GASOLINE
- G
GREASE
- K
KEROSENE
- O
OIL
- W
WATER
- W
WINDSCREEN

CHART



IN THE BOX

- K600/4 METER
- FLANGES
- INSTRUCTION MANUAL

DETAILS

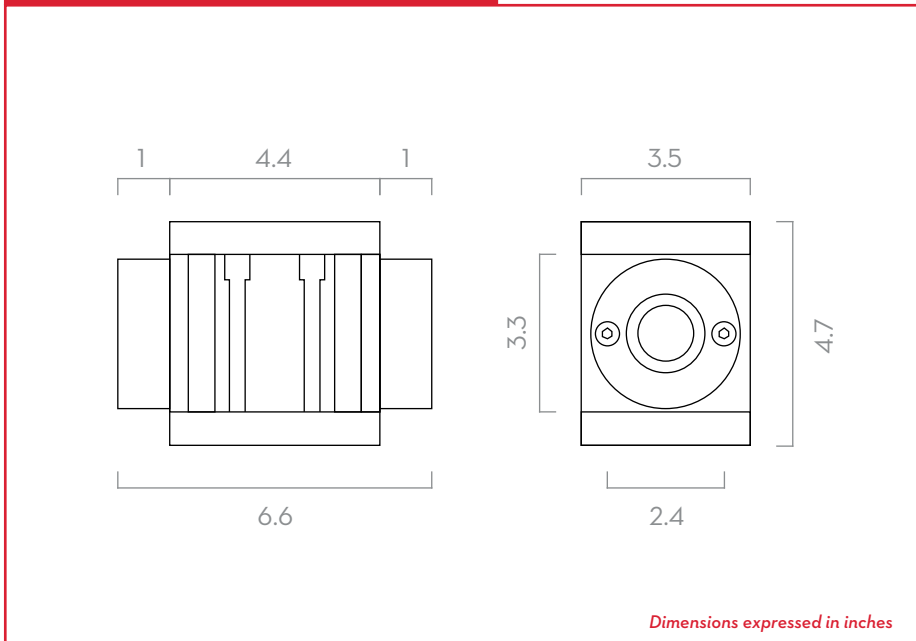


5-DIGIT DISPLAY



OVAL GEARS

DIMENSIONS



MATERIALS

- BODY: ALUMINUM
- GEARS: TECHNOPOLYMER

TECHNICAL DATA

PART #	DESCRIPTION	FLUIDS TYPE	FLOW RATE		PULSER		PRESSURE		BATTERY N ^o 2 X 1.5V (INCLUDED)	FLANGE	INLET / OUTLET	INLET FILTER
			L/MIN	GPM	P/L	GPM	BAR	PSI				
METERS												
FOO49701A	K600/4 DIESEL METER 4-40GPM 1-1/2" NPT	A B D O	15 - 150	3.9 - 39	-	-	20	290	YES	YES	1-1/2" NPT	YES
PULSER												
OOO47301O	K600/4 DIESEL PULSER 4-40GPM 1-1/2" NPT	A B D O	15 - 150	3.9 - 39	26	98	20	290	NO	YES	1-1/2" NPT	YES

UPON REQUEST AVAILABLE IN BSP VERSION.

K600/4