



LUBE KITS



PUMPS



METERS



METERED NOZZLES



NOZZLES



FILTRATION

K500

FEATURES

- PRESET FUNCTION
- HIGH ACCURACY
- STANDARD BATTERY AA
- ERGONOMIC HANDLE
- ROTATING SPOUT
- SHOCK-ABSORBING PROTECTION
- IP55 PROTECTION
- ADJUSTABLE UNIT OF MEASUREMENT

The Piusi K500 is the most widespread preset nozzle for oil. It has an ergonomic handle, an oval gear meter and a preset function to always choose the right quantity before dispensing.

PERFORMANCE

up to

7.8 GPM

from 0.26 GPM

FLOW RATE

± 0.5%

ACCURACY

up to

2000 CST

VISCOSITY

994 PSI

PRESSURE



K500



PACKAGING

PART #	WEIGHT		PACKAGING			N. BOXES/ EUROPALLET	
	KG	LBS	IN	PCS/PALLET	PCS/BOX		
FOO68600D	1.8	4	11X6.3X5.5	-	1	128	160



FLUID MONITORING



HOSE REELS



AIR



ANTIFREEZE



DEF



BIODIESEL



DIESEL



FOOD



GASOLINE



GREASE



KEROSENE



OIL

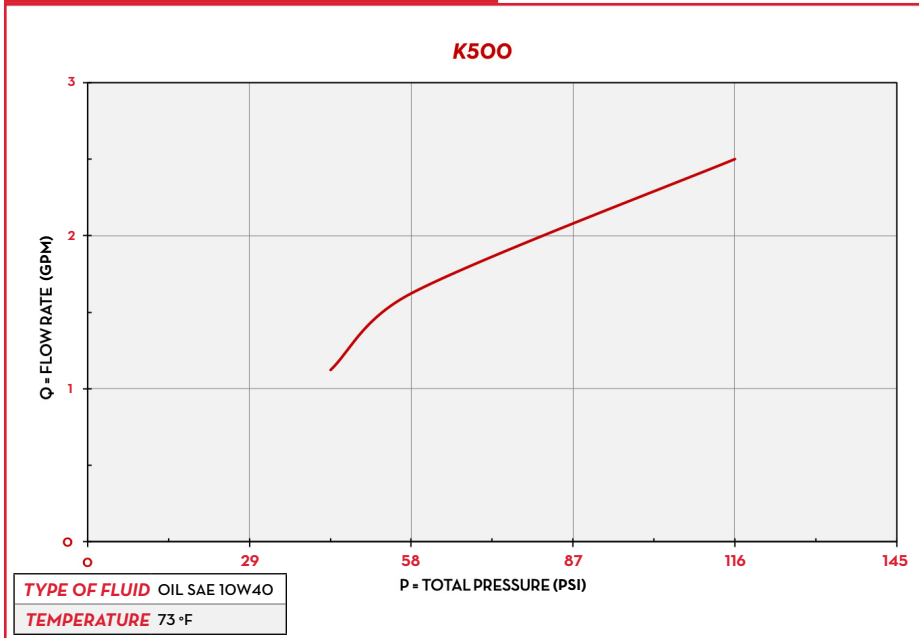


WATER



WINDSCREEN

CHARTS



IN THE BOX

- K500 NOZZLE
- INSTRUCTION MANUAL

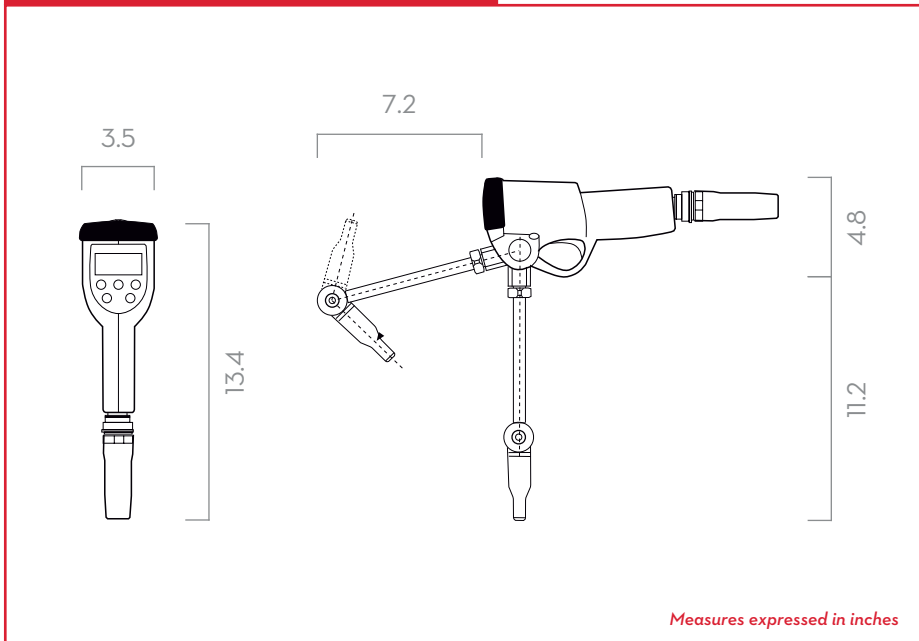
DETAILS



MATERIALS

- NOZZLE BODY: ALUMINUM
- VALVE: NBR, NICKEL PLATED STEEL, BRASS
- METER BODY: ALUMINUM
- GEARS: TECHNOPOLYMER

DIMENSIONS



TECHNICAL DATA

PART #	DESCRIPTION	FLUIDS TYPE	SPOUT TYPE	AUTOMATIC NO DRIP VALUE	FLOW RATE		WORKING PRESSURE		BATTERIES SIZE 1.5 V AA NO.	INLET
					L/MIN	GPM	BAR	PSI		
FOO68600D	K500 PRESET OIL NOZZLE	O	A	YES	1-30	0.26-7.8	70	994	4	1/2" NPT

K500