



DISPENSERS



PUMPS



METERS



METERED NOZZLES



NOZZLES

SELF SERVICE MC 2.0

FEATURES

- FLEET MANAGEMENT
- BUILT-IN FILTER
- ALL-IN-ONE EQUIPMENT
- COMPACT DESIGN
- SSM2.0 SOFTWARE REQUIRED (PG. 84)

The PIUSI Self Service MC 2.0 maintains all the advantages of the renown MC system integrated in a DEF dispenser while granting all the 2.0 features: DEF consumption monitoring and report, fleet management, vehicles and users control.



SELF SERVICE MC 2.0

PERFORMANCE

UP TO

9 GPM

FLOW RATE

LAN

CONNECTION

± 1%

ACCURACY



PACKAGING

PART #	WEIGHT		PACKAGING		N. BOXES/EUROPALLET	
	KG	LBS	MM	PCS/BOX		
FO0743080	50	110	1478X488X400	1	6*	4



FILTRATION



FLUID MONITORING



HOSE REELS



ACCESSORIES



AIR



ANTIFREEZE



DEF



BIODIESEL



DIESEL



FOOD



GASOLINE



GREASE



KEROSENE



OIL

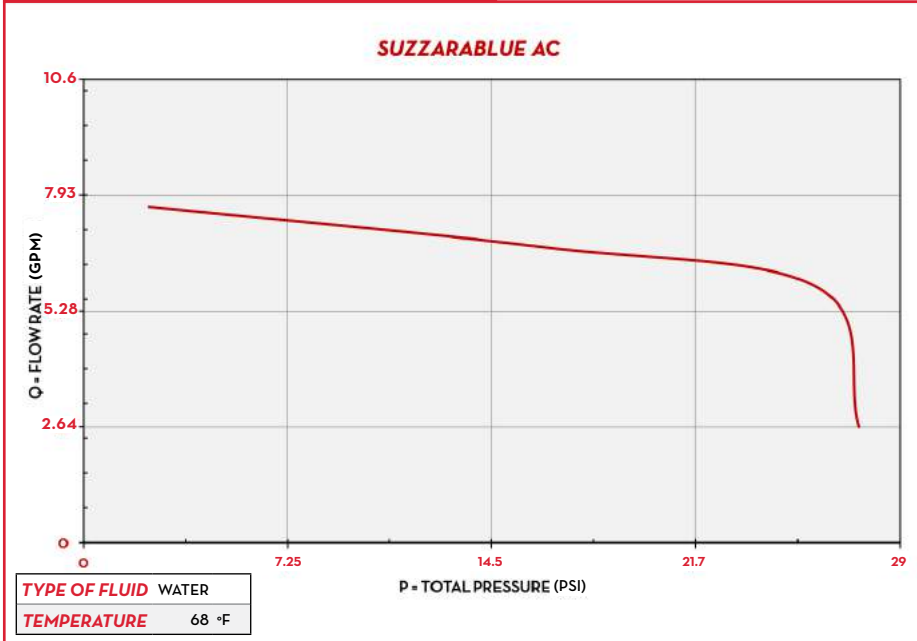


WATER



WINDSCREEN

CHARTS



IN THE BOX

- SELF SERVICE MC 2.0 UNIT
- DELIVERY HOSE
- SB325_X NOZZLE
- INSTRUCTION MANUAL

DETAILS



SB325_X NOZZLE

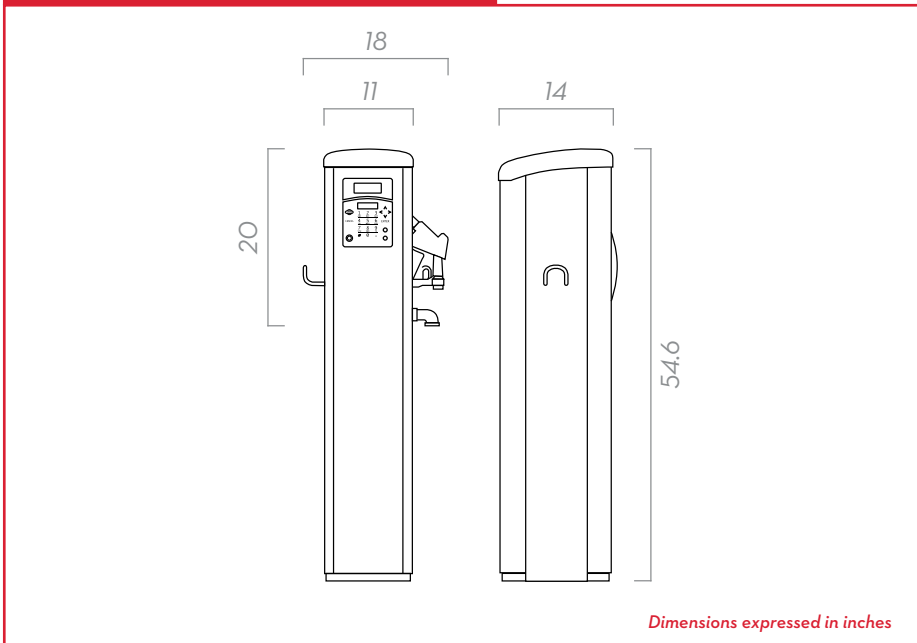


3D FILTER



SSM 2.0 SOFTWARE (PG.84)

DIMENSIONS



MATERIALS

- **PUMP:**
SUZZARBLUE PUMP AC PG. 28
- **METER:**
K24 METER PG. 46
- **NOZZLE:**
SB325_X PG. 56
- **FILTER:**
3D FILTER PG. 72

TECHNICAL DATA

PART #	DESCRIPTION	FLUIDS TYPE	FLOW RATE		VOLTAGE			METER MOD.	NOZZLE TYPE	FILTER 3D FILTER	INLET BSP	DELIVERY HOSE LENGTH
			L/MIN	GPM	AC V/HZ DC VOLT	POWER WATT	AMP. MAX.					
FO0743080	SELF SERVICE MC 2.0 DEF 120/60 9GPM		34	9	120/60	400	1.95	K24	SB325	YES	3/4"	20 FT

SELF SERVICE MC 2.0