



DISPENSERS



PUMPS



METERS



METERED NOZZLES



NOZZLES

SELF SERVICE MC

FEATURES

- MULTI-USER MANAGEMENT
- BUILT-IN FILTER
- ALL-IN-ONE DISPENSER
- COMPACT DESIGN
- COMPATIBLE WITH SSM2018 SOFTWARE (PG. 14)

The PIUSI Self Service MC is the combination of the PIUSI MC technology and the Suzzarablue product range. This DEF dispenser is composed of the MC panel, the Suzzarablue pump, the SB325 nozzle, the K24 pulse meter and 3D filter.



SELF SERVICE MC

PERFORMANCE

UP TO

9 GPM

FLOW RATE

UP TO

80

USERS

± 1%

ACCURACY



PACKAGING

PART #	WEIGHT		PACKAGING		N. BOXES/EUROPALLET	
	KG	LBS	MM	PCS/BOX		
FO0744020	50	110	58X19X15.7	1	6*	4



FILTRATION



FLUID MONITORING



HOSE REELS



ACCESSORIES



AIR



ANTIFREEZE



DEF



BIODIESEL



DIESEL



FOOD



GASOLINE



GREASE



KEROSENE



OIL

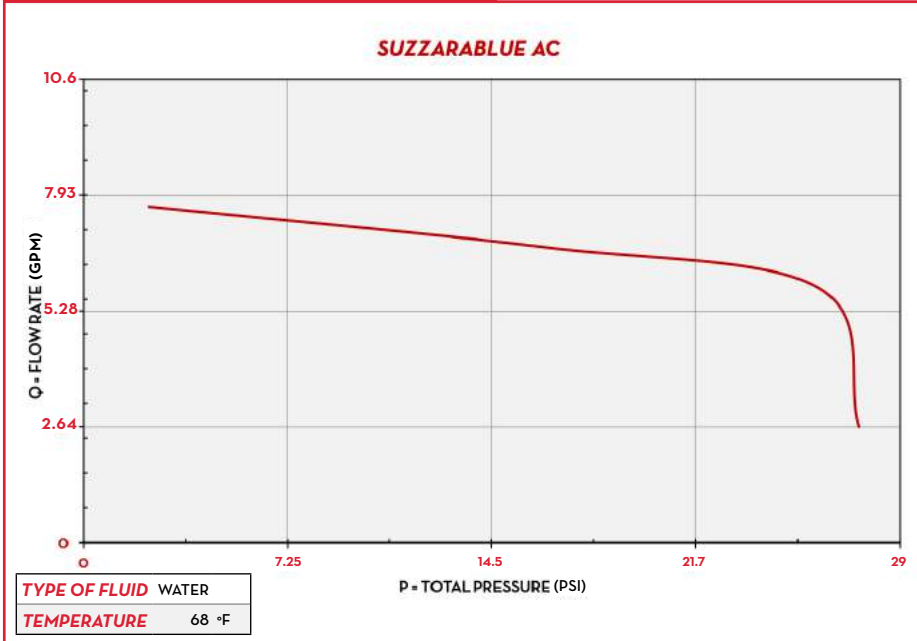


WATER



WINDSCREEN

CHARTS



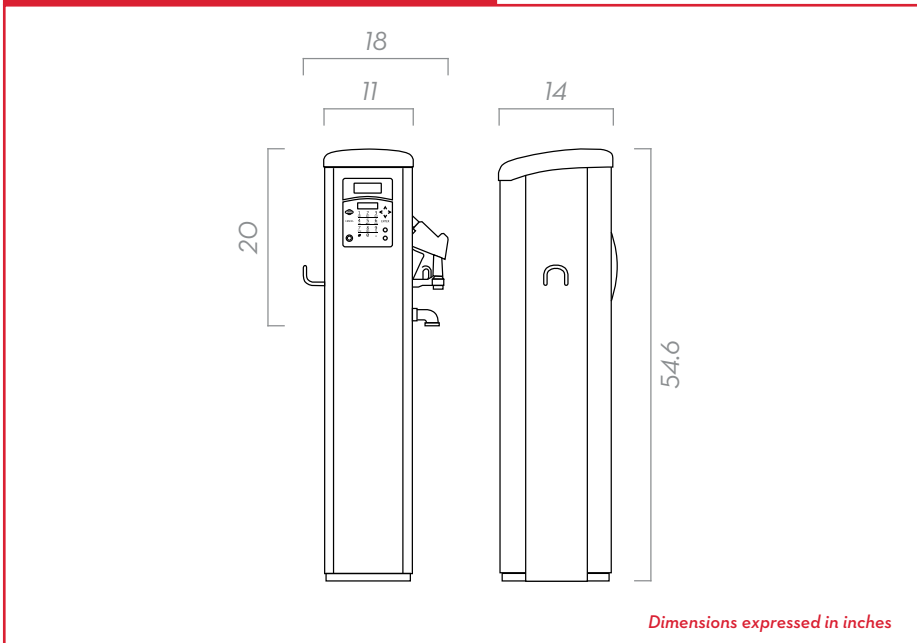
IN THE BOX

- SELF SERVICE MC UNIT
- DELIVERY HOSE
- SB325_X NOZZLE
- INSTRUCTION MANUAL

DETAILS



DIMENSIONS



MATERIALS

- **PUMP:**
SUZZARBLUE PUMP AC PG. 28
- **METER:**
K24 METER PG. 46
- **NOZZLE:**
SB325_X PG. 56
- **FILTER:**
3D FILTER PG. 72

TECHNICAL DATA

PART #	DESCRIPTION	FLUIDS TYPE	FLOW RATE		VOLTAGE			METER MOD.	NOZZLE TYPE	FILTER 3D FILTER	INLET BSP	DELIVERY HOSE LENGTH
			L/MIN	GPM	AC V/HZ DC VOLT	POWER WATT	AMP. MAX.					
FO0744020	SELF SERVICE MC 1.0 DEF 120/60 9GPM		34	9	120/60	400	1.95	K24	SB325	YES	3/4"	20 FT

SELF SERVICE MC