



DISPENSERS



PUMPS



METERS



METERED NOZZLES



NOZZLES

OCIO

FEATURES

- **READY TO USE**
- **BUILT-IN DISPLAY**
- **STAINLESS STEEL PROBE**

OCIO is Piusi's tank level indicator specifically designed for DEF thanks to its stainless steel probe.

PERFORMANCE

up to
13 FT
height
TANK

1%
full scale
ACCURACY

up to
164 FT
length
PROBE TUBE

up to
30 CST
VISCOSITY



OCIO



32 FT TUBE



STAINLESS STEEL PROBE

PACKAGING

PART #	WEIGHT		PACKAGING		
	KG	LBS	MM	INCH	PCS/BOX
FO0755150	2.2	4.8	300X410X100	11.8X16.1X3.9	1



FILTRATION



FLUID MONITORING



HOSE REELS



ACCESSORIES



AIR



ANTIFREEZE



DEF



BIODIESEL



DIESEL



FOOD



GASOLINE



GREASE



KEROSENE



OIL

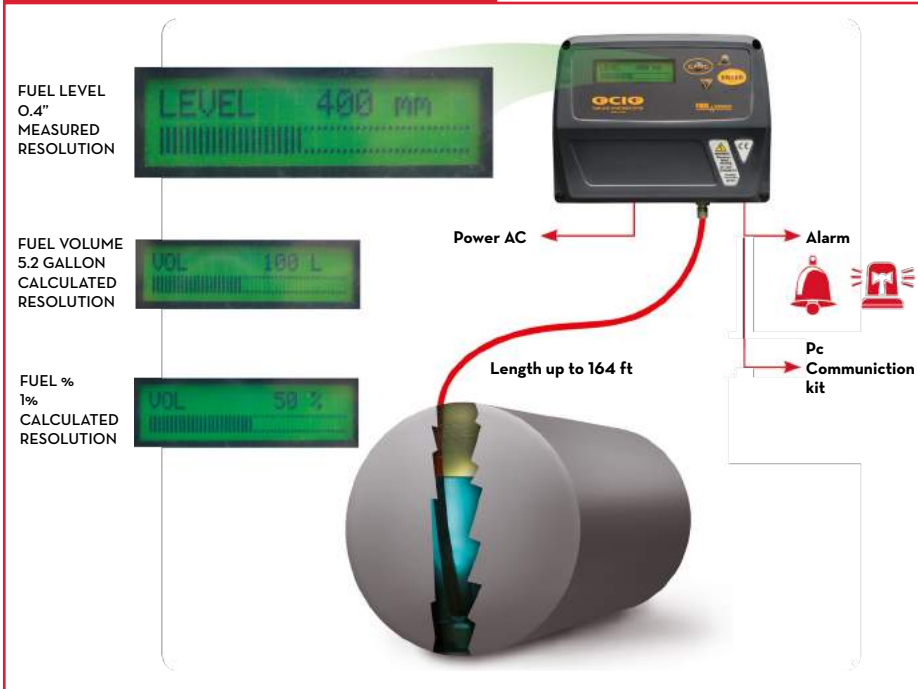


WATER



WINDSCREEN

FUNCTIONING



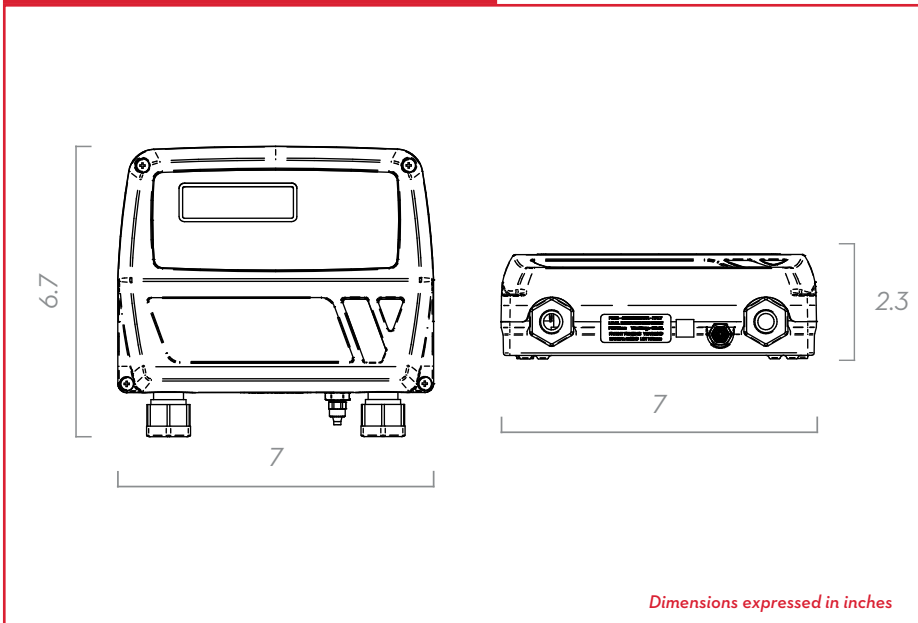
IN THE BOX

- OCIO UNIT
- PROBE
- 32 FT TUBE
- INSTRUCTION MANUAL

DETAILS



DIMENSIONS



MATERIALS

- PROBE: STAINLESS STEEL
- TUBE: TECHNOPOLYMER

TECHNICAL DATA

PART #	DESCRIPTION	FLUIDS TYPE	VISCOSITY		VOLTAGE		RS EXIT
			CST	AC V/HZ DC VOLT	POWER WATT	AVAILABLE	
FO0755150	DEF OCIO 110V 50/60 HZ RS OUT		UREA	120/60	20	AVAILABLE	