



LUBE KITS



PUMPS



METERS



METERED NOZZLES



NOZZLES



FILTRATION

EASY K40

FEATURES

- NO CALIBRATION REQUIRED
- EASY TO RESET
- PARTIAL AND FULL TOTALIZER
- NON-RESETTABLE TOTALIZER
- NO BATTERY NEEDED
- MECHANICAL RESET BUTTON
- SWIVEL

The Piusi Easy K40 is the simplest solution for the delivery and measuring of oil. It is composed by the ergonomic Easy Oil nozzle and the K40 meter.

PERFORMANCE

up to

7.8 GPM

from 0.26 GPM

FLOW RATE

± 1%

ACCURACY

up to

2000 CST

VISCOSITY

994 PSI

PRESSURE



EASY K40 WITH FLEXIBLE SPOUT



with rigid spout



without spout



PACKAGING

PART #	WEIGHT		IN	PACKAGING		N. BOXES/ EUROPALET	
	KG	LBS		PCS/PALLET	PCS/BOX		
FO0973120	1.53	3.4	13.6X6.5X4.7	-	1	126	144
FO0973130	1.53	3.4	13.6X6.5X4.7	-	1	126	144
FO0973140	1.53	3.4	13.6X6.5X4.7	-	1	126	144
FO0973150	1.53	3.4	13.6X6.5X4.7	-	1	126	144



FLUID MONITORING



HOSE REELS



AIR



ANTIFREEZE



DEF



BIODIESEL



DIESEL



FOOD



GASOLINE



GREASE



KEROSENE



OIL

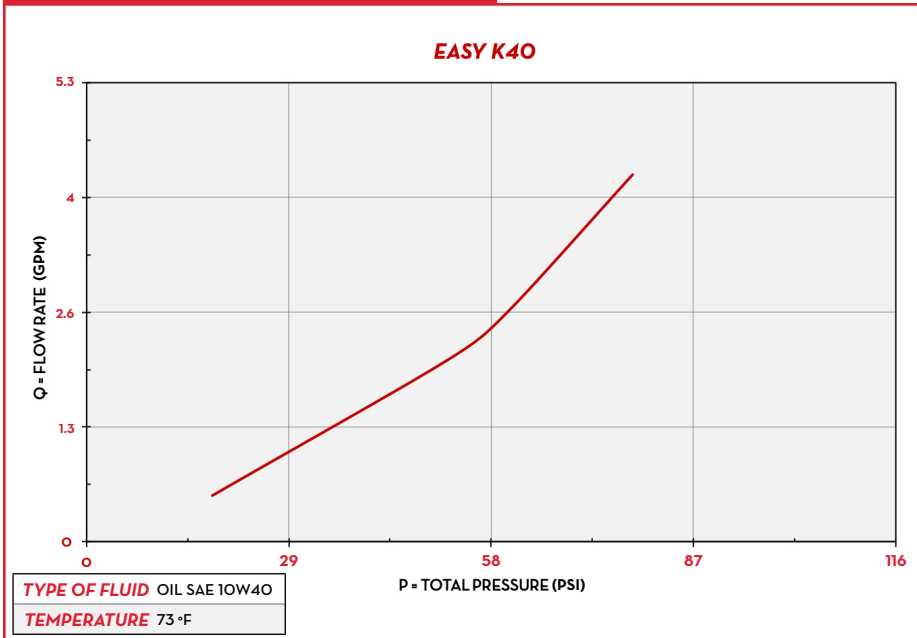


WATER



WINDSCREEN

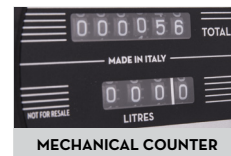
CHARTS



IN THE BOX

- EASYOIL NOZZLE
- K40 METER
- INSTRUCTION MANUAL

DETAILS



MECHANICAL COUNTER



RESET BUTTON

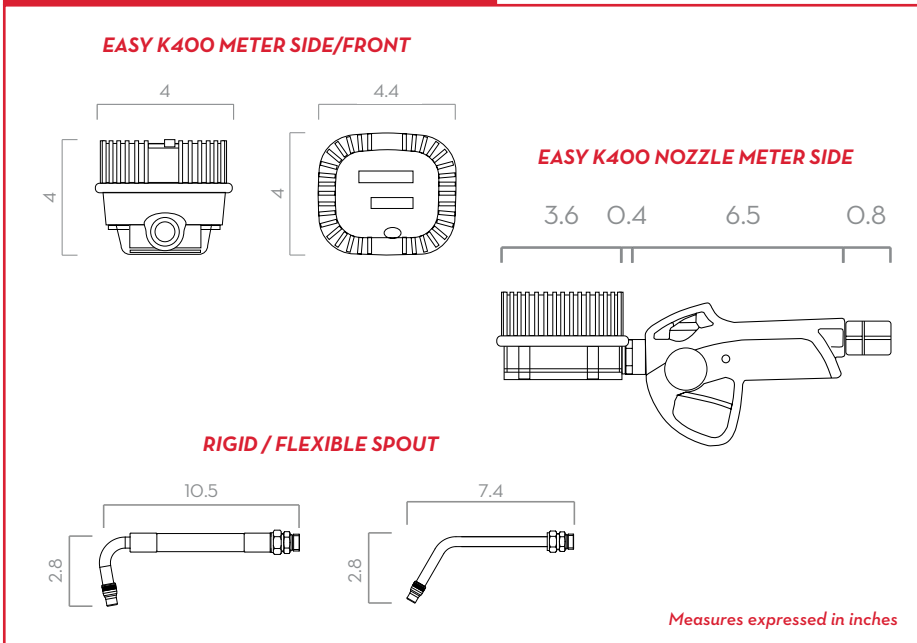


SELECTED MATERIALS



METER WITH OVAL GEARS

DIMENSIONS



MATERIALS

- NOZZLE BODY: ALUMINUM
- VALVE: NBR, NICKEL PLATED STEEL, BRASS
- METER BODY: ALUMINUM
- GEARS: TECHNOPOLYMER

TECHNICAL DATA

PART #	DESCRIPTION	FLUIDS TYPE	SPOUT TYPE	AUTOMATIC NO DRIP VALUE	FLOW RATE		WORKING PRESSURE		INLET	OUTLET
					L/MIN	GPM	BAR	PSI		
FOO973120	K40 METER W/ RIGID SPOUT QT/GAL 1000PSI		-	-	1-30	0.26-7.8	70	994	1/2" NPT	RIGID EXT.
FOO973130	K40 METER W/ FLEX SPOUT QT/GAL 1000PSI		-	-	1-30	0.26-7.8	70	994	1/2" NPT	FLEX EXT.
FOO973140	K40 METER W/ RIGID SPOUT ML/L 1000PSI		-	-	1-30	0.26-7.8	70	994	1/2" NPT	RIGID EXT.
FOO973150	K40 METER W/ FLEX SPOUT ML/L 1000PSI		-	-	1-30	0.26-7.8	70	994	1/2" NPT	FLEX EXT.

EASY K40