



DISPENSERS



PUMPS



METERS



METERED NOZZLES



NOZZLES

SUZZARABLU MANUAL NOZZLE

FEATURES

- **READY TO USE**
- **ERGONOMIC HANDLE**
- **LIGHTWEIGHT**

The Piusi SUZZARABLU MANUAL NOZZLE is the basic version of Suzzarablu nozzles designed to dispense DEF. Among the manual devices, it is distinguished by its high efficiency thanks to the a flow resistance, and a very economic construction.

PERFORMANCE

UP TO

20 GPM

FLOW RATE

50 PSI

PRESSURE



SUZZARABLU MANUAL NOZZLE



PACKAGING

PART #	WEIGHT		PACKAGING		
	KG	LBS	MM	INCH	PCS/BOX
F14761000	0.2	0.4	800X480X300	31.5X18.9X11.8	1



FILTRATION



FLUID MONITORING



HOSE REELS



ACCESSORIES



AIR



ANTIFREEZE



DEF



BIODIESEL



DIESEL



FOOD



GASOLINE



GREASE



KEROSENE



OIL



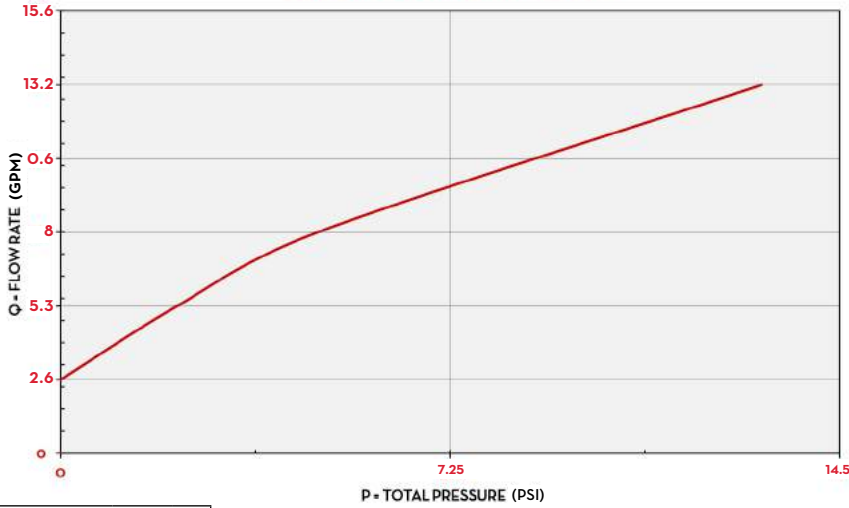
WATER



WINDSCREEN

CHARTS

SUZZARABLUE MANUAL NOZZLE



TYPE OF FLUID WATER
 TEMPERATURE 68 °F

IN THE BOX

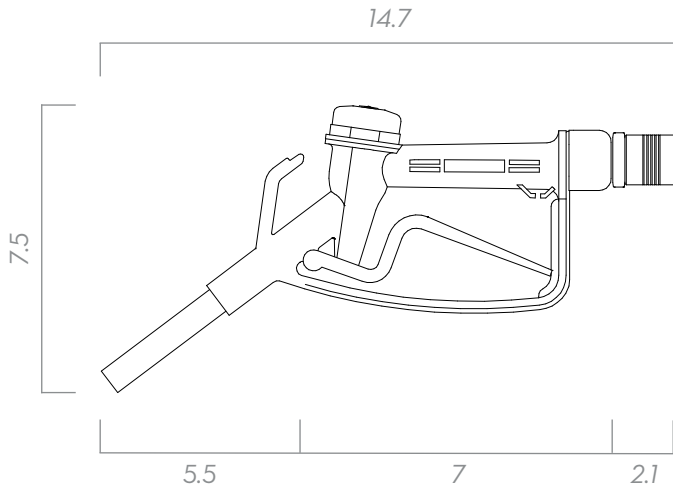
- SUZZARABLUE MANUAL NOZZLE
- INSTRUCTION MANUAL

DETAILS



STAINLESS STEEL SPOUT

DIMENSIONS



Dimensions expressed in inches

MATERIALS

- BODY: TECHNOPYLIMER
- SPOUT: STAINLESS STEEL

TECHNICAL DATA

PART #	DESCRIPTION	FLUIDS TYPE	FLOW RATE		PRESSURE	INLET	SWIVEL	SPOUT
			L/MIN	GPM				
F14761000	DEF MANUAL NOZZLE W/HOSE TAIL W/OUT LOCK		80	20	50	3/4"	NO	3/4"

SUZZARABLUE MANUAL NOZZLE