



LUBE KITS



PUMPS



METERS



METERED NOZZLES



NOZZLES



FILTRATION

GREASE HOSE REEL

FEATURES

- HEAVY DUTY SPRING
- HAND PROTECTION (ON REQ.)
- WIDE RANGE OF PRODUCTS
- DURABLE
- STEEL HUB
- HIGH PRESSURE

The Piusi OPEN HOSE REEL for grease, manufactured according to the most demanding requirements, is suitable for all grease heavy duty applications.

PERFORMANCE

max

5801 PSI

MAX WORKING PRESSURE

50 FT

HOSE LENGTH



HOSE REEL OPEN FOR GREASE

PACKAGING

PART #	WEIGHT		PACKAGING		
	KG	LBS	IN	PCS/PALLET	PCS/BOX
HA401514NO	27	60	21.6X10.2X21.2	-	1



FLUID MONITORING



HOSE REELS



AIR



ANTIFREEZE



DEF



BIODIESEL



DIESEL



FOOD



GASOLINE



GREASE



KEROSENE



OIL



WATER

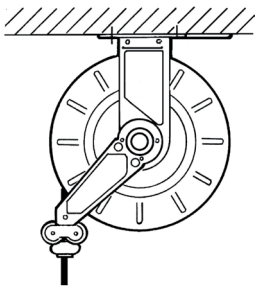


WINDSCREEN

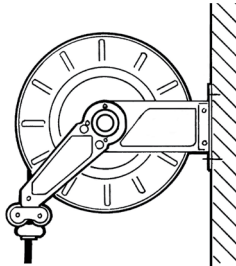
INSTALLATION

Multiple ways to install PIUSI's hose reels: they can be easily placed wherever you need them without any problem about functionality and safety. PIUSI's products are without a doubt designed to support your work in any condition.

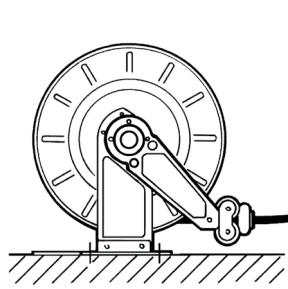
ROOF
INSTALLATION



WALL
INSTALLATION



GROUND
INSTALLATION



IN THE BOX

- REEL
- WALL MOUNT BRACKET
- INSTRUCTION MANUAL

DETAILS



4 ROLLS HOSE GUIDE



STURDY DESIGN

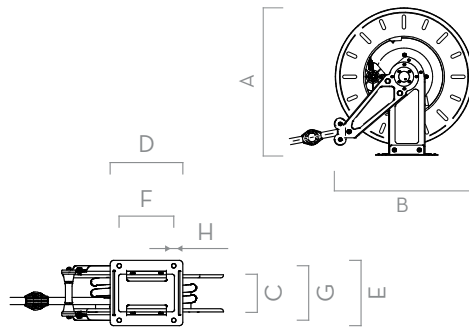


DIFFERENT INSTALLATIONS

DIMENSIONS

MODEL OPEN HOSE
REEL SMALL

A	18.7
B	18
C	4
D	6
E	7.7
F	6
G	6
H	0.5



Measures expressed in inches

MATERIALS

- BODY: CAST IRON
- HUB: SYNTHETED STEEL
- TUBE: RUBBER

TECHNICAL DATA

PART #	DESCRIPTION	FLUIDS TYPE	HOSE	MAX WORKING PRESSURE	PRESSURE DROP	INLET WITH SWIVEL	OUTLET HOSETAIL	HOSE MAX LENGTH BOUND	HOSE LENGTH
			NPT/BSP						
HA401514NO	OPEN HOSE REEL GREASE 1/4" X 50FT NPT		1/4"	5801	2320 @ 21 OZ/MIN*	1/4" FEMALE	1/4" FEMALE	-	50

(*) PRESSURE DROP FOR GREASE NLGI 2.5

GREASE HOSE REEL

OPEN

111