



LUBE KITS



PUMPS



METERS



METERED NOZZLES



NOZZLES



FILTRATION

AIR/WATER HOSE REEL

FEATURES

- STURDY METALLIC STRUCTURE
- ANTI-FREEZE VERSION
- BENDING PROTECTION

The Piusi CLOSED HOSE REEL for Air/Water comes with a sturdy metallic cabinet that ensures any possible corruption of the inner components. It is ready to be fitted on the wall or into an open cabinet.

PERFORMANCE

max

290 PSI

MAX WORKING PRESSURE

40 FT

HOSE LENGTH



HOSE REEL CLOSED FOR AIR/WATER

PACKAGING

PART #	WEIGHT		PACKAGING			
	KG	LBS	MM	INCH	PCS/PALLET	PCS/BOX
HC201214NO	6	13.2	380X180X270	15X7.1X10.6	-	1



FLUID MONITORING



HOSE REELS



AIR



ANTIFREEZE



DEF



BIODIESEL



DIESEL



FOOD



GASOLINE



GREASE



KEROSENE



OIL



WATER

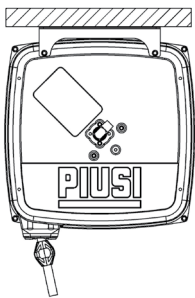


WINDSCREEN

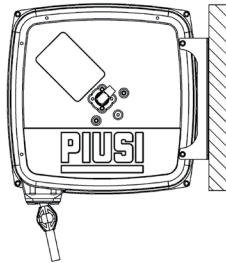
INSTALLATION

Multiple ways to install PIUSI's hose reels: they can be easily placed wherever you need them without any problem about functionality and safety. PIUSI's products are without a doubt designed to support your work in any condition.

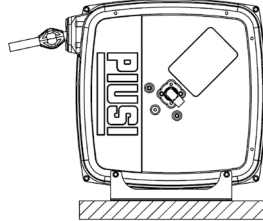
ROOF
INSTALLATION



WALL
INSTALLATION



GROUND
INSTALLATION



IN THE BOX

- REEL
- WALL MOUNT BRACKET
- INSTRUCTION MANUAL

DETAILS



REVOLVING BRACKET



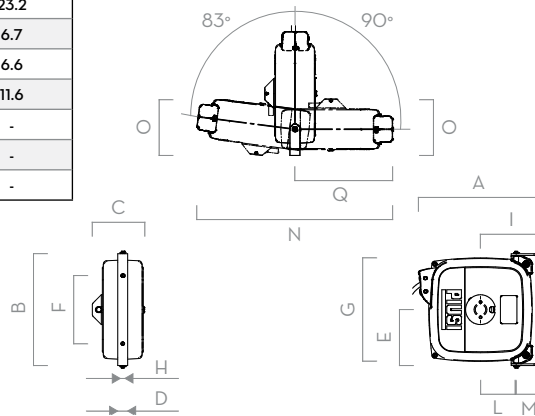
CONNECTION HOSE



SWIVEL

DIMENSIONS

MODEL	CLOSED HOSE REEL	MODEL	CLOSED HOSE REEL
A	14.7	L	4.25
B	13.3	M	3.1
C	6.3	N	23.2
D	1.2	O	6.7
E	6.6	P	6.6
F	8.1	Q	11.6
G	12.3	-	-
H	0.4	-	-
I	7.4	-	-



Measures expressed in inches

MATERIALS

- BODY: CAST IRON
- HUB: SYNTHETED STEEL
- TUBE: RUBBER

TECHNICAL DATA

PART #	DESCRIPTION	FLUIDS TYPE	HOSE	MAX WORKING PRESSURE	PRESSURE DROP	INLET WITH SWIVEL	OUTLET HOSETAIL	HOSE MAX LENGTH BOUND	HOSE LENGTH
			NPT/BSP	PSI	PSI	NPT/BSP	NPT/BSP	FT	FT
HC201214NO	CLOSED HOSE REEL AIR/WATER 10X14 X 40FT		10X14	290	-	0.4"	3/4" MALE	-	40

AIR/WATER HOSE REEL

CLOSED