



DISPENSERS



PUMPS



METERS



METERED NOZZLES



NOZZLES

# SUZZARABLU PUMP AC

## FEATURES

- **READY TO USE**
- **MULTI-PURPOSE PUMP**
- **SELF-PRIMING**
- **BUILT-IN BYPASS VALVE**

The Piusi SUZZARABLU AC PUMP is the most famous diaphragm pump for DEF. It is equipped with electric motor without any dynamic seals. This solution creates a reliable industrial pump with self-priming capabilities.

## PERFORMANCE

UP TO

**9 GPM**

FLOW RATE

**20 MIN**

DUTY CYCLE



SUZZARABLU PUMP AC



## PACKAGING

PART #	WEIGHT		PACKAGING		N. BOXES/EUROPALLET	
	KG	LBS	MM	PCS/BOX		
FOO20310H	7	15.4	14X12X8	1	60	84



FILTRATION



FLUID MONITORING



HOSE REELS



ACCESSORIES



AIR



ANTIFREEZE



DEF



BIODIESEL



DIESEL



FOOD



GASOLINE



GREASE



KEROSENE



OIL



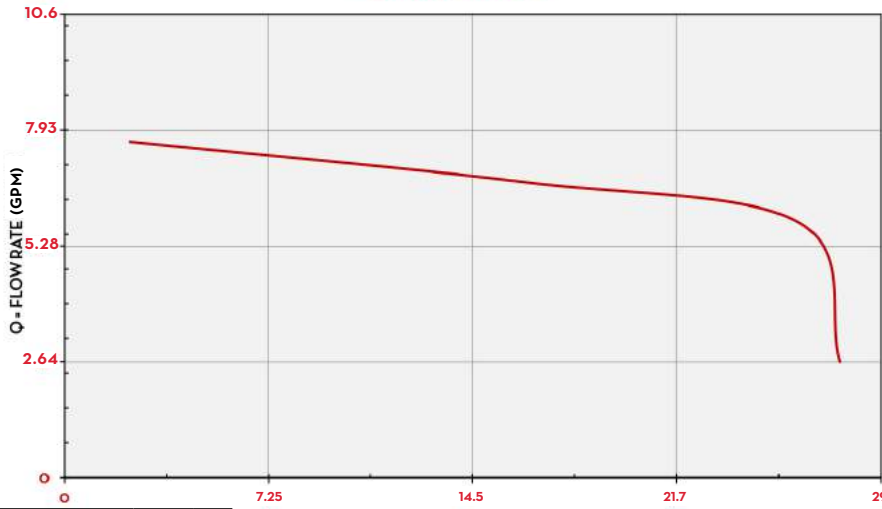
WATER



WINDSCREEN

## CHARTS

### SUZZARBLUE AC



TYPE OF FLUID WATER  
TEMPERATURE 68 °F

P = TOTAL PRESSURE (PSI)

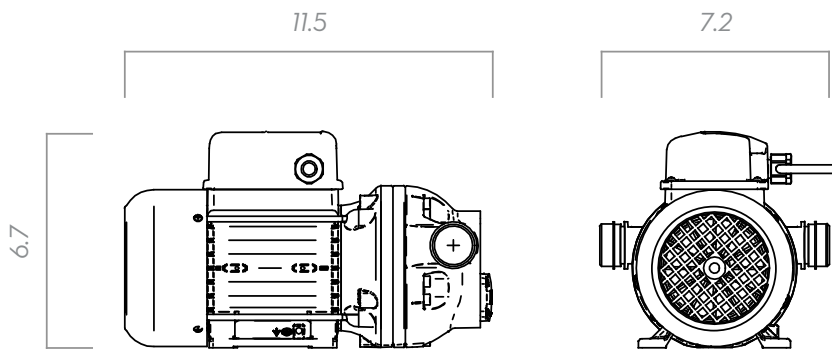
## IN THE BOX

- SUZZARBLUE PUMP
- HOSE FITTINGS
- INSTRUCTION MANUAL

## DETAILS



## DIMENSIONS



Dimensions expressed in inches

## MATERIALS

- BODY: POLYPROPYLENE
- DIAPHRAGM: POLYPROPYLENE

## TECHNICAL DATA

PART #	DESCRIPTION	FLUIDS TYPE	FLOW RATE		VOLTAGE				CABLES	INLET-OUTLET	ON/OFF
			L/MIN	GPM	AC V/HZ DC VOLT	RPM	POWER WATT	AMP. MAX.			
FOO20310H	SUZZARBLUE 120V DEF DIAPHRAGM PUMP CSA		34	9	120/60	1400	400	4.7	6 FT	3/4"	YES

UPON REQUEST IT IS AVAILABLE WITH DIFFERENT VOLTAGE AND FREQUENCY.

# SUZZARBLUE PUMP AC

AC PUMP