

RATCHET LOCK USE

Engage ratchet lock by pulling cable out to desired position and letting it retract SLOWLY until lock engages. To release lock, quickly pull cable out a short distance and allow it to begin to retract—it operates like a window shade. Locking feature may be turned off by turning knob on side of reel.

DANGER

DO NOT allow cable to retract in an uncontrolled manner. Always guide cable back to reel. Failure to do so can result in damage to reel or personal injury.

SERVICE

REGULAR MAINTENANCE

1. Reel is factory lubricated for life. No additional lubrication is required.
2. Periodically check cable for wear. **If wear is detected, cable should be replaced immediately.** If cable replacement is required, order cable Assembly Kit No.5 which contains cable and related parts, hardware and instructions. See Parts List (inside) for details.

SPRING REPLACEMENT

DANGER

DO NOT attempt to remove spring motor from its canister. Doing so can result in damage to reel or personal injury.

Spring motors are self-contained for safe and easy handling. If spring motor replacement is required, it should be replaced as a unit by ordering Spring Motor Assembly Kit No. 1 which contains the spring motor, spool, shaft & bushings in a sealed canister. See Parts List (inside) for details.

RATCHET LOCK REPLACEMENT

For your convenience, the ratchet lock assembly has been included in two separate replacement kits. Order either the Hardware Assembly Kit No. 6, or the RH Housing Assembly Kit No. 2. See Parts List (inside) for details.



REELCRAFT INDUSTRIES, INC.
2842 East Business Hwy. 30
Columbia City, IN 46725
Phone 260-248-8188 • Fax 260-248-2605

Bulletin No. 609080.b

INSTALLATION & MAINTENANCE INSTRUCTIONS

STATIC DISCHARGE REELS

INSTALLATION

CAUTION

Be sure reel base is securely grounded to mounting surface. Check for continuity following installation. On painted surfaces, remove paint at bolt location, use external tooth lockwashers, or run ground wire from reel base to grounded object. Failure to ground will prevent reel from performing its intended function and could result in personal injury.

Mount reel to grounded, metal surface using four holes in mounting base. To minimize wear on cable and cable guide, reel should be mounted in direct line with work so that cable is pulled out as straight as possible during use. See figures 1 & 2.

Figure 1

Avoid pulling cable out of reel at an angle.

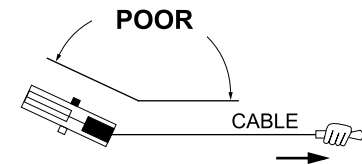
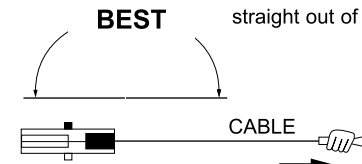



Figure 2

For best results and long cable life, mount reel so that cable can be pulled straight out of reel.



TENSION ADJUSTMENT

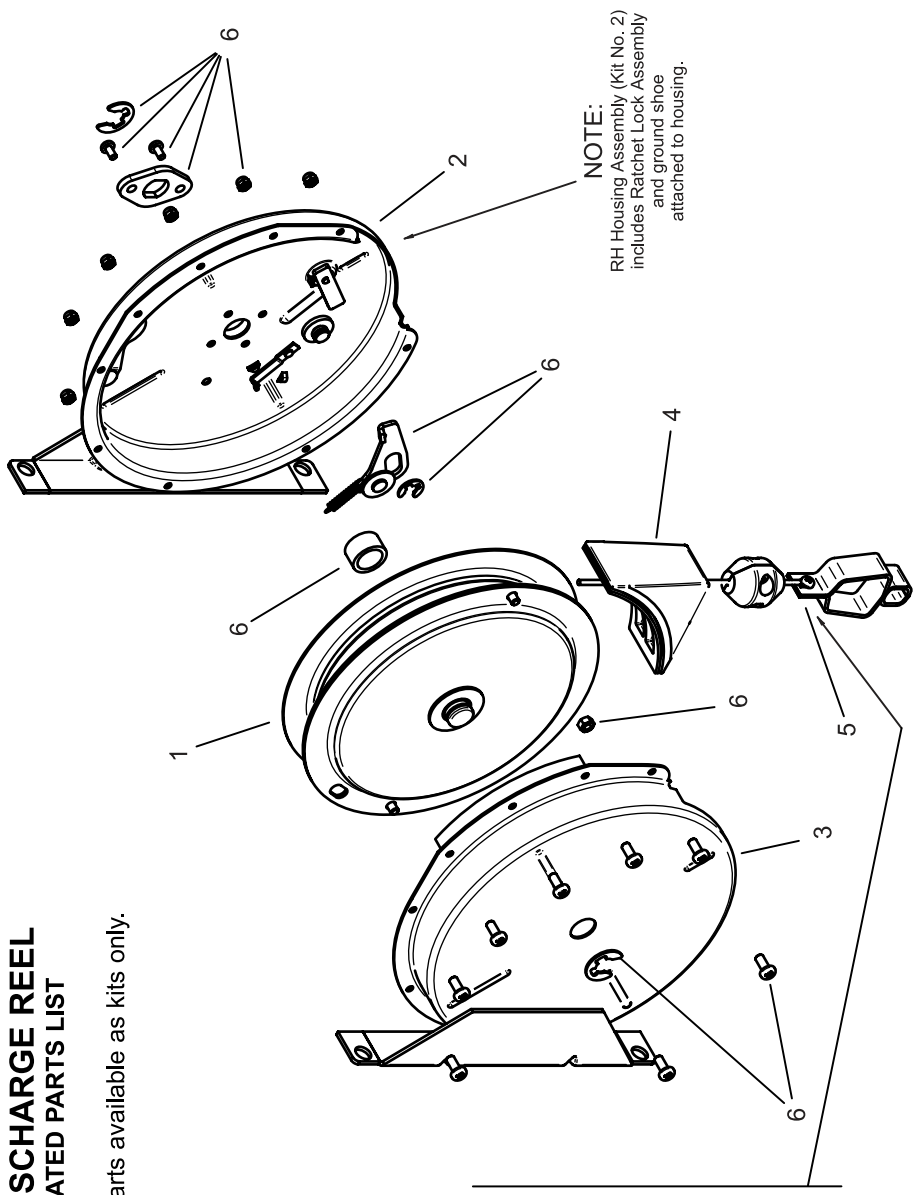
-  Never add / remove tension when the cable is extended from the reel. The cable must always be fully wound on the reel.

1. Hold shaft securely with wrench and remove 2 screws from hub.
2. Turn shaft clockwise / counter-clockwise to add / remove tension (one full turn at a time).
3. When desired tension is achieved, replace the 2 screws.

CONTINUED ON BACK PAGE 

STATIC DISCHARGE REEL ILLUSTRATED PARTS LIST

Replacement parts available as kits only.



CABLE OPTIONS (Kit Number 5)

"Y" Cable Assembly (two clips),
add -Y to the kit number.
EXAMPLE:G3050-K05-Y

Nylon covered Cable, add -N to
the kit number.
EXAMPLE:G3050-K05-N

NOTE:
RH Housing Assembly (Kit No. 2)
includes Ratchet Lock Assembly
and ground shoe
attached to housing.

STATIC DISCHARGE REEL

REPLACEMENT PARTS KITS

REFERENCE NUMBER	KIT NUMBER	KIT DESCRIPTION
1	G3050-K01	SPRING MOTOR ASS'Y: Spring Motor, Spool, Shaft & Bushings in sealed canister.
2	G3050-K02	RH HOUSING ASS'Y: RH Housing Half, Ratchet Lock Ass'y (attached to housing).
3	G3050-K03	LH HOUSING ASS'Y: LH Housing Half, Nameplate.
4	G3050-K04	CABLE GUIDE
5	G3050-K05*	CABLE ASS'Y: Cable, Grounding Clamp(s), Lockwasher-M4, Hex Nut-M4. (See notes below).
6	G3050-K06	HARDWARE PACKAGE: Spacer, Torsion Spring, Slotted Machine Screws M4 x 14mm (3), Slotted Machine Screws M4 x 8mm (6), Lockwasher-M4 (10), Hex Nut-M4 (10), Retaining Ring (3), Extension Spring, Ratchet Lock Assembly.

* For G3050-Y models with "Y" cable (two grounding clamps), order kit number G3050-K05-Y.
For G3050-N models with Nylon Covered Cable, order kit number G3050-K05-N.